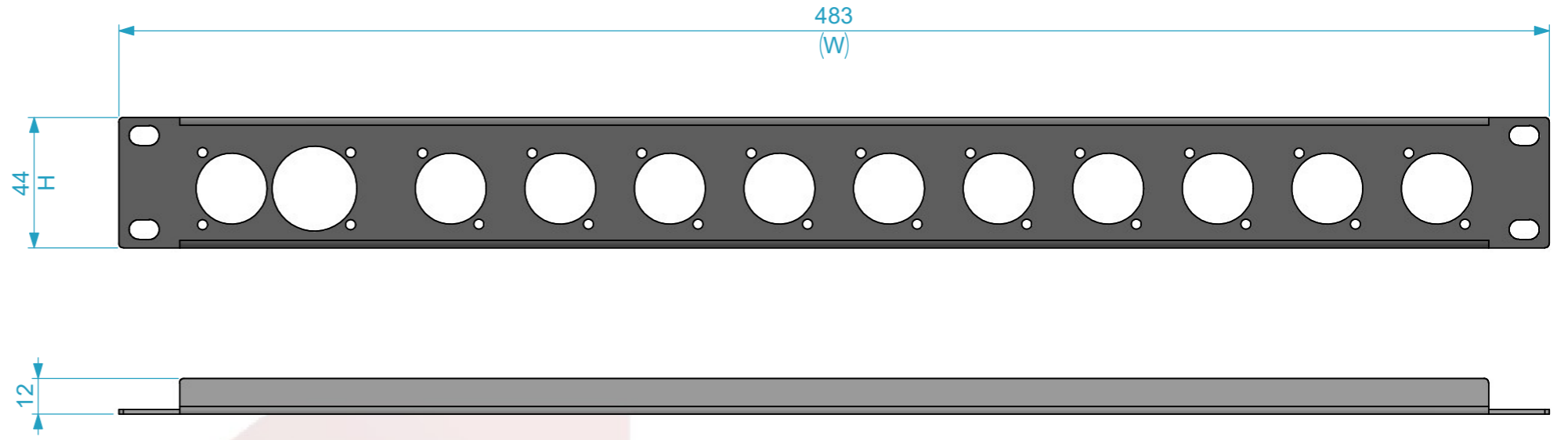


Dimensions		
Width	Depth	Height
483	12	44
Weight	Approx. 0.10 Kg	



19", U shaped Rack panel, 1U.
Epóxi-Polièster RAL 905,
electrostatic paint, fine texture.

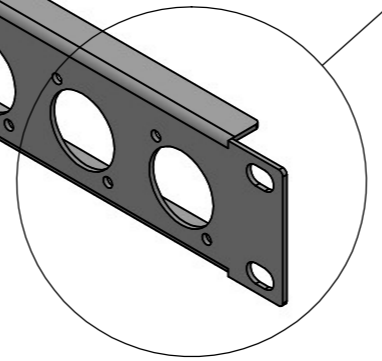
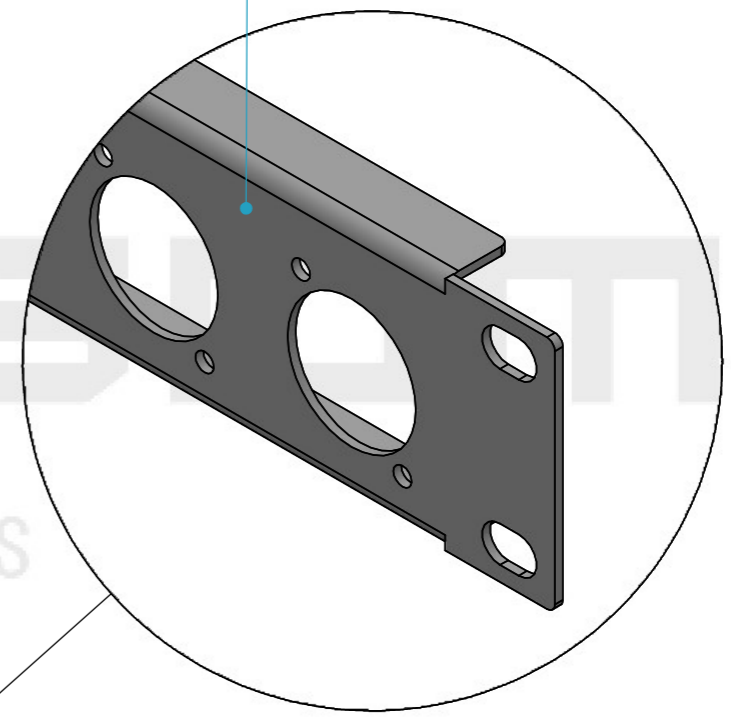
Appliance inlet-outlet
combination, 1/4" flat tab
terminals, powerCON
TRUE1 TOP with breaking
capacity (CBC).

D-Size for the
appliance of XLR
cable connectors

D-Size for the appliance of EtherCON
Series RJ45 connector system

D-Size for the appliance of Grounded BNC bulkhead,
feedthrough, grounded.
BNC-Jack/Jack BLKHD adapte 50 OHM.

UV imprint features included

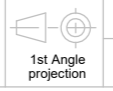


General External Dimensions	
W	Width
D	Depth
H	Height

Name	Date
alvaro.santos	09/12/2025
Reference: RKP.TR1D10.VD08	
Scale: 1:2	units in mm DO NOT SCALE
general tolerance: 0.8mm	
Painel de Rack 1U.Com impressão (PWR, OPTIC,HDMI, SDI)	



This drawing must not be copied or disclosed without consent of the owner



A3