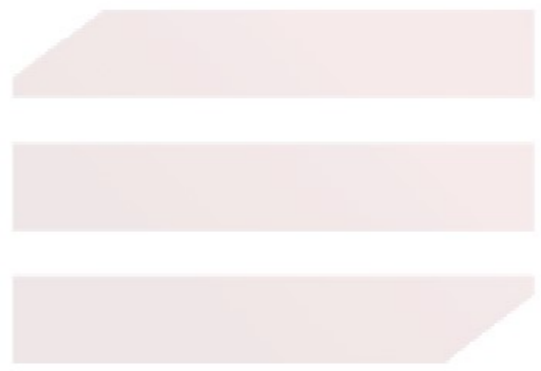
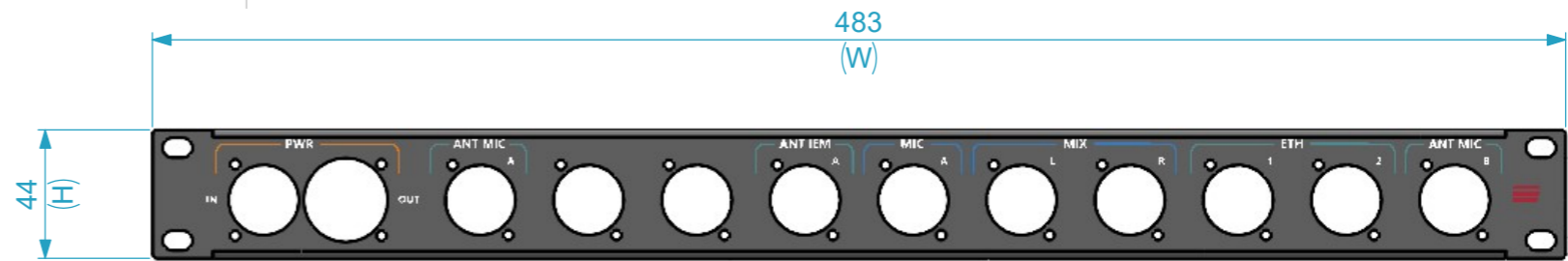
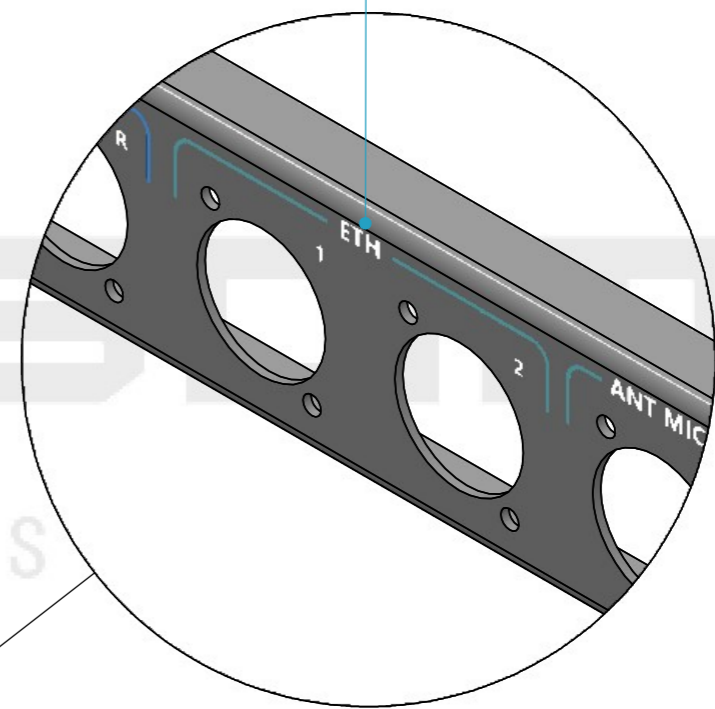


**Dimensions**

<b>Width</b>	<b>Depth</b>	<b>Height</b>
483	12	44.5
<b>Weight</b>	Approx. 0.10 Kg	



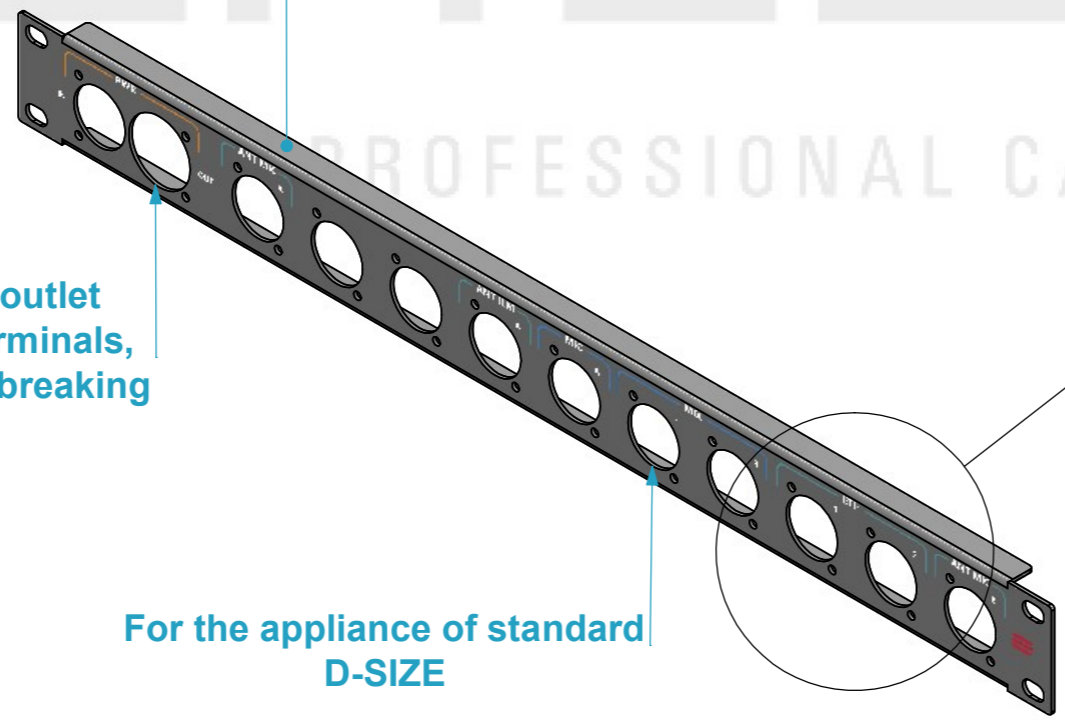
UV imprints included



19", U shaped Rack panel, 1U.  
Epóxi-Polièster RAL 905,  
electrostatic paint, fine texture.

D-size for, appliance inlet-outlet  
combination, 1/4" flat tab terminals,  
powerCON TRUE1 TOP with breaking  
capacity (CBC).

For the appliance of standard  
D-SIZE



General External Dimensions	
W	Width
D	Depth
H	Height

<b>Name</b>	alvaro.santos	<b>Date</b>	18/09/2025
<b>Reference</b>	RKP.TR1D10.MICIEM2		
<b>Scale</b>	1:2.5	<b>units in mm</b>	DO NOT SCALE
<b>general tolerance</b>	0.8mm		
<b>19" RKP 1U, PWR, MIC + IEM, ETH, BNC</b>			



This drawing must not be copied or disclosed without consent of the owner



A3