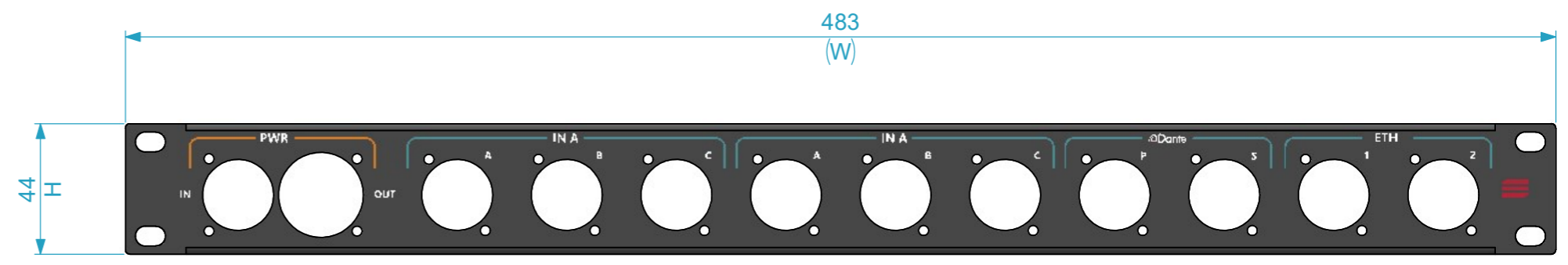


Dimensions		
Width	Depth	Height
483	12	44
Weight	Approx. 0.08 Kg	



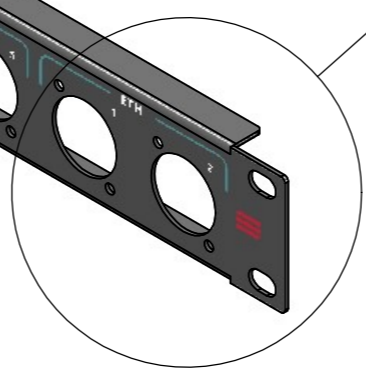
D-size for Appliance inlet-outlet combination, 1/4" flat tab terminals, powerCONTRUE1 TOP with breaking capacity (CBC).

UV imprint features included

19", U shaped Rack panel, 1U.
Epóxi-Poliéster RAL 905,
electrostatic paint, fine texture.

D-Size for the appliance of Grounded BNC bulkhead feedthrough, grounded, 50 Ohm

D-Size for the appliance of EtherCON Series RJ45 connector system, optimized for pro audio, video and lightning network applications.



General External Dimensions	
W	Width
D	Depth
H	Height

Name	alvaro.santos	
Date	23/12/2024	
Reference	RKP.TR1D10.BNC3	
Scale	1:2	units in mm
DO NOT SCALE	general tolerance	0.8mm
1st Angle projection		



This drawing must not be copied or disclosed without consent of the owner

A3

Panel de Rack 1U.Com impressão True1+10x D-Size (6x BNC+4x ETH)