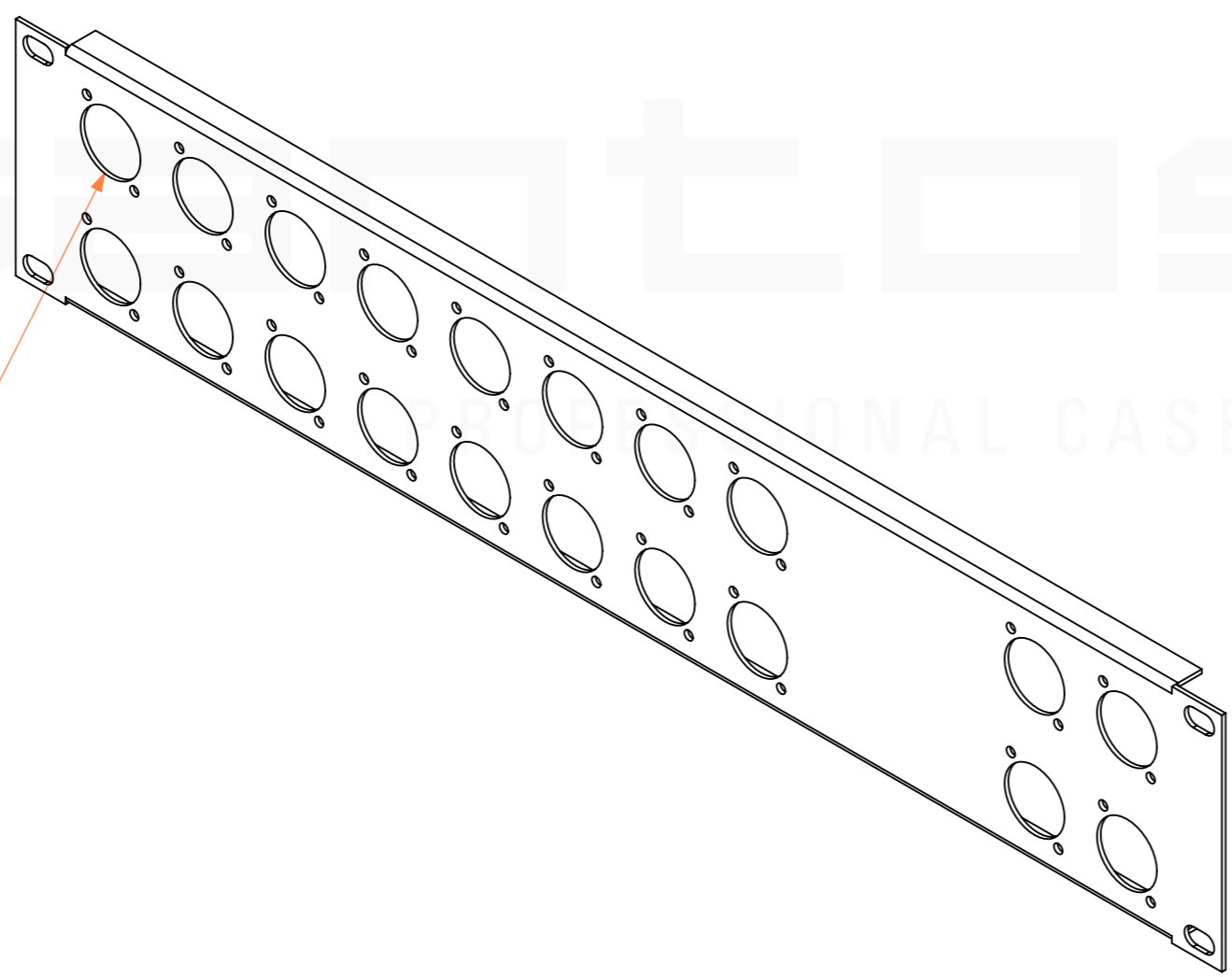
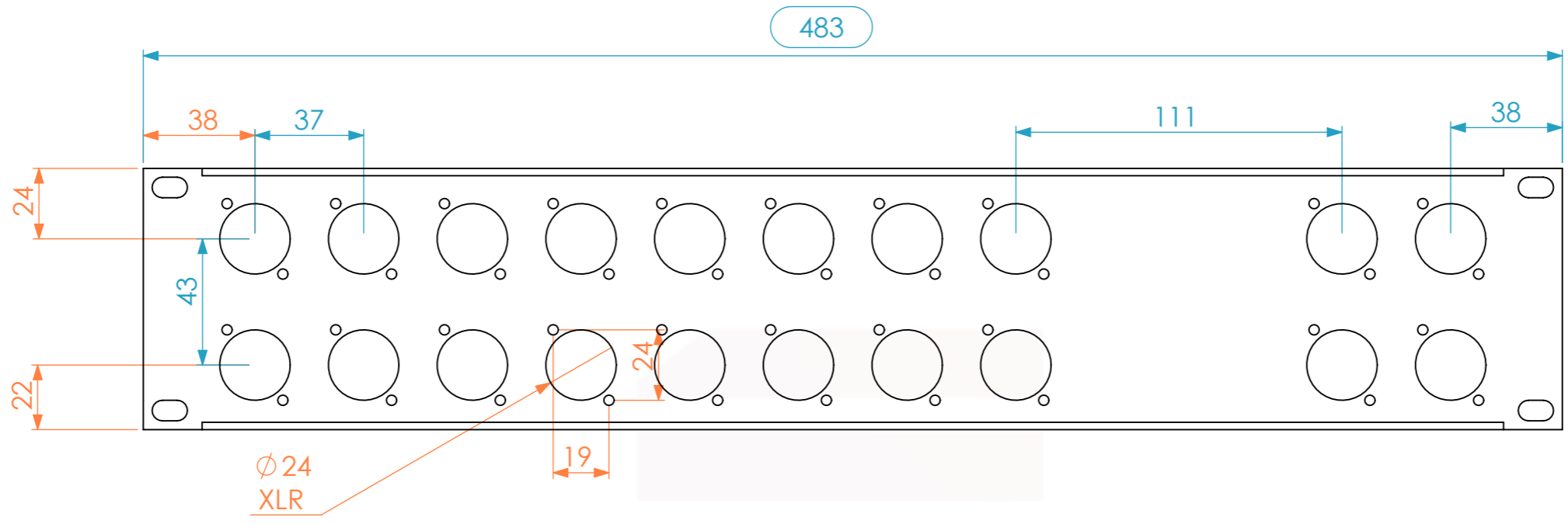


Weight	Approx. 0.05 Kg
19" Panels	2U



**20 Cutouts D-Series
Connectors: 16+4**

SANTOSOM
PROFESSIONAL CASES

Name	CarlaSilva	Date	27/09/2021
Reference	RKP.D20B		
Scale	1:2	units in mm	DO NOT SCALE
general tolerance	0.8mm		
19" RKP, 2U 20x D-SERIES			



A3 This drawing must not be copied or disclosed without consent of the owner

