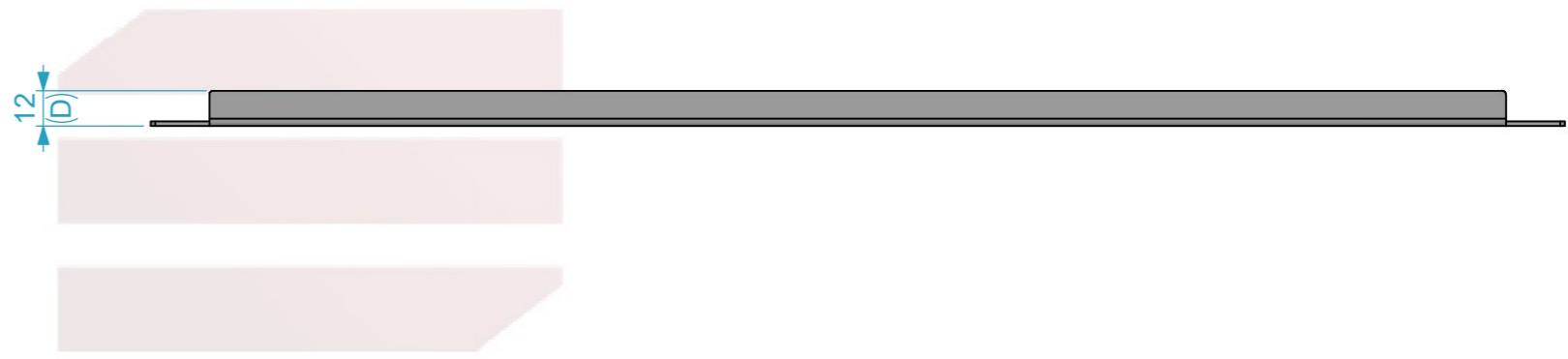
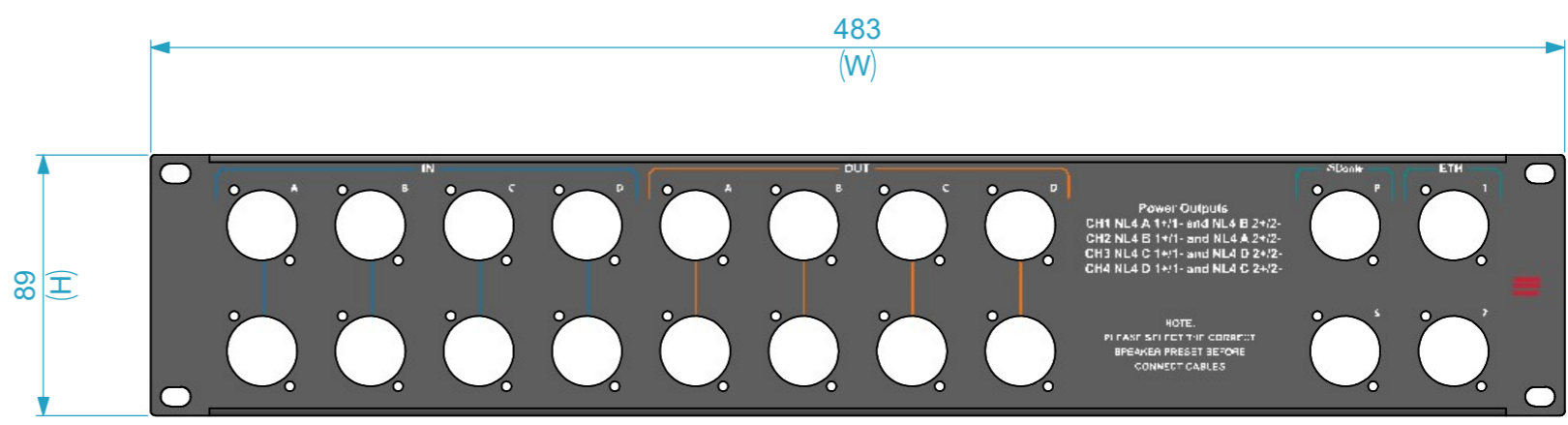
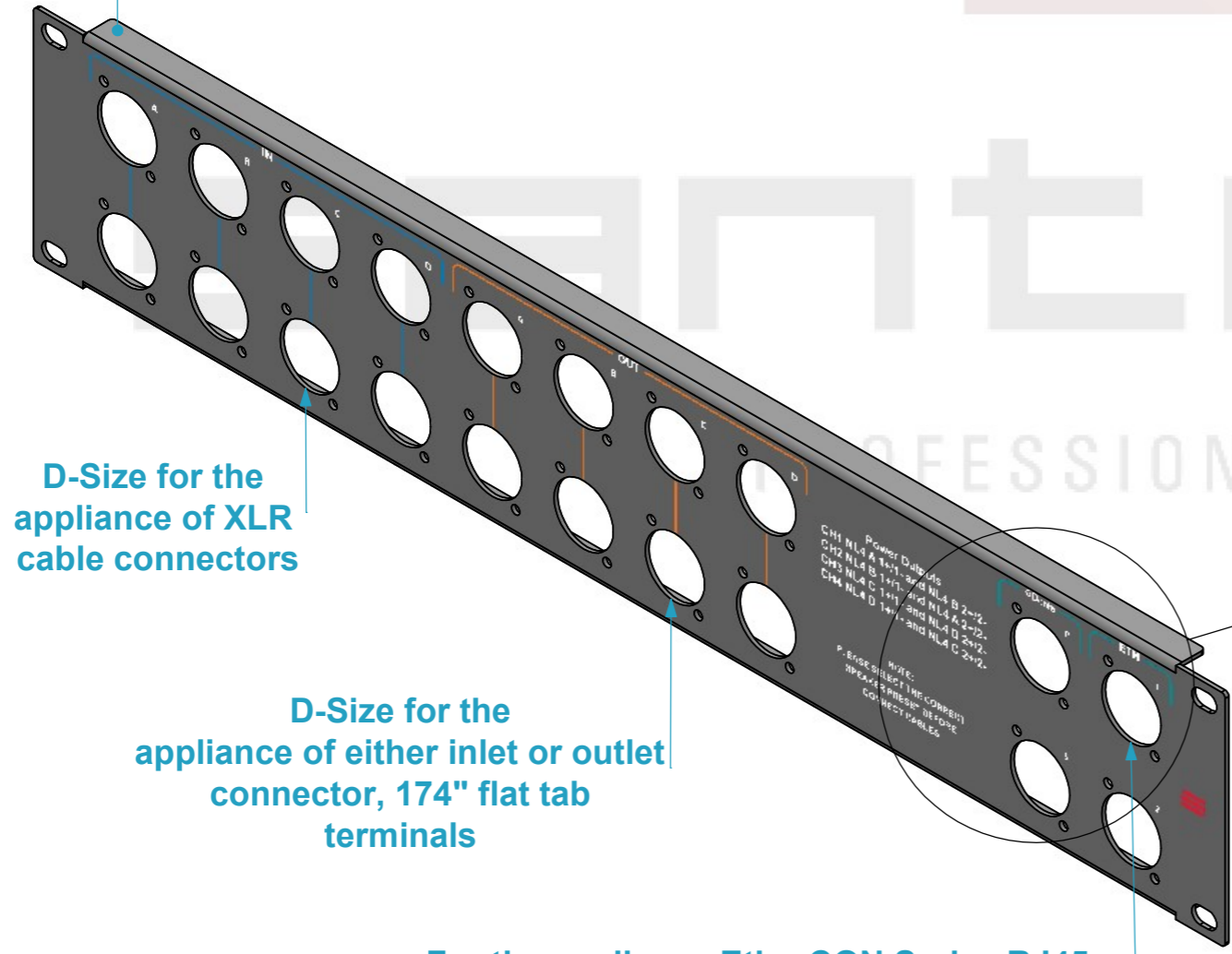


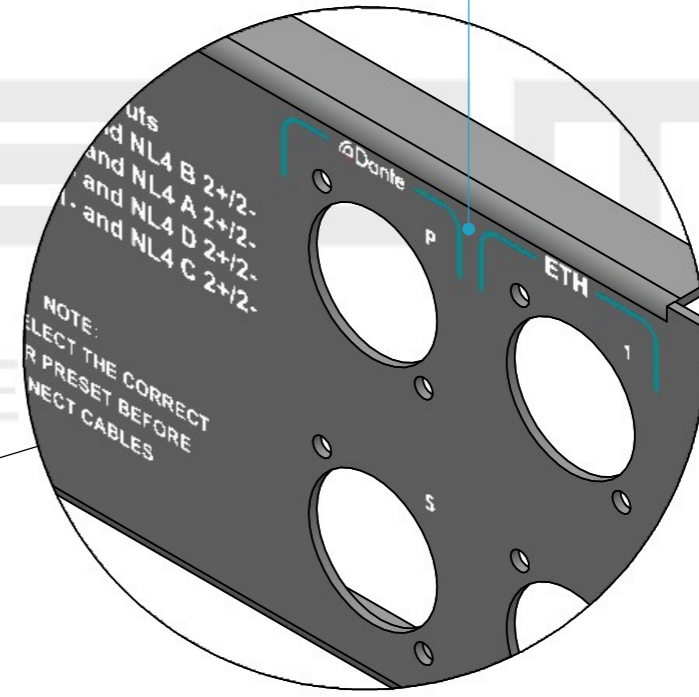
Dimensions		
Width	Depth	Height
483	12	89
Weight	Approx. 0.17 Kg	



19", U shaped Rack panel, 1U.  
Epóxi-Polièster RAL 905,  
electrostatic paint, fine texture.



UV imprint features included



General External Dimensions	
W	Width
D	Depth
H	Height

Name	alvaro.santos	
Date	05/06/2026	
Reference	RKP.D20B.NXAMP	
Scale	units in mm	general tolerance 0.8mm
1:2.5	DO NOT SCALE	
Rack Painel 2U, com impressão (Nexo NXAMP/Dante)		



This drawing must not be copied or disclosed without consent of the owner



A3