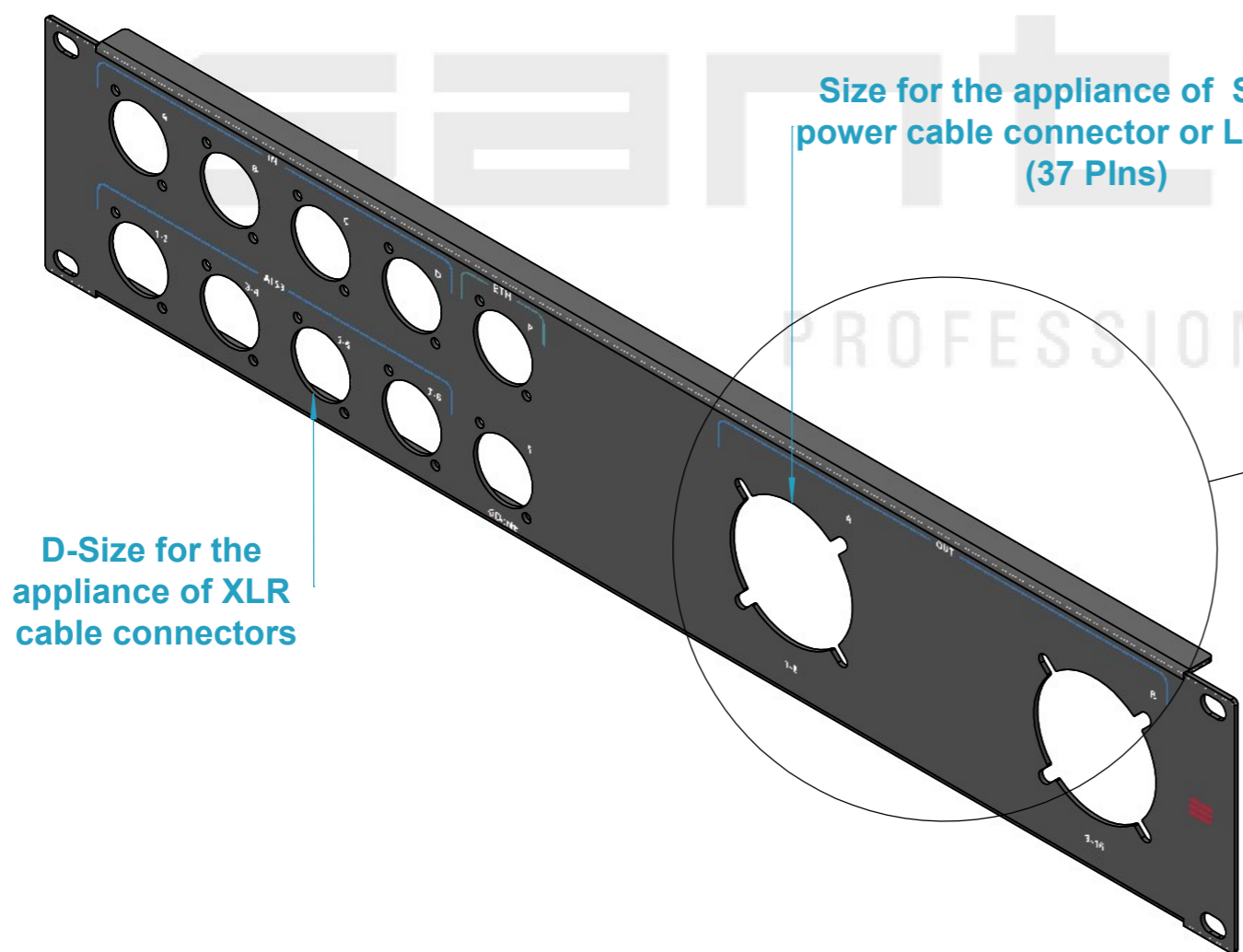
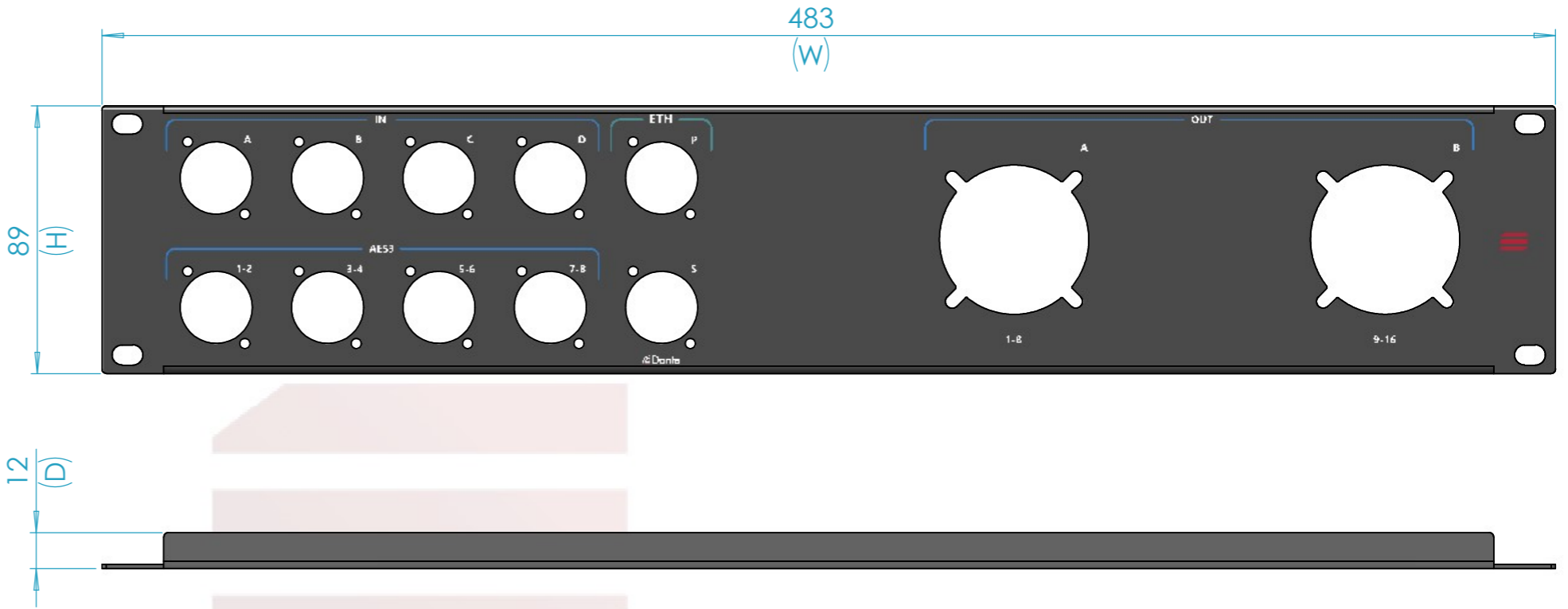
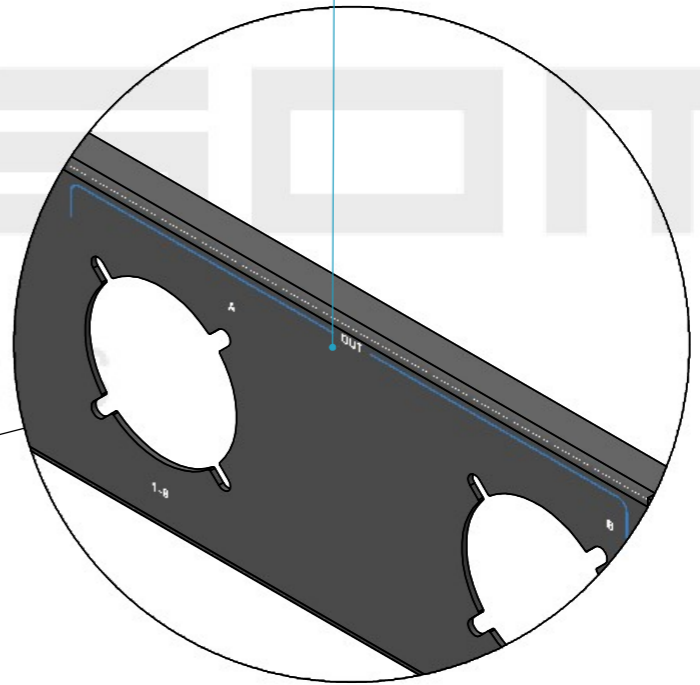


**Dimensions**

<b>Width</b>	<b>Depth</b>	<b>Height</b>
483	12	89
<b>Weight</b>	Approx. 0.2 Kg	



UV imprint features included



Drawn by	Name	Date
alvaro.santos	alvaro.santos	12/06/2024
Reference	RKP.D10SC2.AMP116	
Scale	units in mm	general tolerance
1:2	DO NOT SCALE	0.8mm
1st Angle projection	Panel de Rack 2U. Com Impressão (4IN,4DIN,2ETH,2SC2)	



This drawing must not be copied or disclosed without consent of the owner

A3