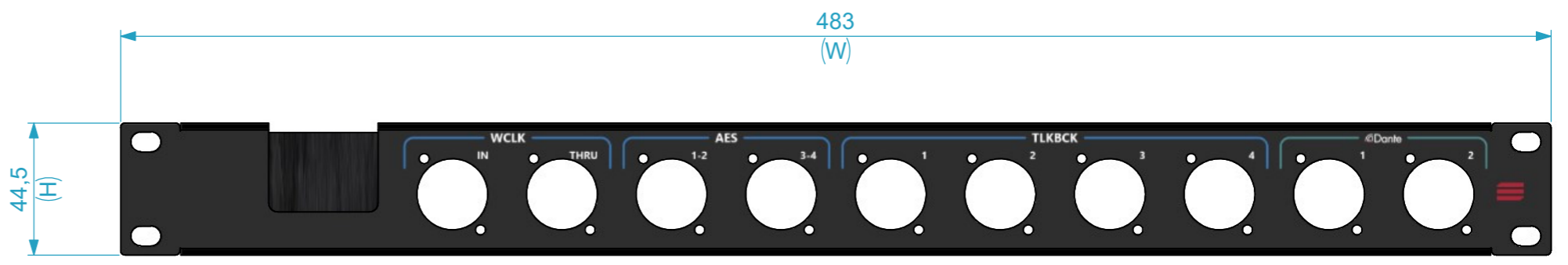


Dimensions		
Width	Depth	Height
483	12	44.5
Weight	Approx. 0.25 Kg	



19", U shaped Rack panel, 1U.  
Epóxi-Polièster RAL 905,  
electrostatic paint, fine texture.

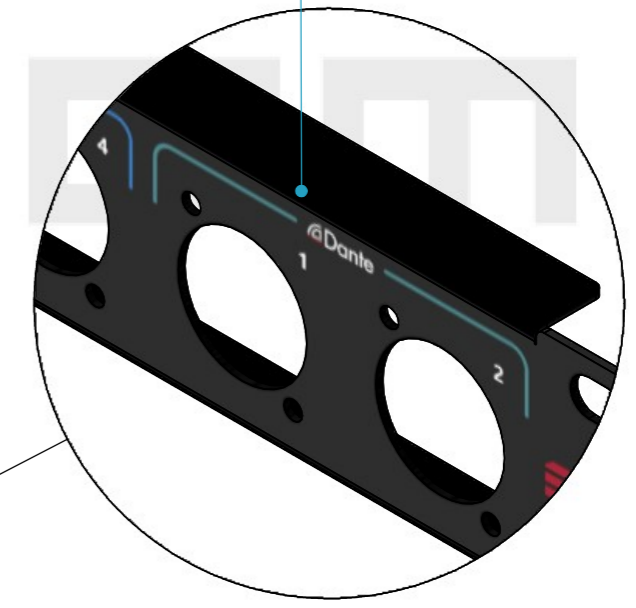
High durability anti dust brush strip  
synthetic, anti-static

Multicolour UV imprint features.

For the appliance of grounded BNC  
bulkhead for panel mount,  
feedthrough, grounded.  
BNC-JACK/JACK BLKHD ADAPTE  
50 OHM.

D-Size for the  
applienc of XLR  
cable connectors

D-size for Appliance EtherCON Series  
RJ45 connector system.



General External Dimensions	
W	Width
D	Depth
H	Height

Name	Date
alvaro.santos	11/05/2026
Reference: RKP.D10BRU.AESTLK4	
Scale: 1:2	units in mm DO NOT SCALE
general tolerance: 0.6mm	
1st Angle projection	



This drawing must not be copied or disclosed without consent of the owner

A3

Panel de Rack 1U, com impressão [WCLK 1-2, AES 1-4, TLKBCK 1-4, DANTE 1-2]