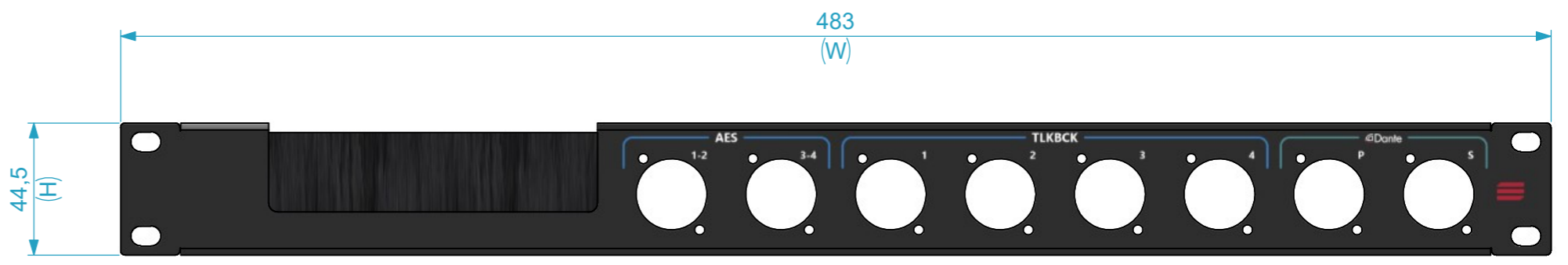


Dimensions		
Width	Depth	Height
483	12	44.5
Weight	Approx. 0.23 Kg	



19", U shaped Rack panel, 1U.
Epóxi-Polièster RAL 905,
electrostatic paint, fine texture.

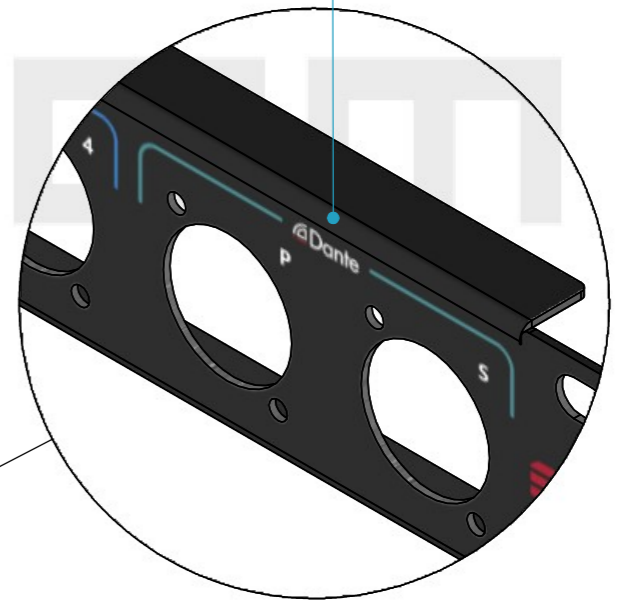
Multicolour UV imprint features.

High durability anti dust brush strip
synthetic, anti-static

For the appliance of grounded BNC
bulkhead for panel mount,
feedthrough, grounded.
BNC-JACK/JACK BLKHD ADAPTE
50 OHM.

D-Size for the
applianc of XLR
cable connectors

D-size for Appliance EtherCON Series
RJ45 connector system.



General External Dimensions	
W	Width
D	Depth
H	Height

Name	Date
alvaro.santos	15/05/2026
Reference: RKP.D08BRU.TLK4	
Scale: 1:2	units in mm DO NOT SCALE
general tolerance: 0.6mm	
1st Angle projection	
Panel de Rack 1U, com impressão (AES 1-4, TLKBACK 1-4, DANTE P-S)	



This drawing must not be copied or disclosed without consent of the owner

A3