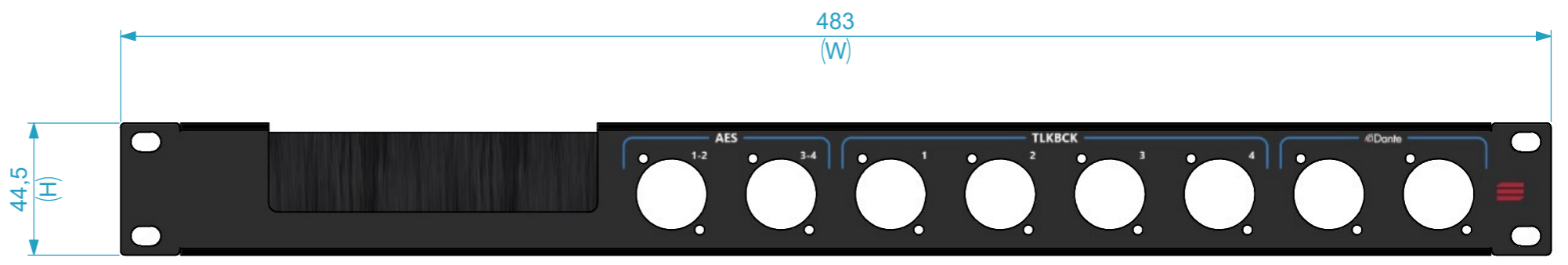


Dimensions		
Width	Depth	Height
483	12	44.5
Weight	Approx. 0.23 Kg	



19", U shaped Rack panel, 1U.
Epóxi-Polièster RAL 905,
electrostatic paint, fine texture.

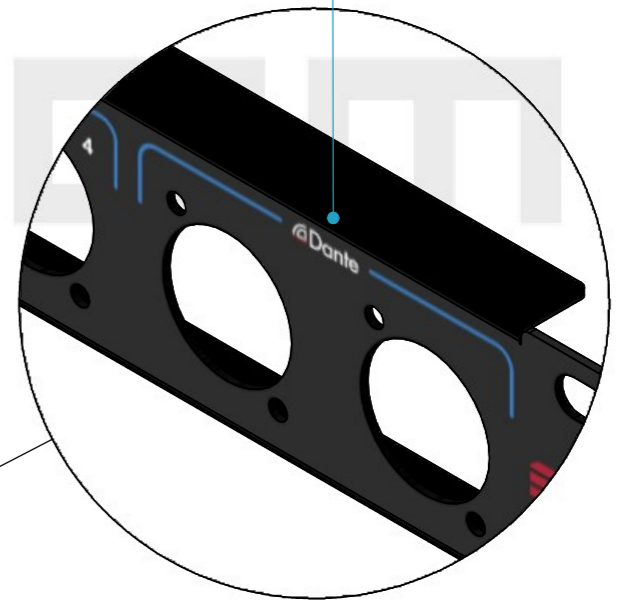
Multicolour UV imprint features.

High durability anti dust brush strip
synthetic, anti-static

For the appliance of grounded BNC
bulkhead for panel mount,
feedthrough, grounded.
BNC-JACK/JACK BLKHD ADAPTE
50 OHM.

D-Size for the
appliance of XLR
cable connectors

D-size for Appliance EtherCON Series
RJ45 connector system.



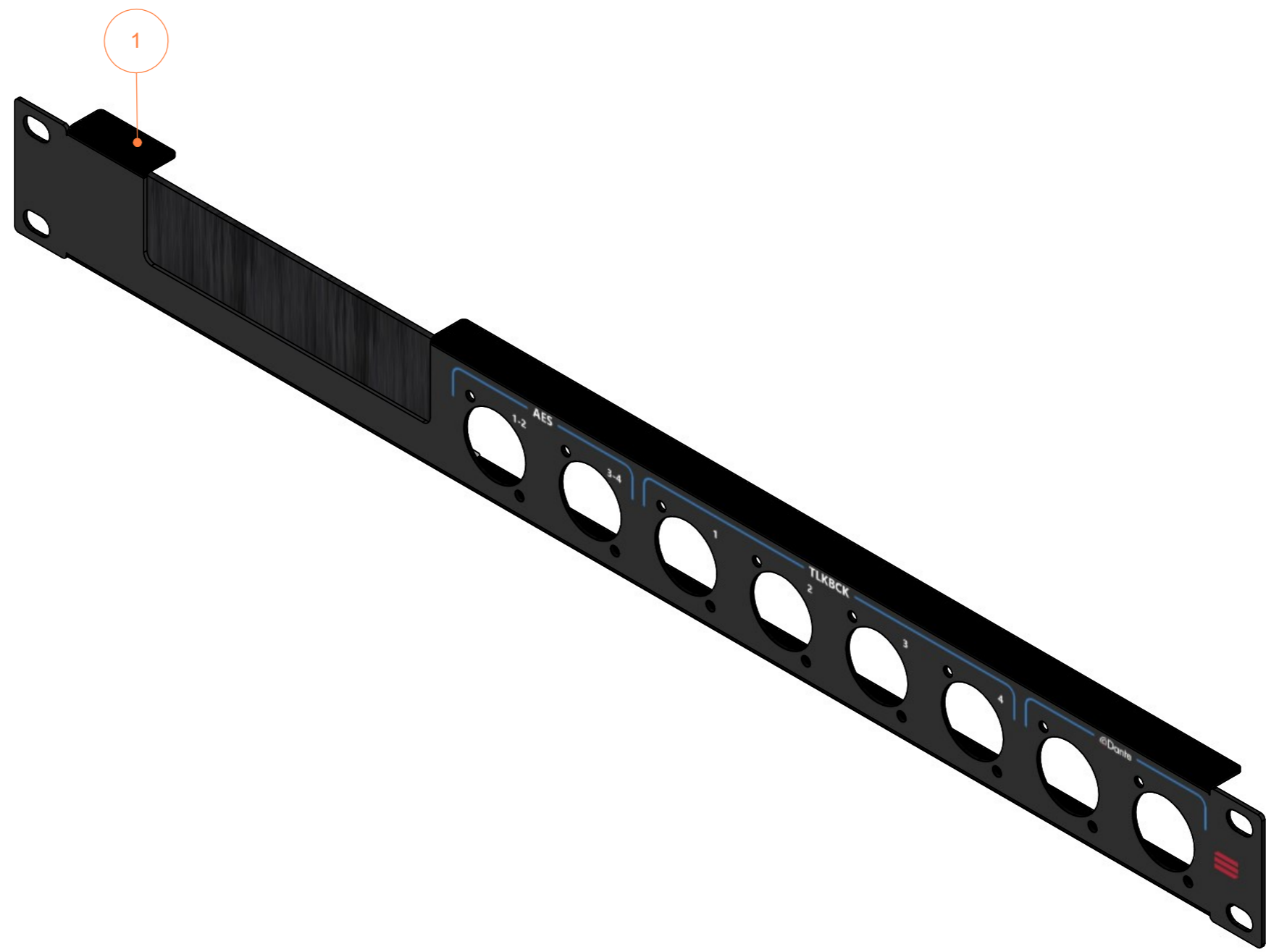
General External Dimensions	
W	Width
D	Depth
H	Height

Name	Date
alvaro.santos	01/05/2026
Reference: RKP.D08BRU.AESTLK4	
Scale: 1:2	units in mm DO NOT SCALE
general tolerance: 0.6mm	
1st Angle projection	
Panel de Rack 1U, com impressão (AES 1-4, TLKBCK 1-4, DANTE 1-2)	



This drawing must not be copied or disclosed without consent of the owner

A3



Lista de Componentes

Item nº	Quant.	Descrição	Ref.
1	1	Painel de Rack 1U com escova, 8x D-Size	RKP.D08BRU

This drawing must not be copied or disclosed without consent of the owner	Drawn by	alvaro.santos	Date	01/05/2026
	Reference	RKP.D08BRU.AESTLK4		
1st Angle projection	Scale	units in mm	general tolerance	
	1:1.5	DO NOT SCALE	0.8mm	
	Painel de Rack 1U, com impressão (AES 1-4, TLKBC 1-4, DANTE 1-2)			

