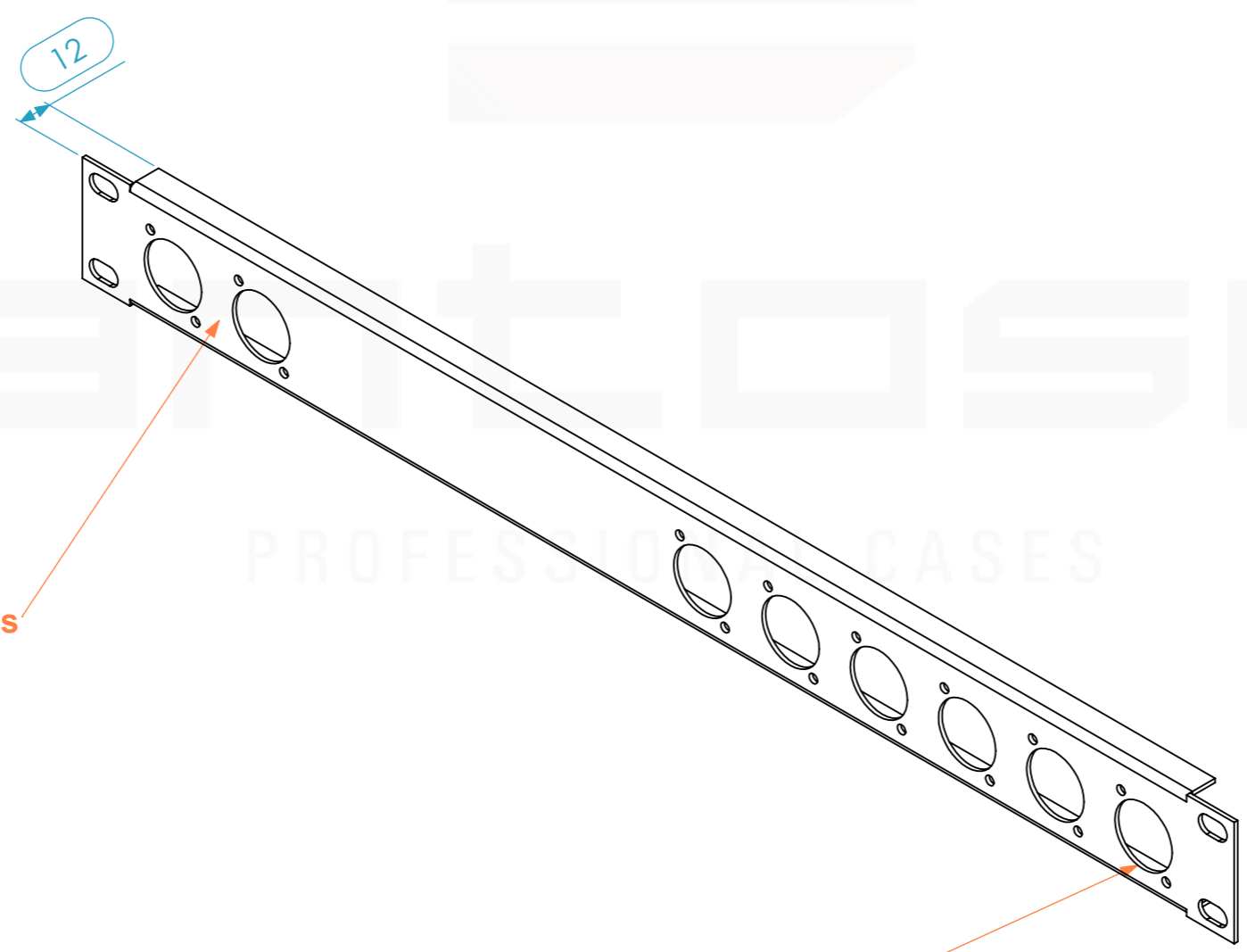
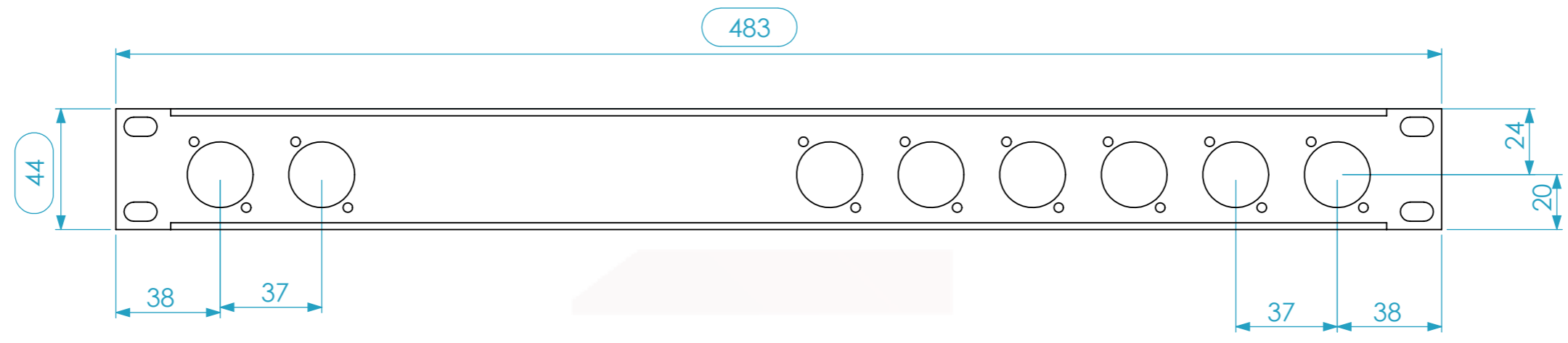


Weight	Approx. 0.03 Kg
19" Panels	1U



2x Cutouts D-Series

6x Cutouts D-Series

Name	Date
CarlaSilva	10/05/2021
Reference	RKP.D08A
Scale	1:2
units in mm	general tolerance 0.8mm
DO NOT SCALE	
19" RKP, 1U 4+6 D-SERIES	



This drawing must not be copied or disclosed without consent of the owner



A3