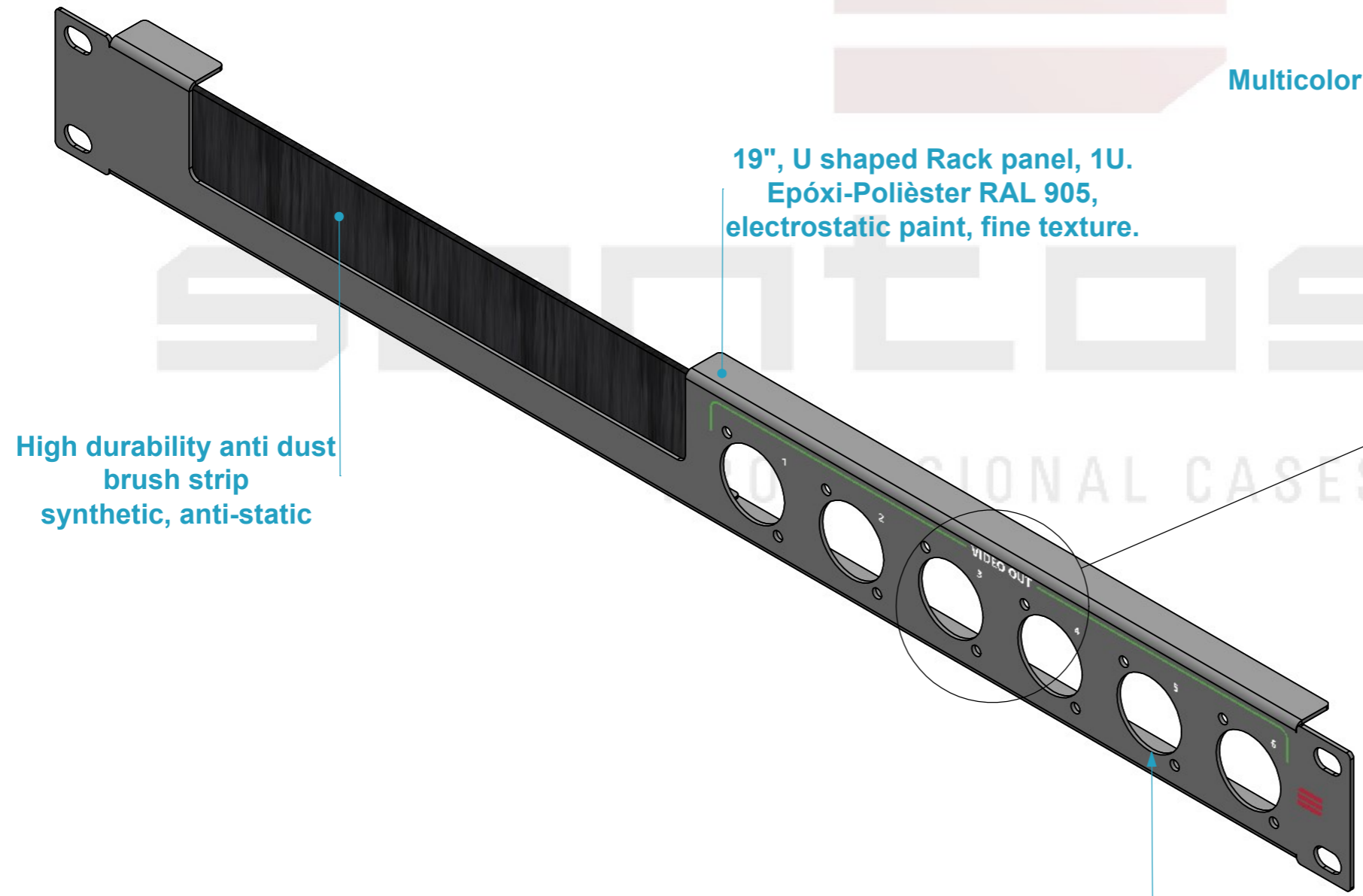
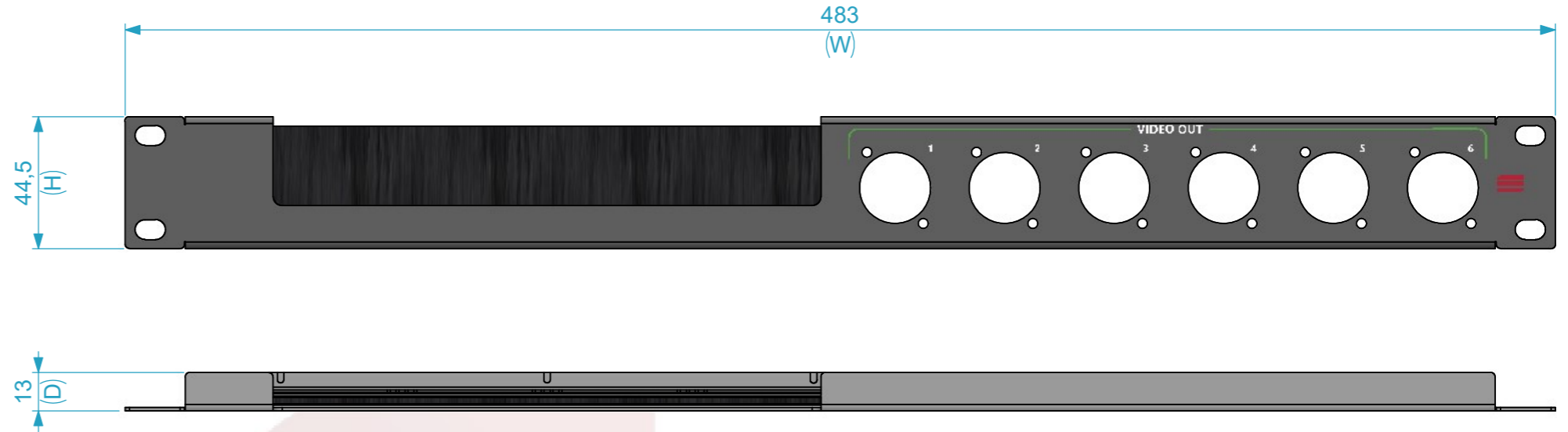
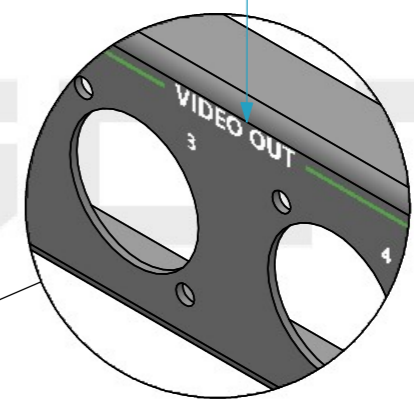


Dimensions		
Width	Depth	Height
483	13	44.5
Weight	Approx. 0.22 Kg	



19", U shaped Rack panel, 1U.  
Epóxi-Polièster RAL 905,  
electrostatic paint, fine texture.

Multicolor UV printed features included.



D-Size for the appliance of EtherCON Series RJ45 connector system.

General External Dimensions	
W	Width
D	Depth
H	Height

Drawn by	Name	Date
alvaro.santos	alvaro.santos	27/04/2026
Reference	RKP.D06BRU.ETH	
Scale	units in mm	general tolerance
1:2	DO NOT SCALE	0.8mm
Painel de Rack 1U, com impressão (ETH 1-2 / TALK 1-4)		



This drawing must not be copied or disclosed without consent of the owner



A3