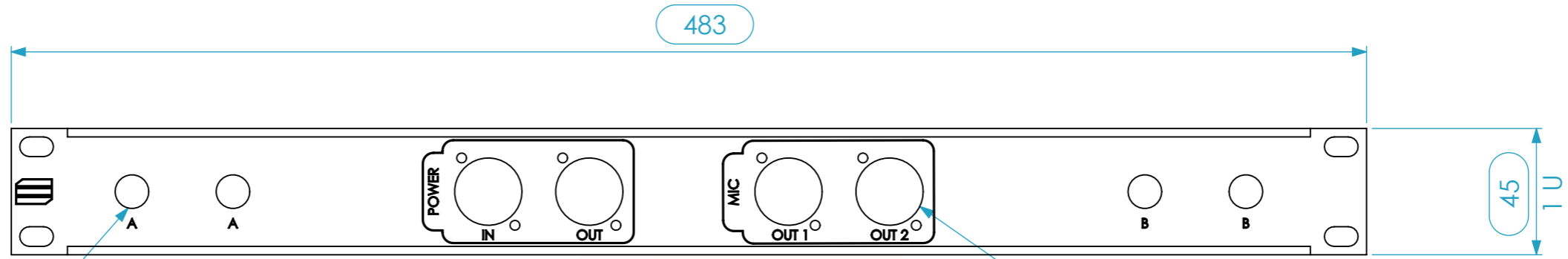
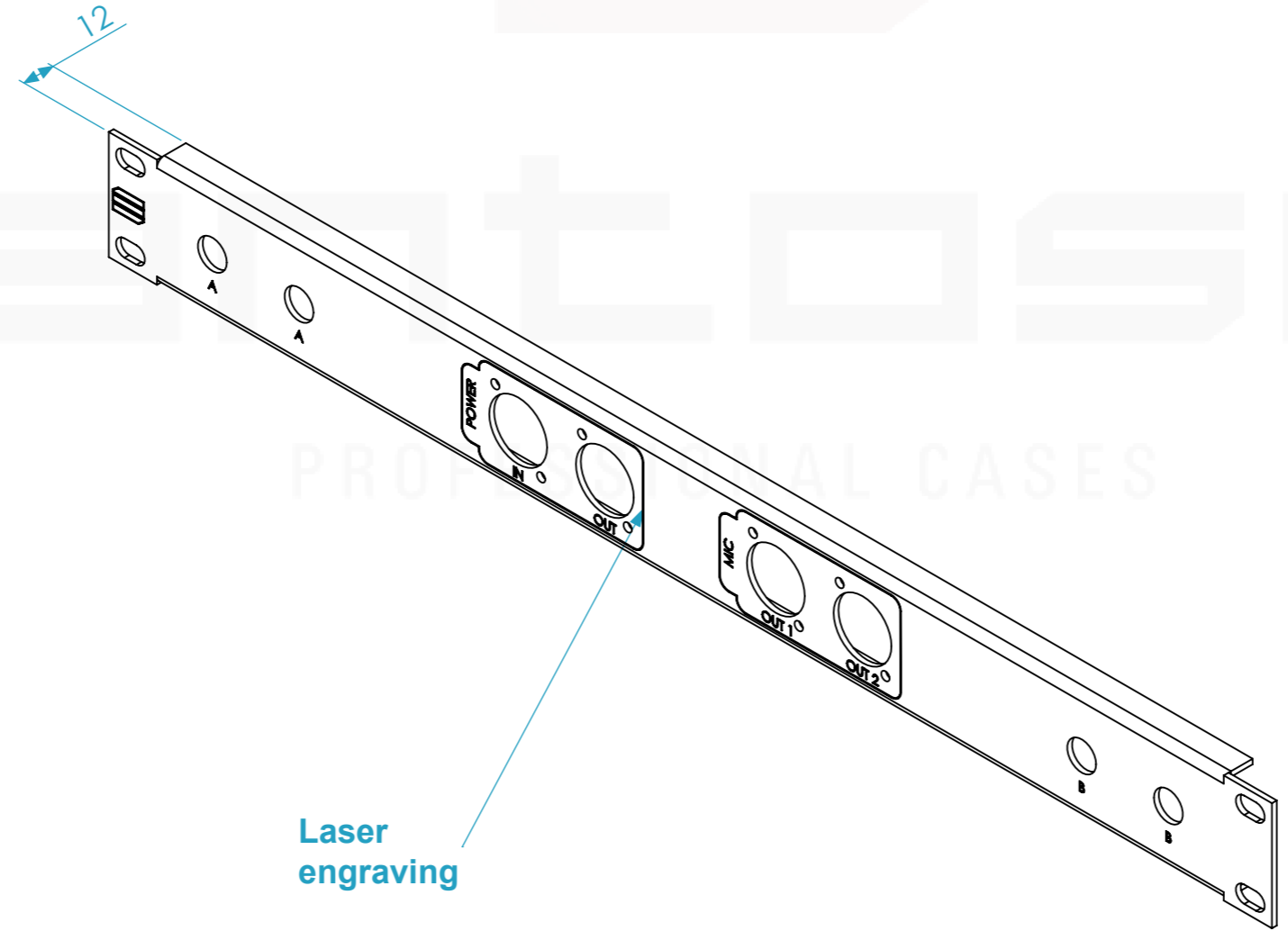


Weight	Approx. 0.13 Kg
19" Panel	1 U



4x Cutouts
BNC Series
Connectors:
2+2

4x Cutouts
D-Series
Connectors:
2+2



Laser engraving

Hardware		
Qty	Ref.	Description
1	87221.08C	19" Rack panel 1U Machined for 4x D-Series + 4 BNC

Drawn by	Name	Date
CarlaSilva	CarlaSilva	12/09/2018
Reference	RKP.08.L03	
Scale	units in mm	general tolerance
1:2	DO NOT SCALE	0.8mm
19" RKP LASER, 1U 2+2 D-SERIES + 2+2 BNC SERIES		



This drawing must not be copied or disclosed without consent of the owner



A3