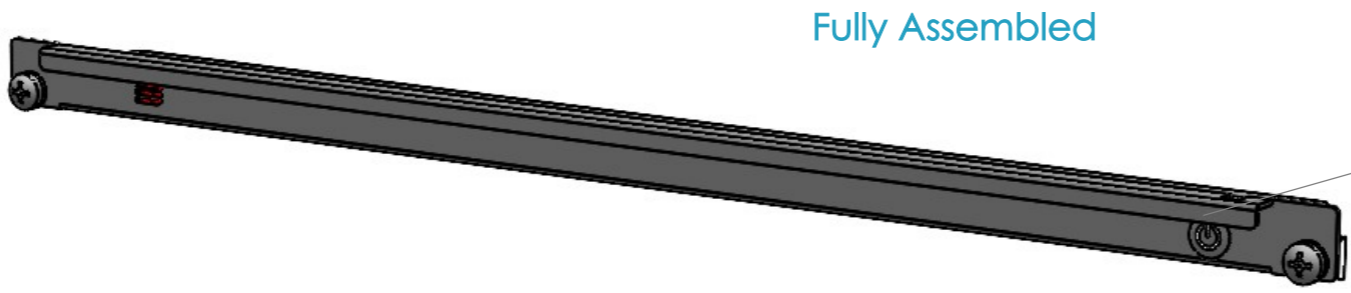
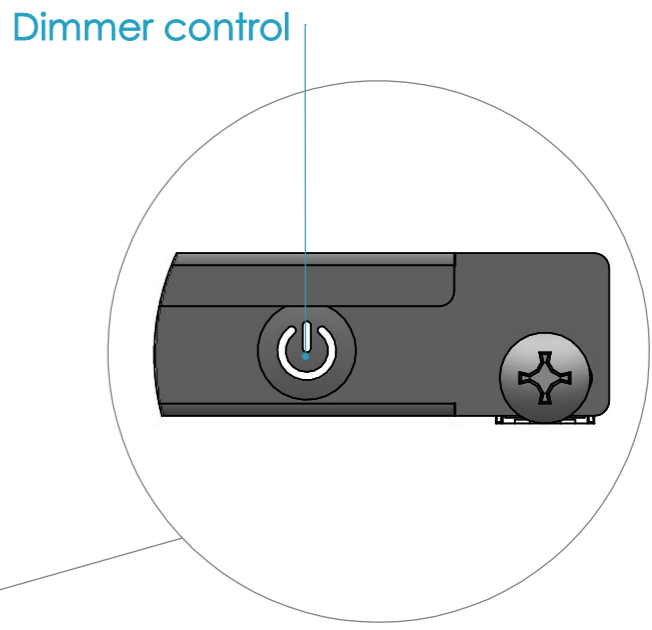
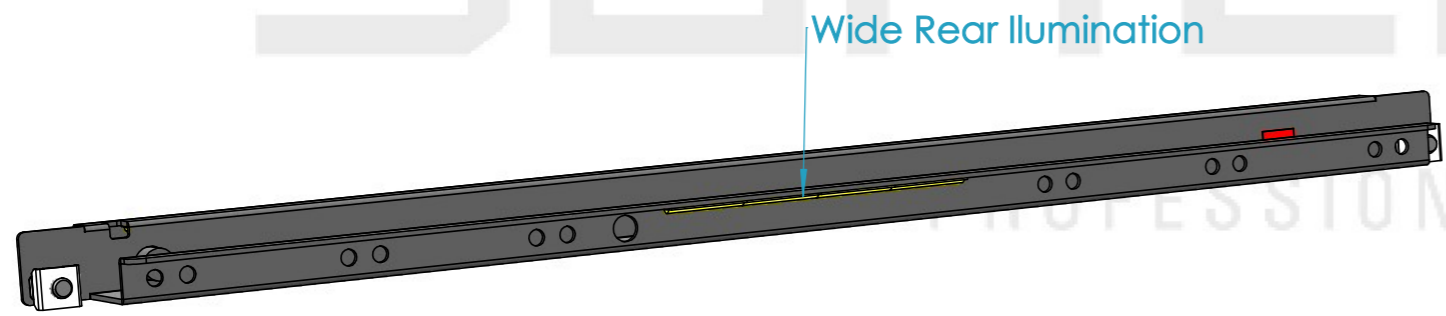
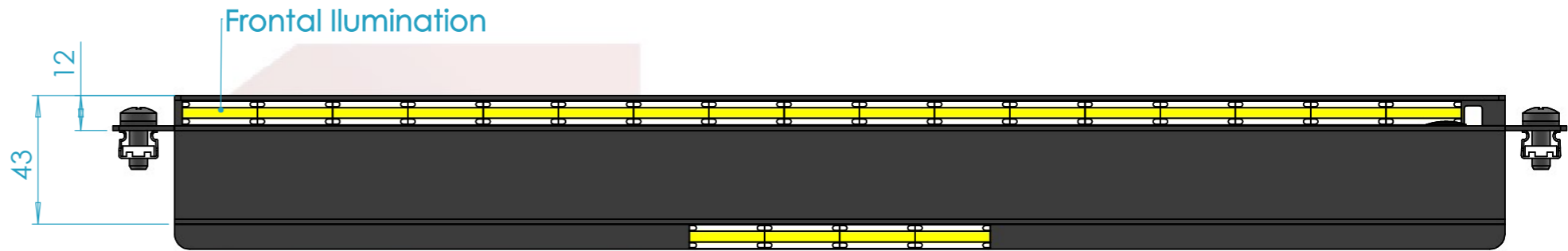
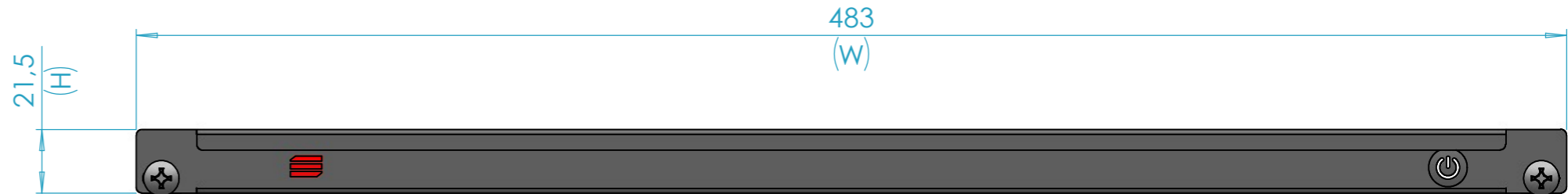


Dimensions

Width	Depth	Height
483	43	21.5
Weight	Approx. 0.2 Kg	



SANTOSOM
PROFESSIONAL CASES

Drawn by	Name	Date
alvaro.santos	alvaro.santos	20/08/2025
Reference	RKL.104	
Scale	units in mm	general tolerance
1:2	DO NOT SCALE	0.6mm
1st Angle projection	Iluminador de Rack, 1/2U meia unidade.	

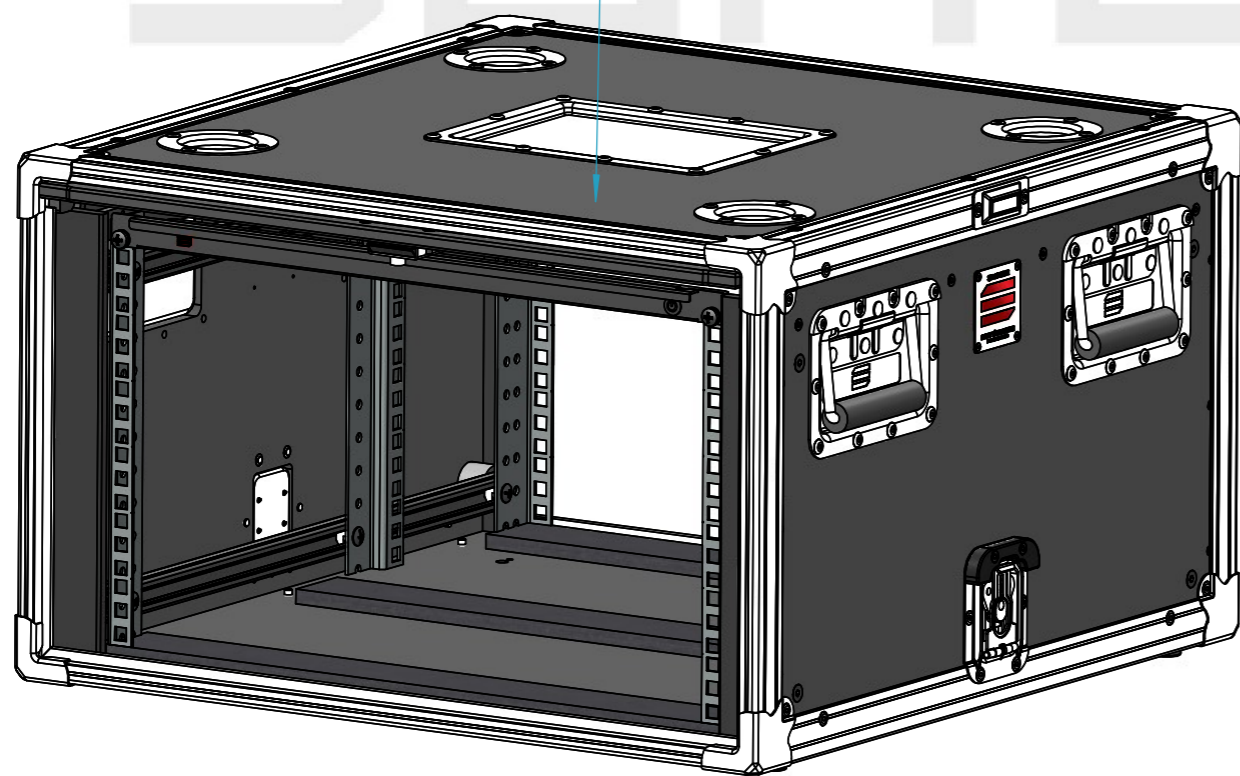
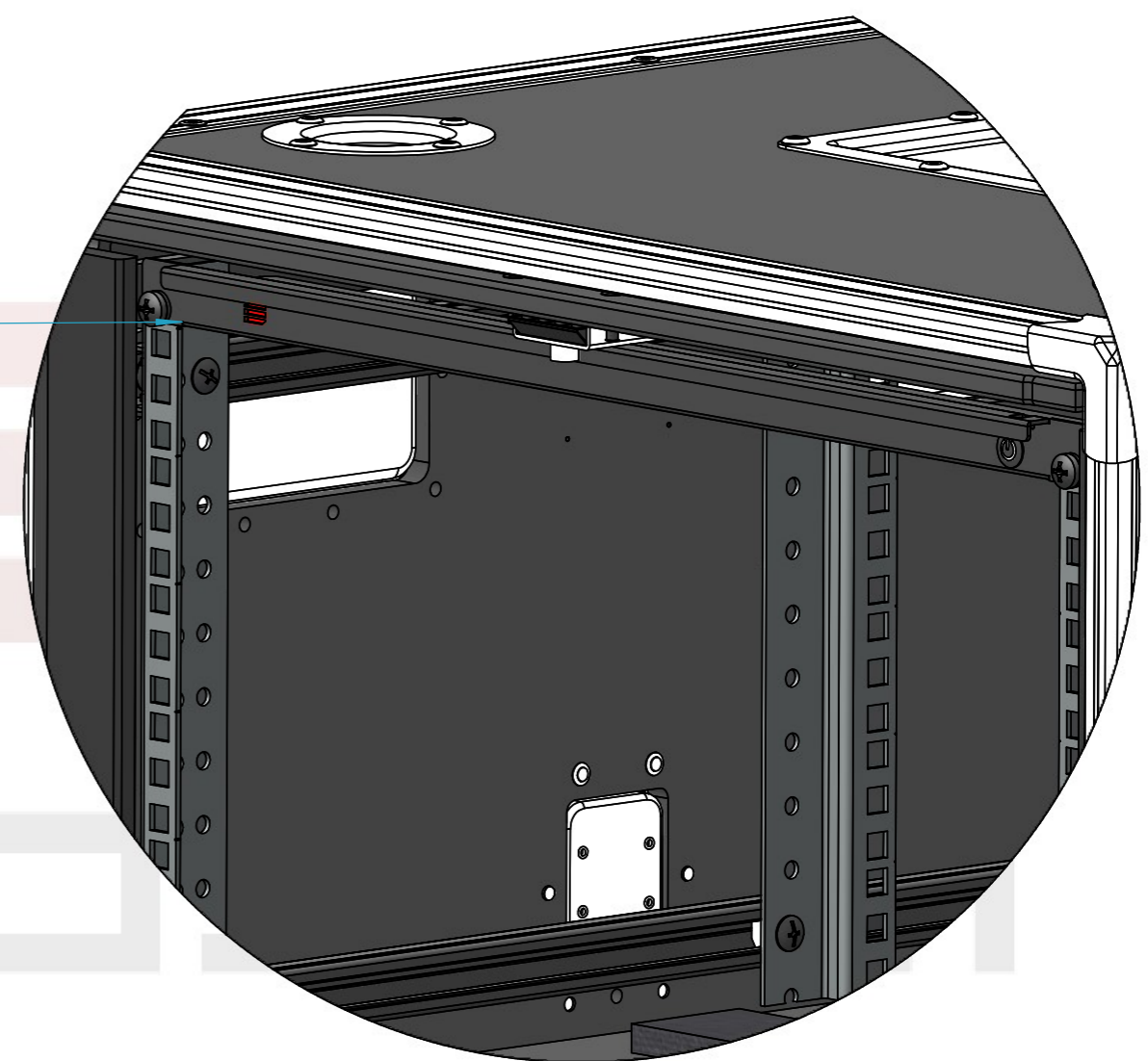


This drawing must not be copied or disclosed without consent of the owner

A3

Half unit Rack Light
(dimmable)

Suitable for any 19" Rack
Frontal or Back
Assemblage



A3 This drawing must not be copied or disclosed without consent of the owner

Drawn by	Name	Date
alvaro.santos	alvaro.santos	20/08/2025
Reference	RKL.104	
Scale	units in mm	general tolerance
1:5	DO NOT SCALE	0.8mm
1st Angle projection	Iluminador de Rack, 1/2U meia unidade.	

