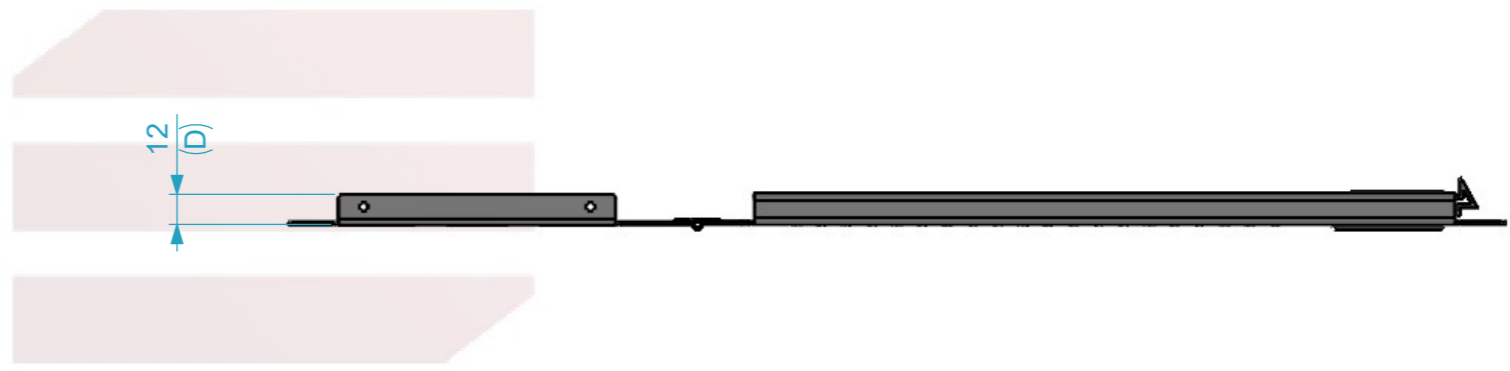
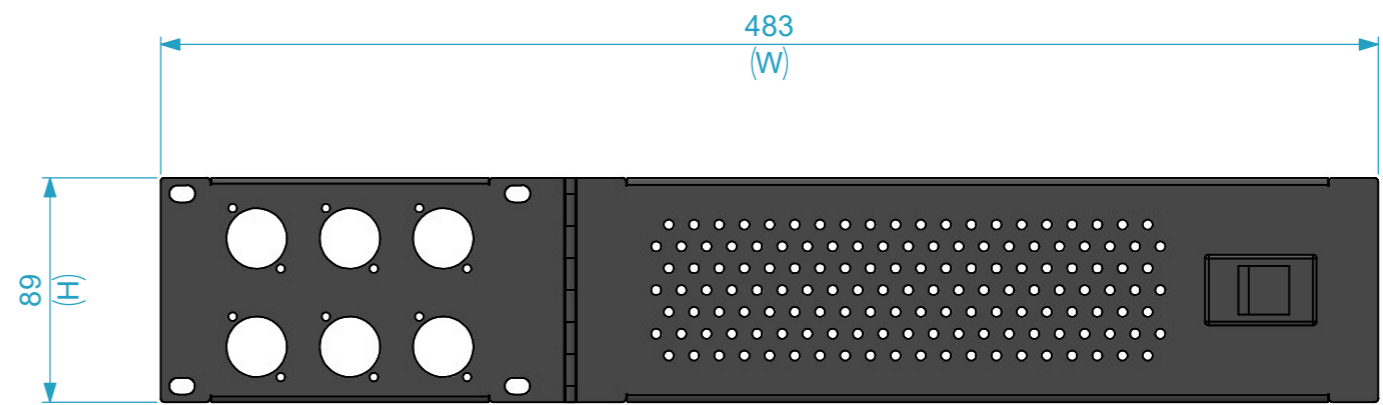


| Dimensions | | |
|------------|-----------------|--------|
| Width | Depth | Height |
| 483 | 12 | 89 |
| Weight | Approx. 0.23 Kg | |

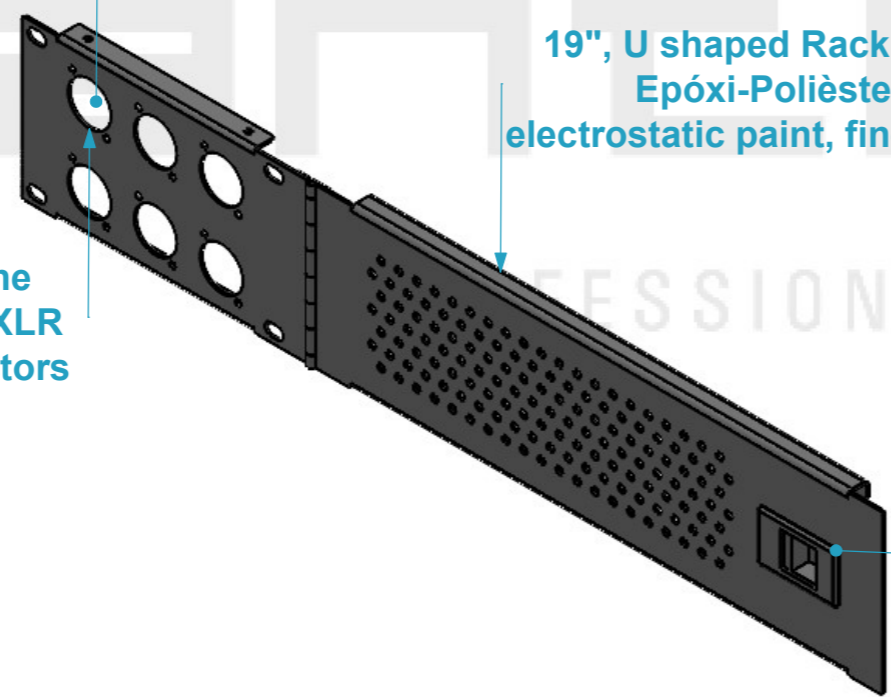


For the appliance of inlet-outlet combination, 1/4" flat tab terminals, powerCONTRUE1 TOP with breaking capacity (CBC).

SANTOSOM

19", U shaped Rack panel, Epóxi-Polièster, electrostatic paint, fine texture.

D-Size for the appliance of XLR cable connectors



Black press lock fastening

| General External Dimensions | |
|-----------------------------|--------|
| W | Width |
| D | Depth |
| H | Height |

| | | |
|-------------------------------|---------------|-------------------|
| Drawn by | Name | Date |
| alvaro.santos | alvaro.santos | 08/07/2025 |
| Reference | RKD.D03 | |
| Scale | units in mm | general tolerance |
| 1:3 | DO NOT SCALE | 0.8mm |
| Painel perfurado com porta IU | | |



This drawing must not be copied or disclosed without consent of the owner



A3