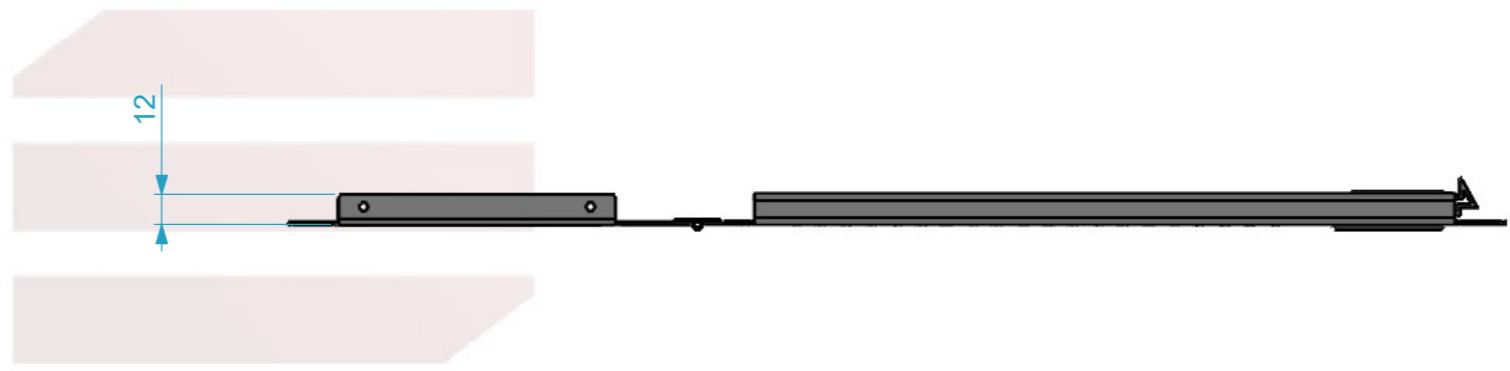
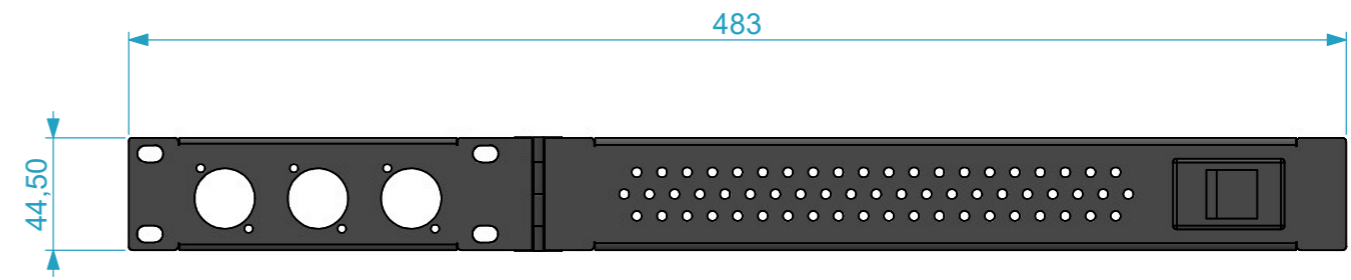


Dimensions		
Width	Depth	Height
483	12	44.5
FC Weight	Approx. 0.14 Kg	



For the appliance of inlet-outlet combination, 1/4" flat tab terminals, powerCONTRUE1 TOP with breaking capacity (CBC).

santosom

19", U shaped Rack panel, Epóxi-Polièster, electrostatic paint, fine texture.

D-Size for the appliance of XLR cable connectors



Press lock fastening

General External Dimensions	
W	Width
D	Depth
H	Height

Drawn by	alvaro.santos	Date	08/07/2025
Reference	RKD.D03		
Scale	1:3	units in mm	DO NOT SCALE
		general tolerance	0.8mm
Painel perfurado com porta IU			



This drawing must not be copied or disclosed without consent of the owner



A3