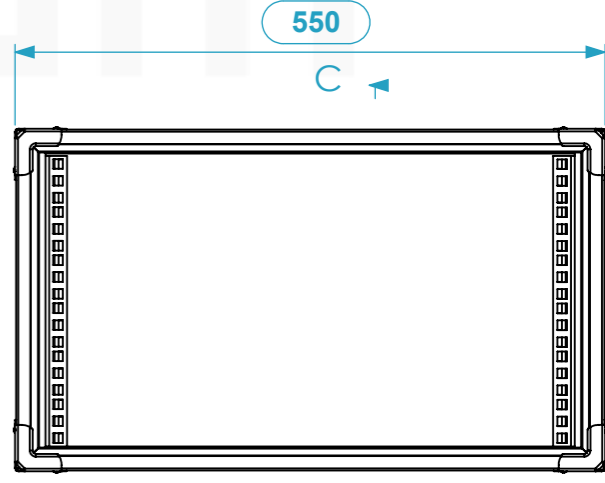
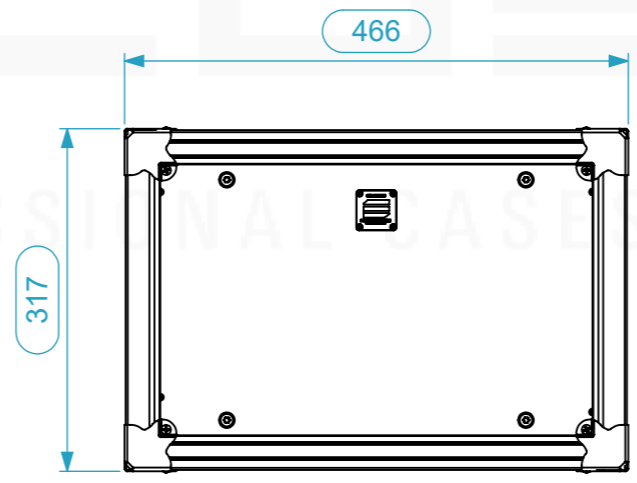
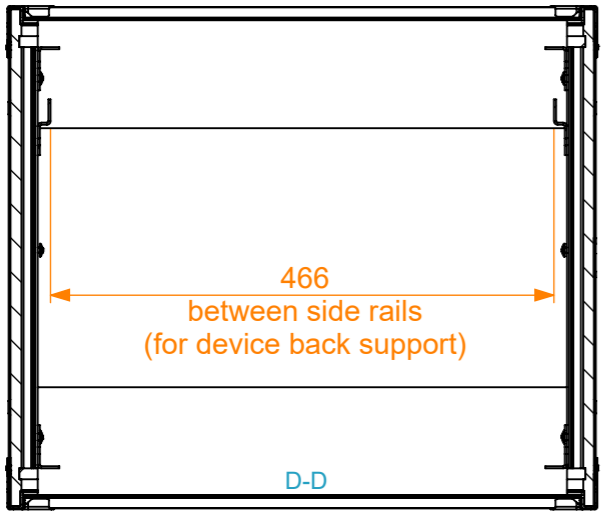
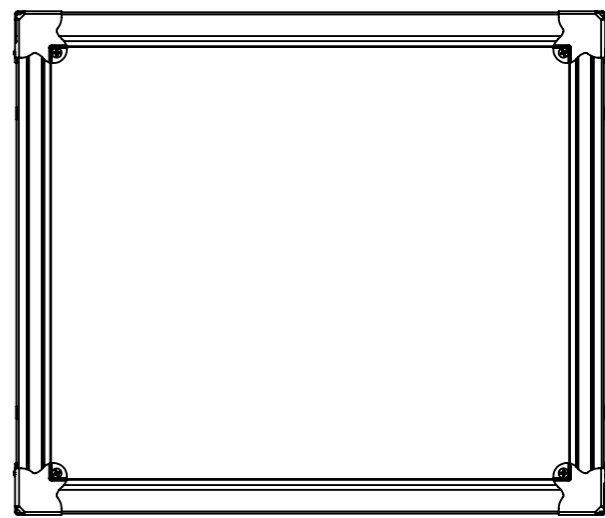
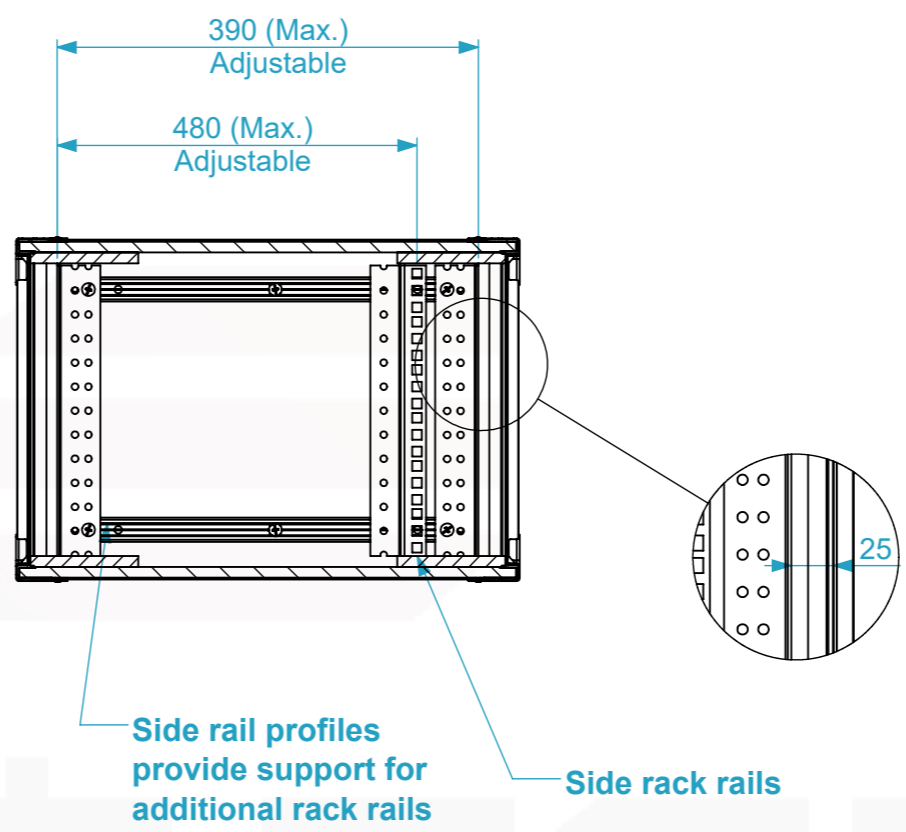


Internal Dimensions

Width	Depth	Height
560	480	6 U
Weight	Approx. 9 Kg	
Wall Thickness		mm



Drawn by	Name	Date
projects		22/03/2022
Reference	R11.0648	
Scale	units in mm	general tolerance
1:7	DO NOT SCALE	0.8mm
1st Angle projection	19" Compact Rack, 6U 390-ARR	



This drawing must not be copied or disclosed without consent of the owner

A3