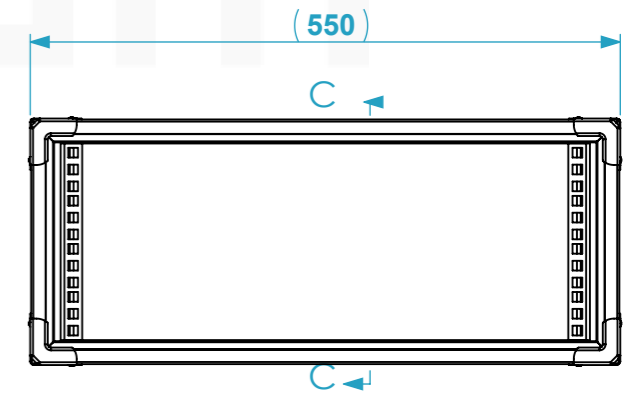
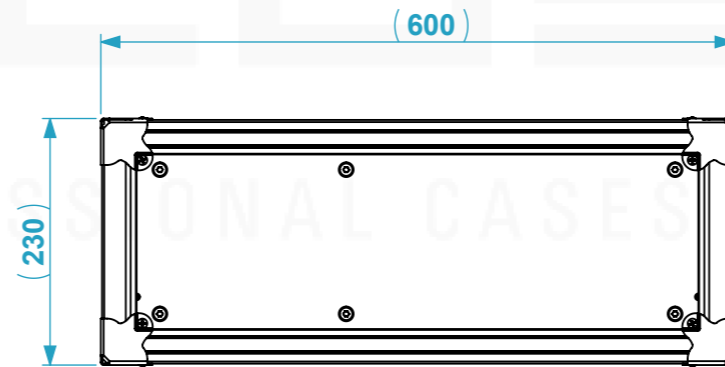
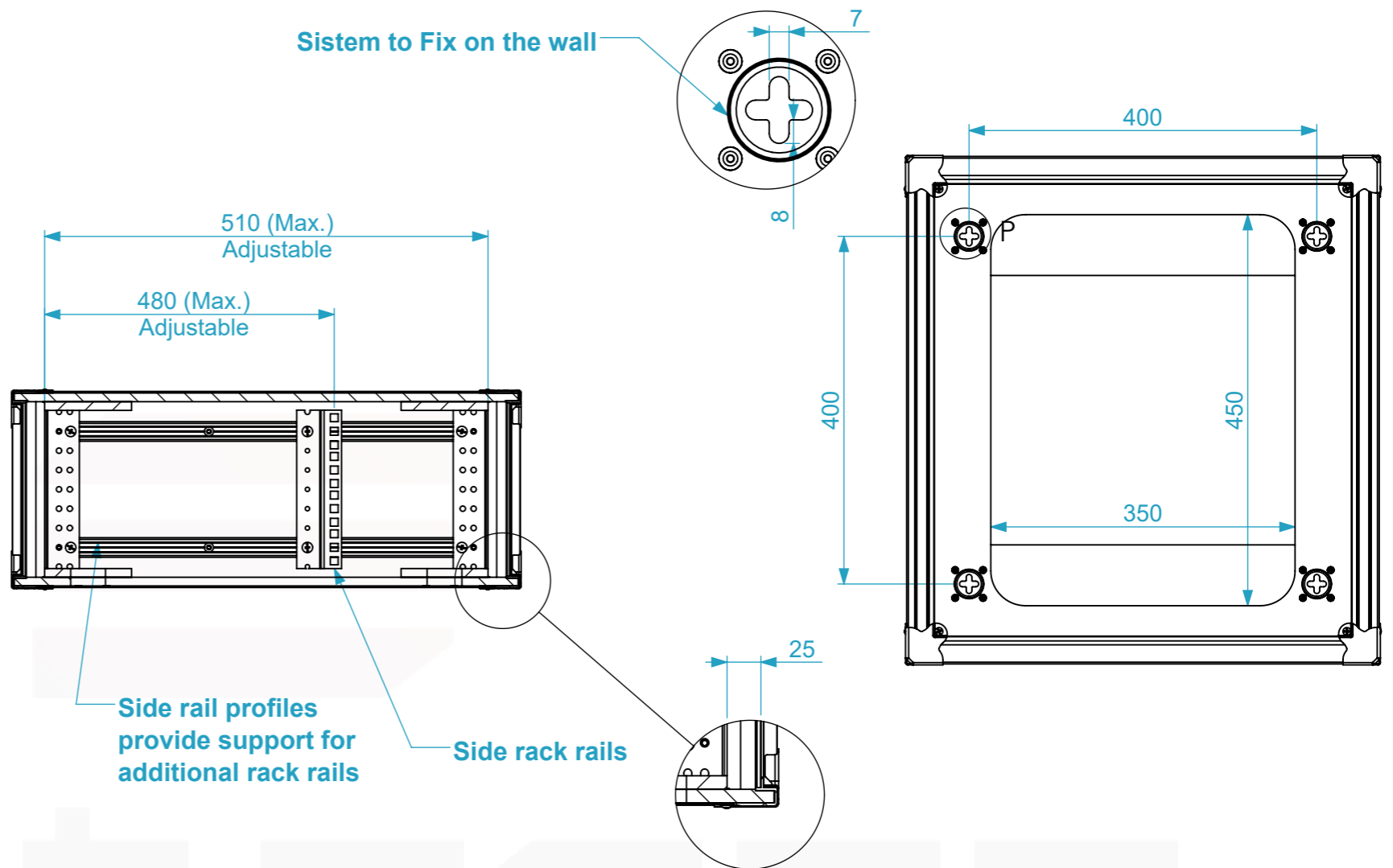
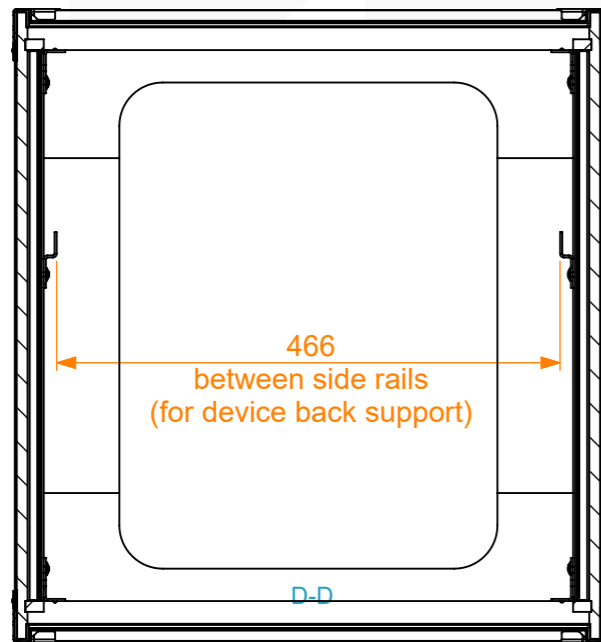
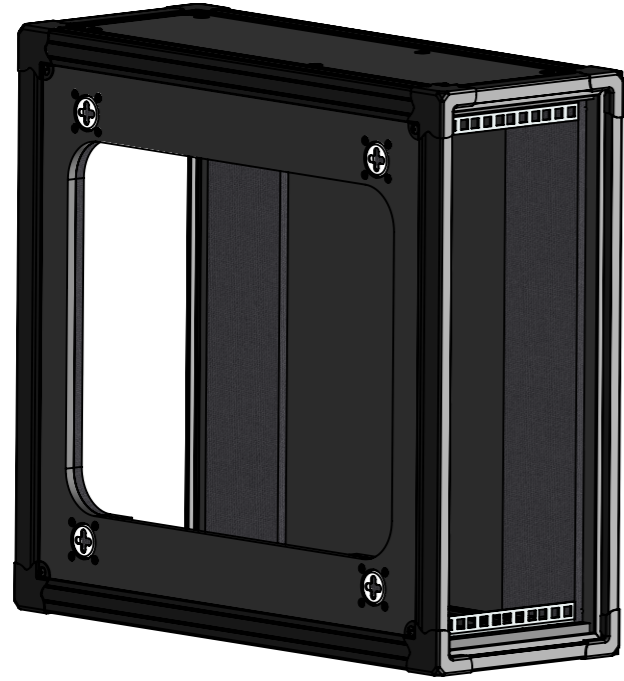


Internal Dimensions

Width	Depth	Height
560	600	4 U
Weight	Approx. 8 Kg	
Wall Thickness		10mm



Name	CarlaSilva	Date	30/09/2021
Drawn by			
Reference	R11.0460		
Scale	1:7	units in mm	DO NOT SCALE
		general tolerance	0.8mm
1st Angle projection	19" Compact Rack, 4U 510-ARR		

This drawing must not be copied or disclosed without consent of the owner

