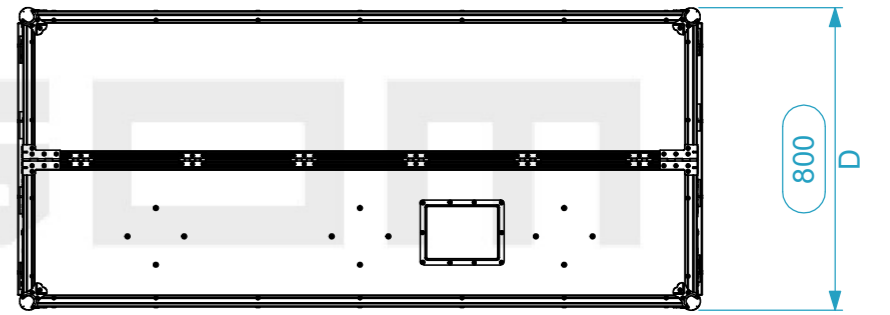
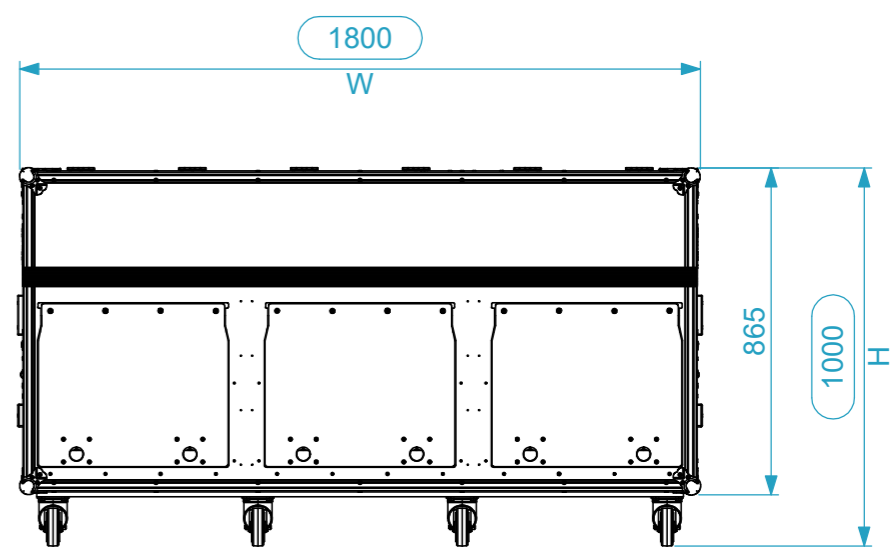
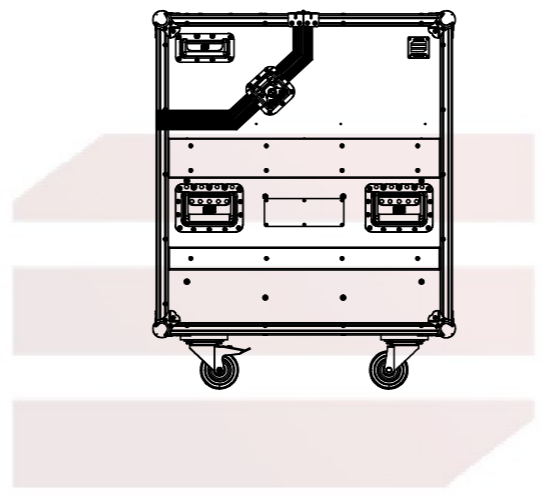
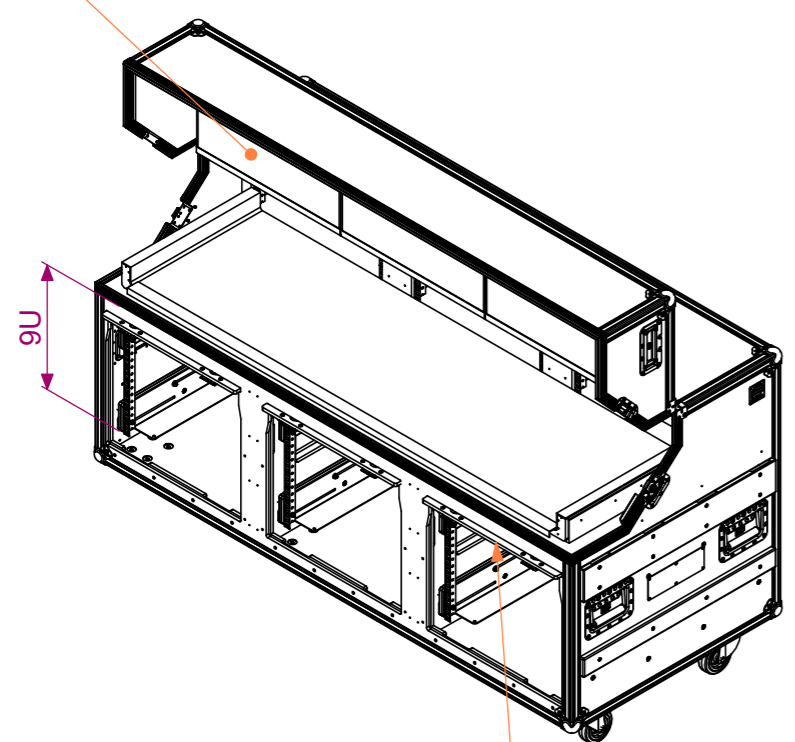


Top sliding



Vesa
200x200



Top sliding

santosom
PROFESSIONAL CASES

General External Dimensions	
W	Width
D	Depth
H	Height
Usable Inner Dimensions	
Wi	Inside Width
Di	Inside Depth
Hi	Inside Height
Wood Inner Dimensions	
WWi	Wood Inside Width
WDi	Wood Inside Depth
WHi	Wood Inside Height

	Name	Date
Drawn by	paula.almeida	15/05/2026
Reference	-	
Scale	1:20	units in mm DO NOT SCALE
		general tolerance 0.8mm



A3 This drawing must not be copied or disclosed without consent of the owner



Scale 1:20 units in mm DO NOT SCALE general tolerance 0.8mm