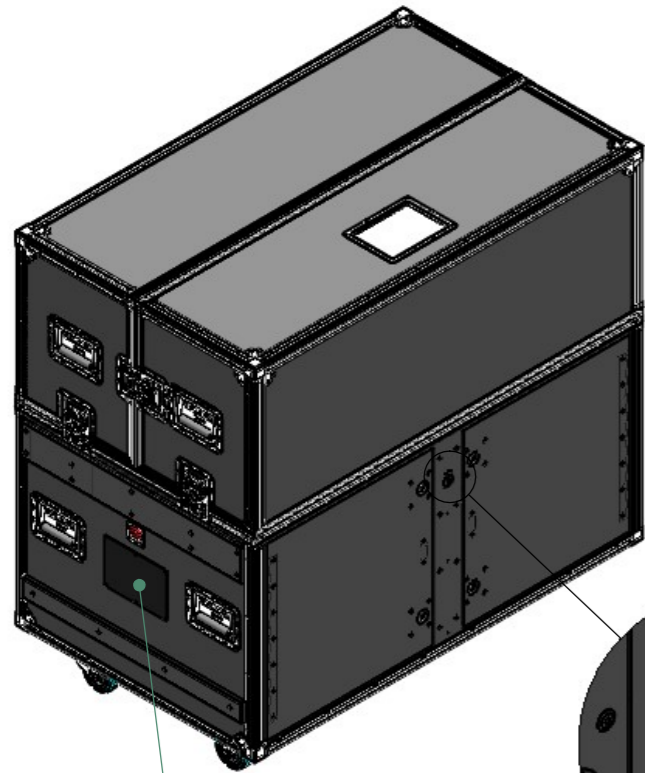
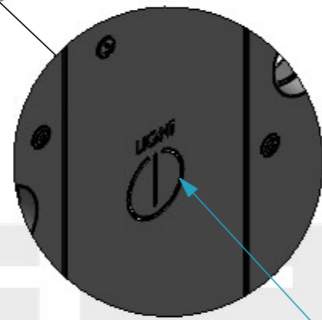


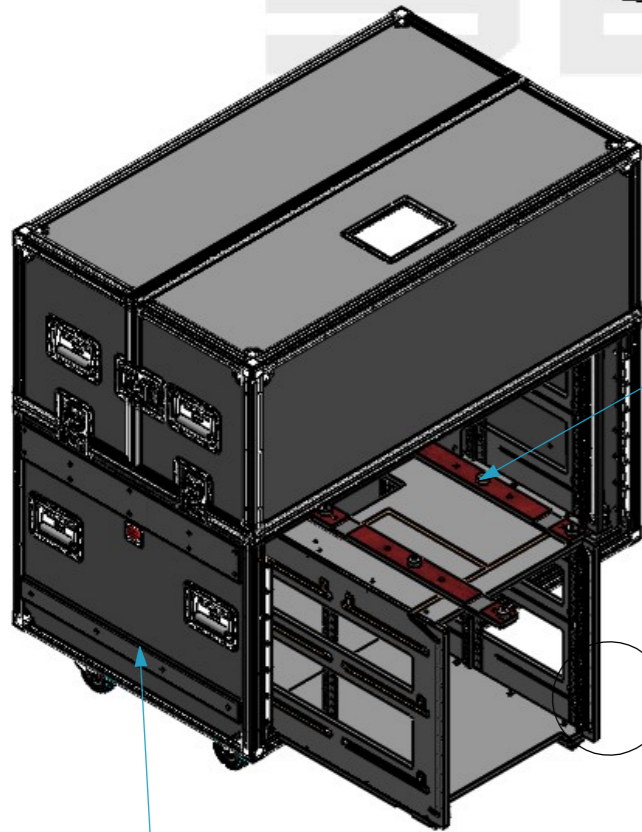
Internal Dimensions		
Width	Depth	Height
2x 19"	800	12U
Weight	Approx. 143 Kg	
Wall Thickness	10mm	



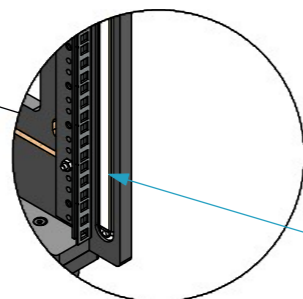
Optional printing plate



Touch dimmer switch for lighting

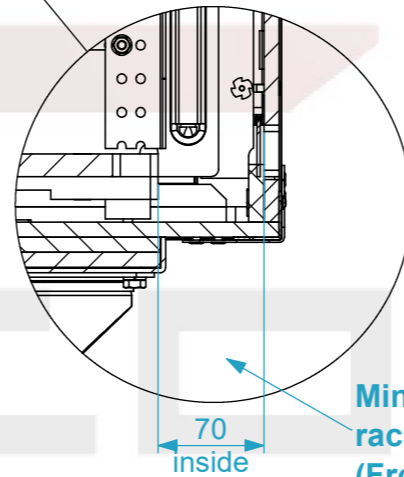
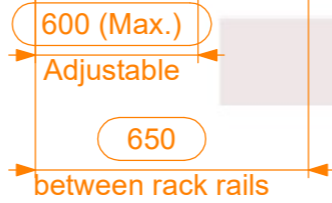
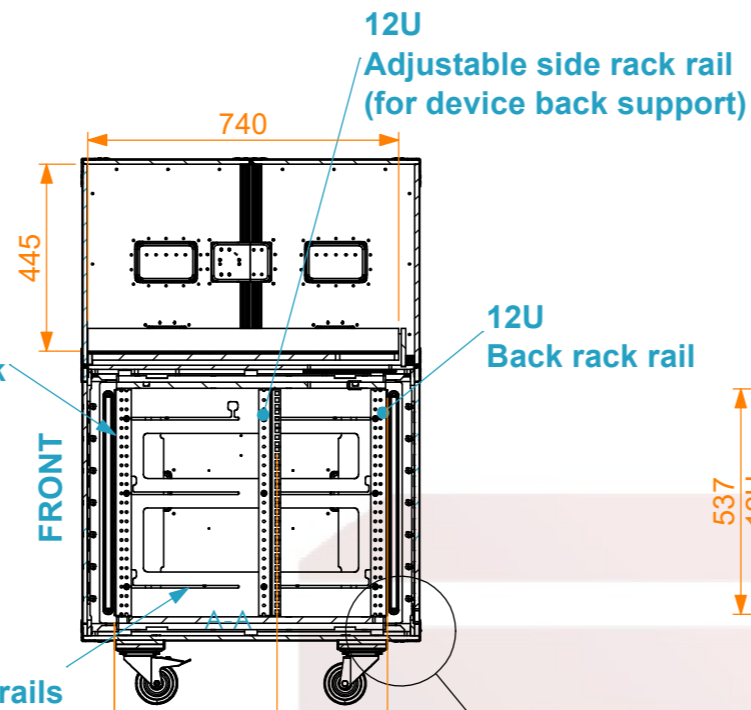


Wear resistant PE500 plastic feet

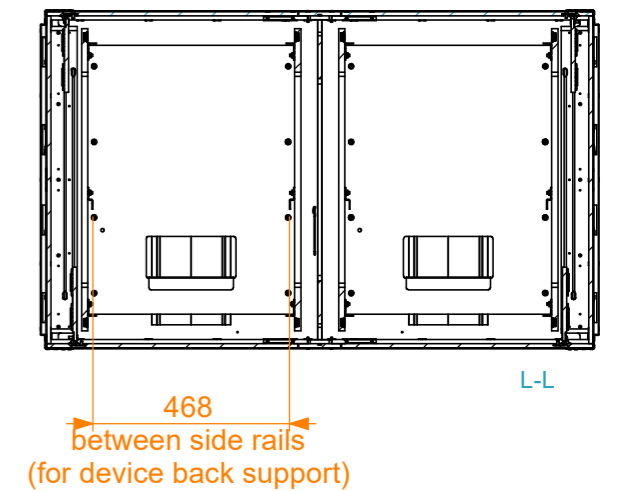
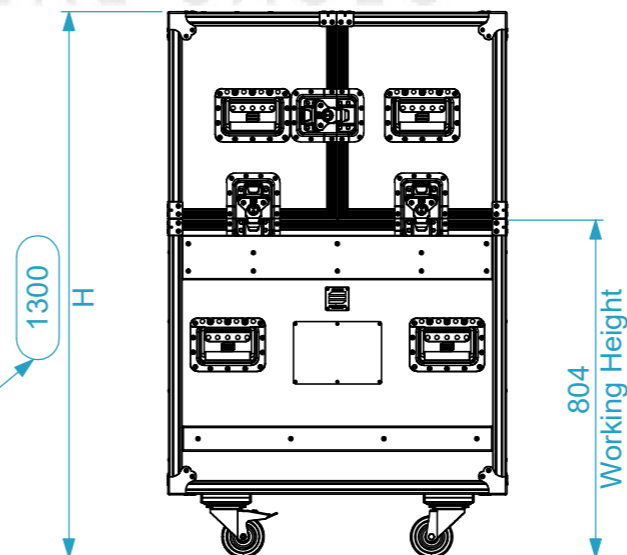
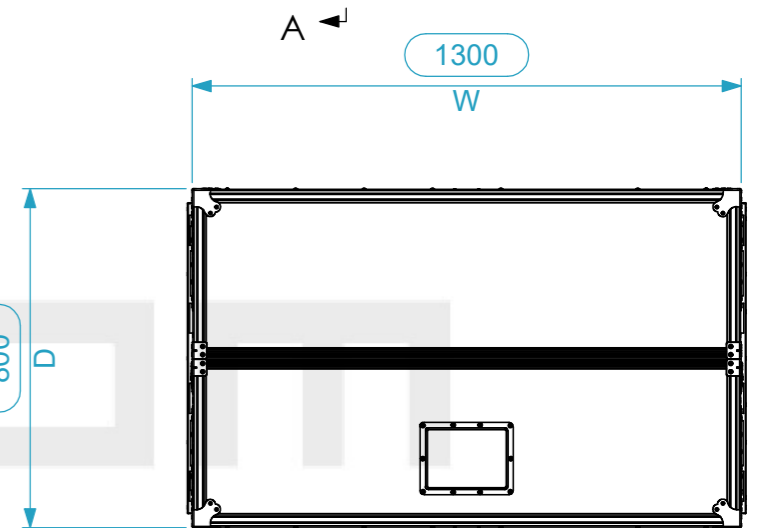
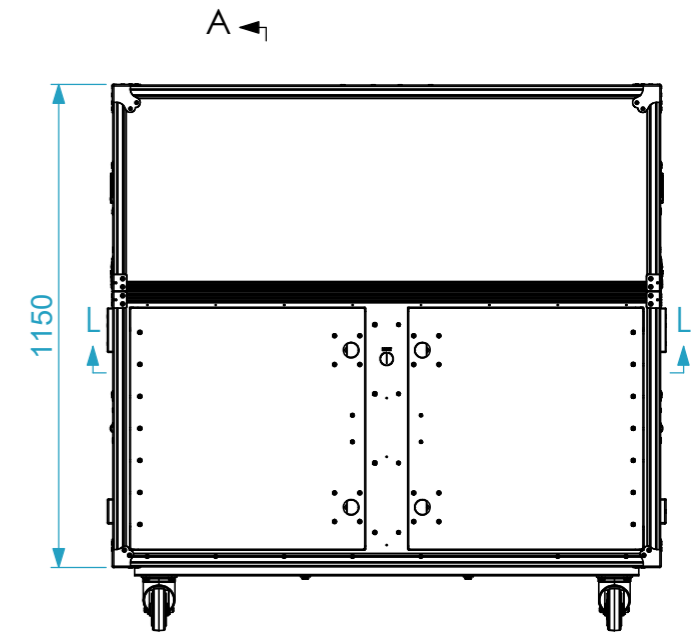
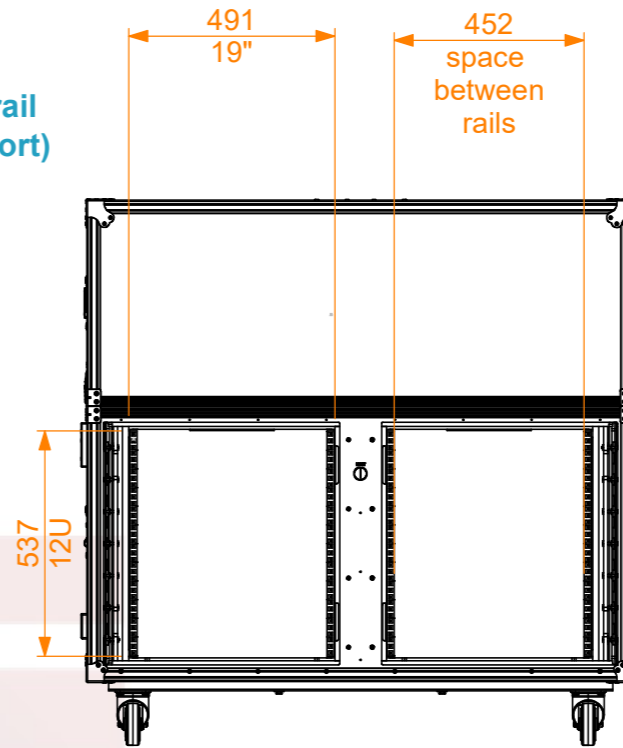


Anti-vibration mounts between the inner rack and the flightcase

LED lighting



Min. distance between rack rails and door (Front and Back)

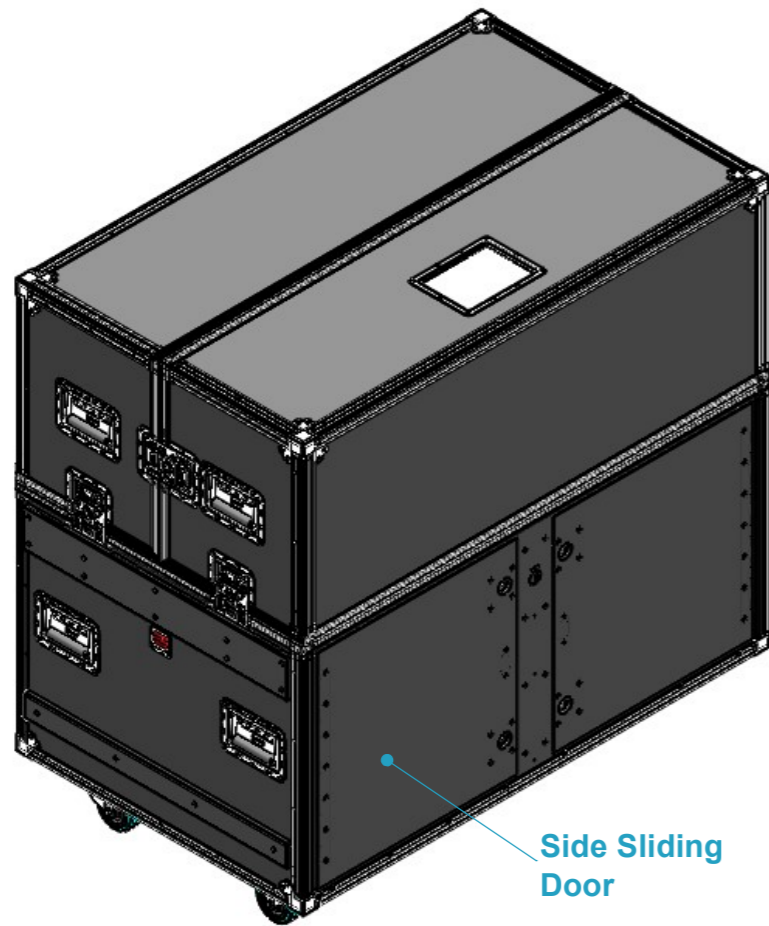


Drawn by	Name	Date
jose.couto	jose.couto	14/05/2026
Reference	RG5C.13080130	
Scale	units in mm	general tolerance
1:18	DO NOT SCALE	0.8mm
1st Angle projection	Regie Double Side Sliding-Rack 130.80.130, 12+12U	

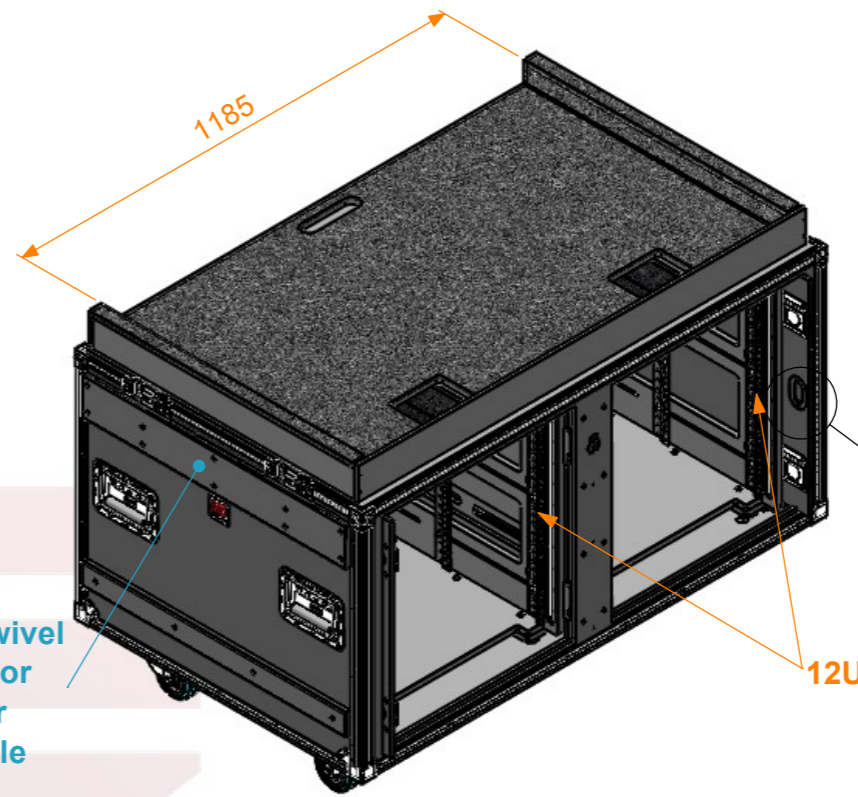
This drawing must not be copied or disclosed without consent of the owner

A3





Side Sliding Door

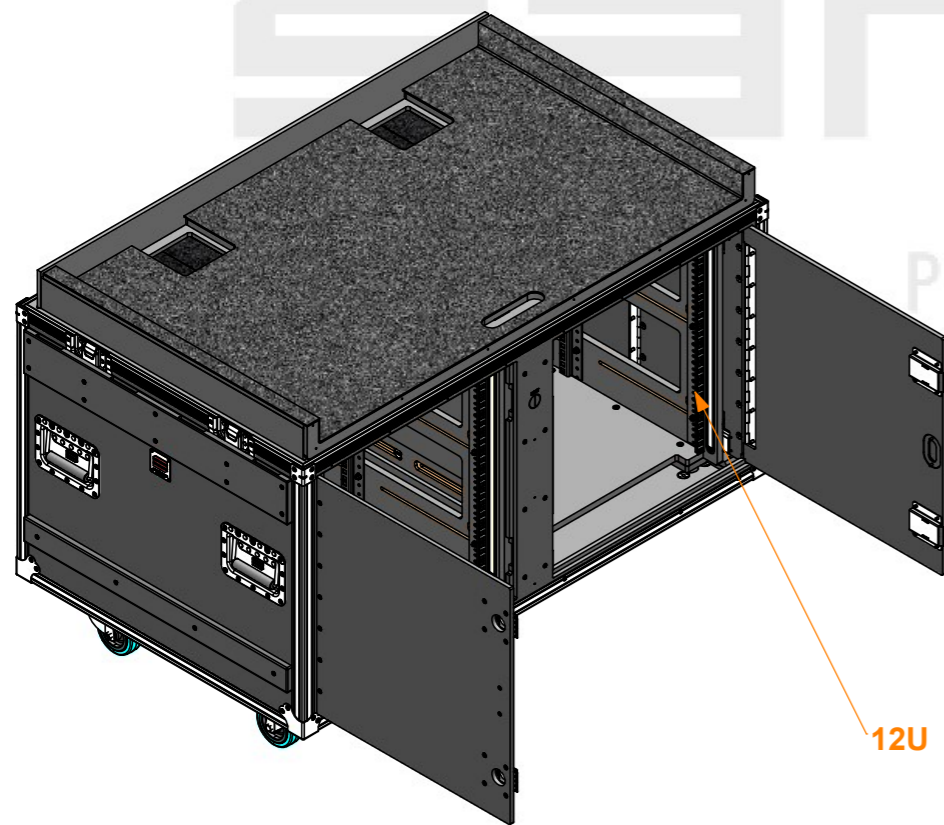
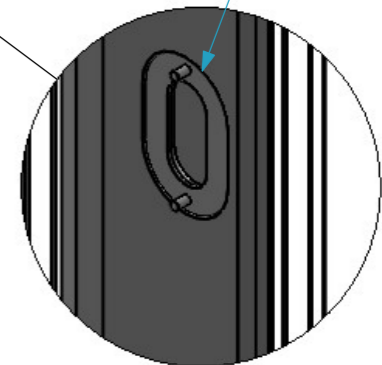


1185

12U

4x Slots for Swivel Arm supports or Studio Monitor Stand with table

Recessed handle



12U

GSA6131B

Cut-out with brush

Sliding tray

SUPPORT.02218S/M

Equipments	Not included
------------	--------------

Accessories	Optional
-------------	----------

Accessories	Included
-------------	----------

Name	Date
Drawn by jose.couto	14/05/2026
Reference	RG5C.13080115
Scale	1:15
units in mm	DO NOT SCALE
general tolerance	0.8mm
Regie Double Side Sliding-Rack, 12U	



This drawing must not be copied or disclosed without consent of the owner



A3