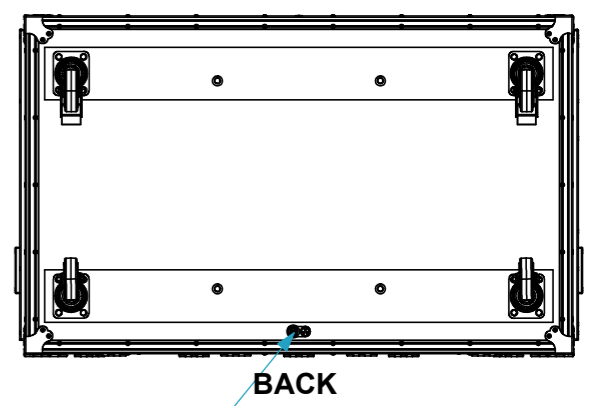
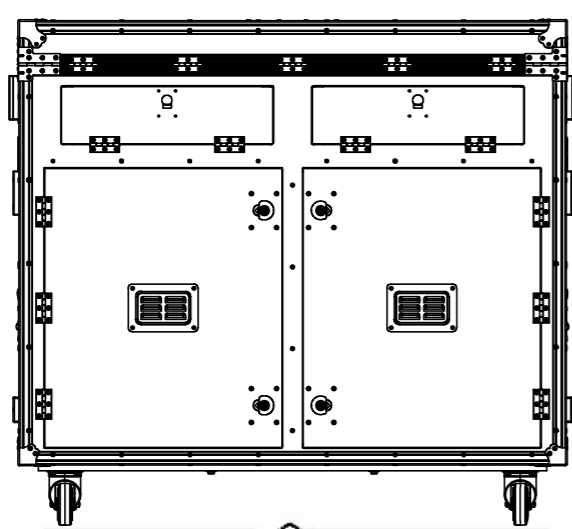


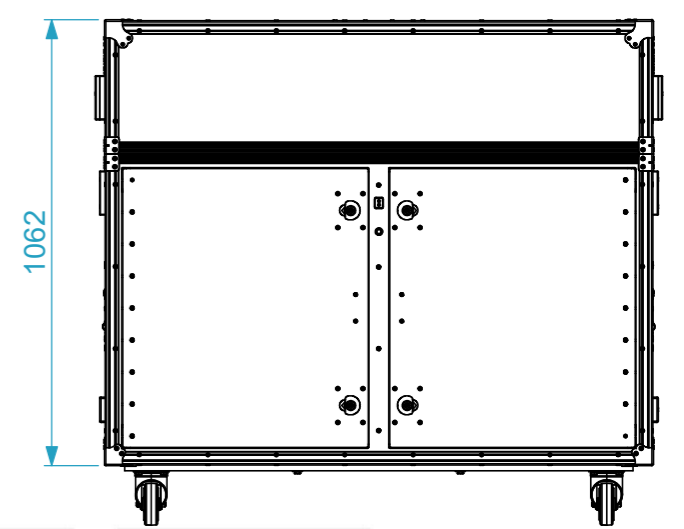
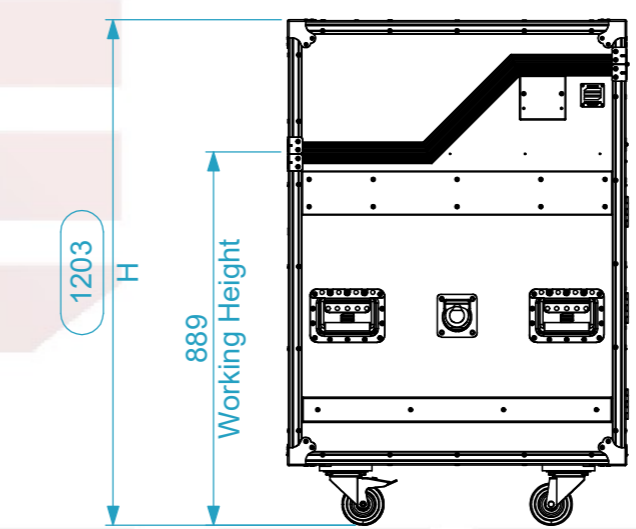
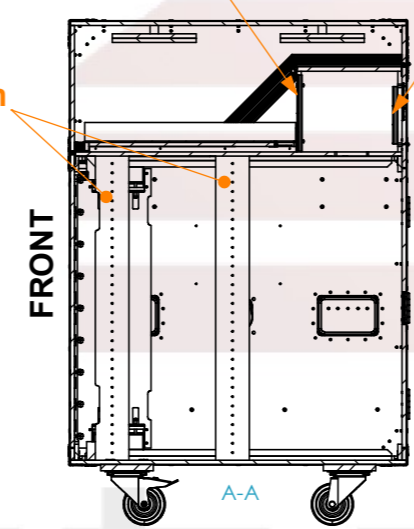
Internal Dimensions		
Width	Depth	Height
2x 19"	800	14U
Weight	Approx. 108 Kg	
Wall Thickness	10mm	



Connection Power In and Out



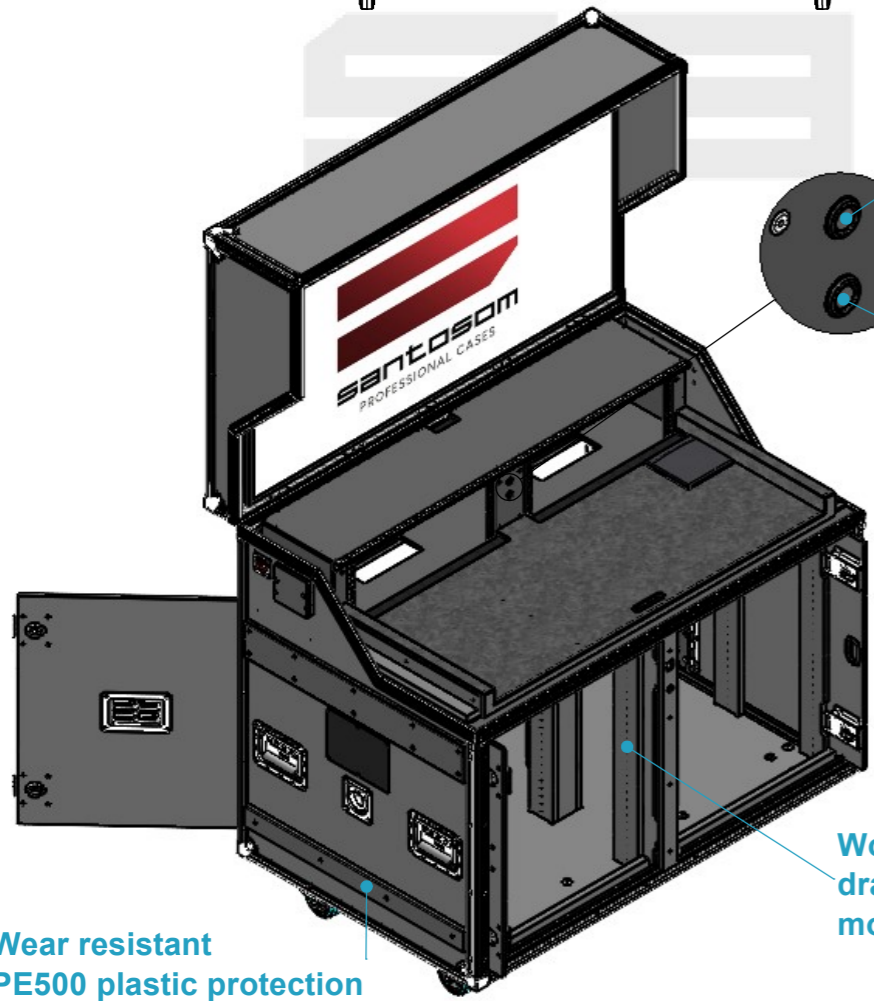
4U rack rails
14U Wooden Strips
3U rack rails



1203 H

Working Height 889

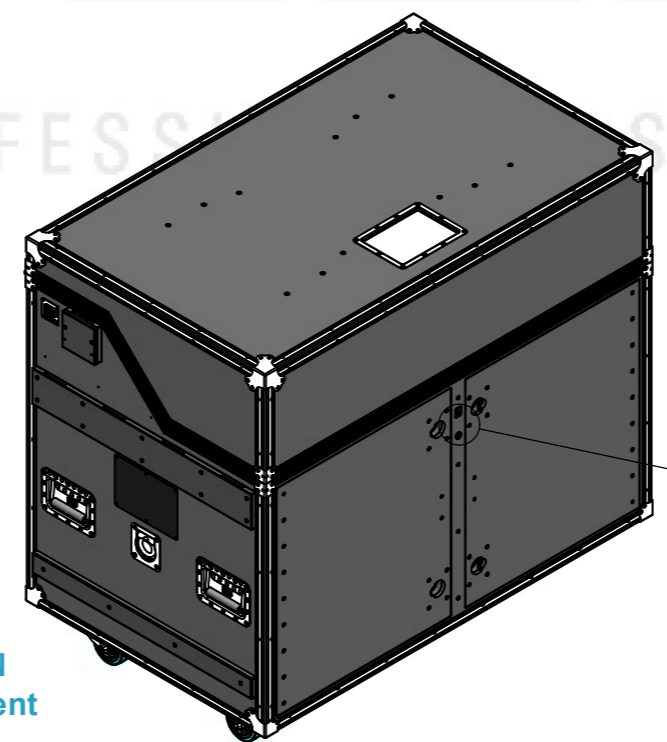
1062



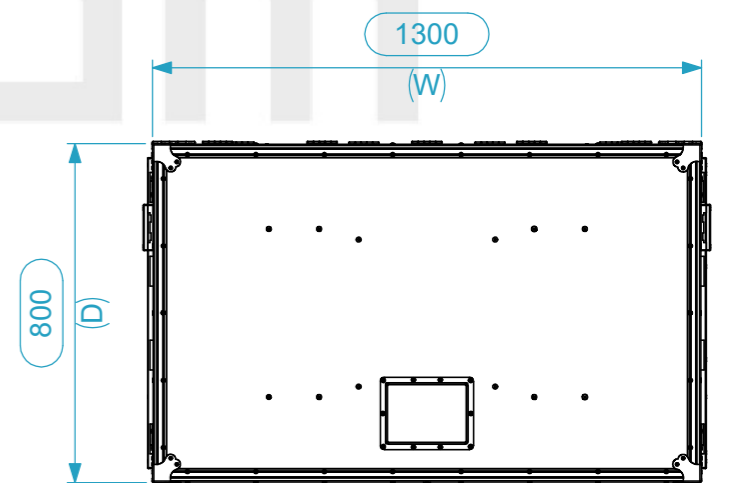
Touch dimmer Lid LED
Touch dimmer Work LED

Wooden strips for UN drawers and equipment modules

Wear resistant PE500 plastic protection



Button to control electric shock absorber
Touch dimmer Bellow LED



1300 (W)

800 (D)

General External Dimensions	
W	Width
D	Depth
H	Height
Usable Inner Dimensions	
Wi	Inside Width
Di	Inside Depth
Hi	Inside Height

Name	Date	
Drawn by	catarina.silva	15/06/2026
Reference	RG5A.WOF	
Scale	units in mm	general tolerance
1:18	DO NOT SCALE	0.8mm
FC Welcome Office	130	
	14UN	



This drawing must not be copied or disclosed without consent of the owner



A3

Configuration 1

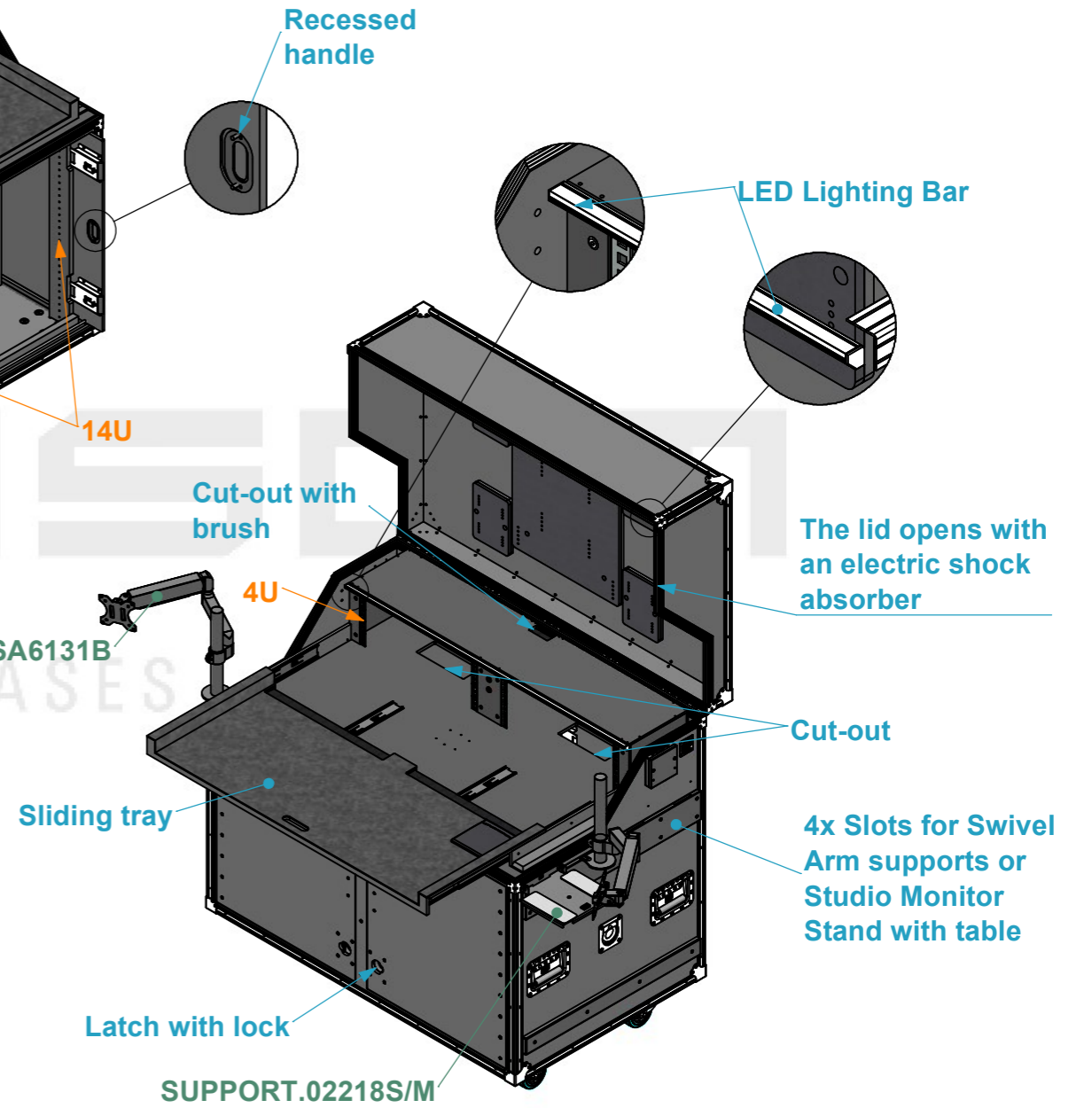
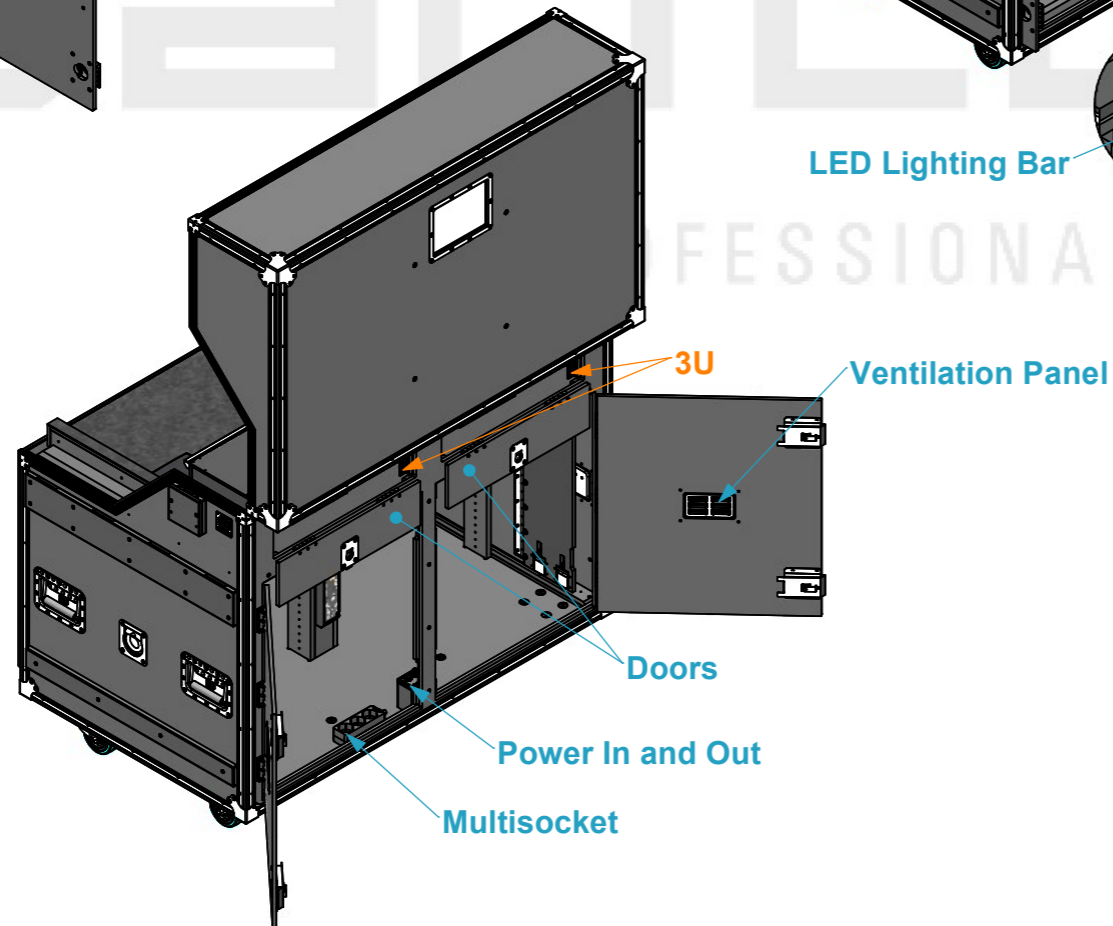
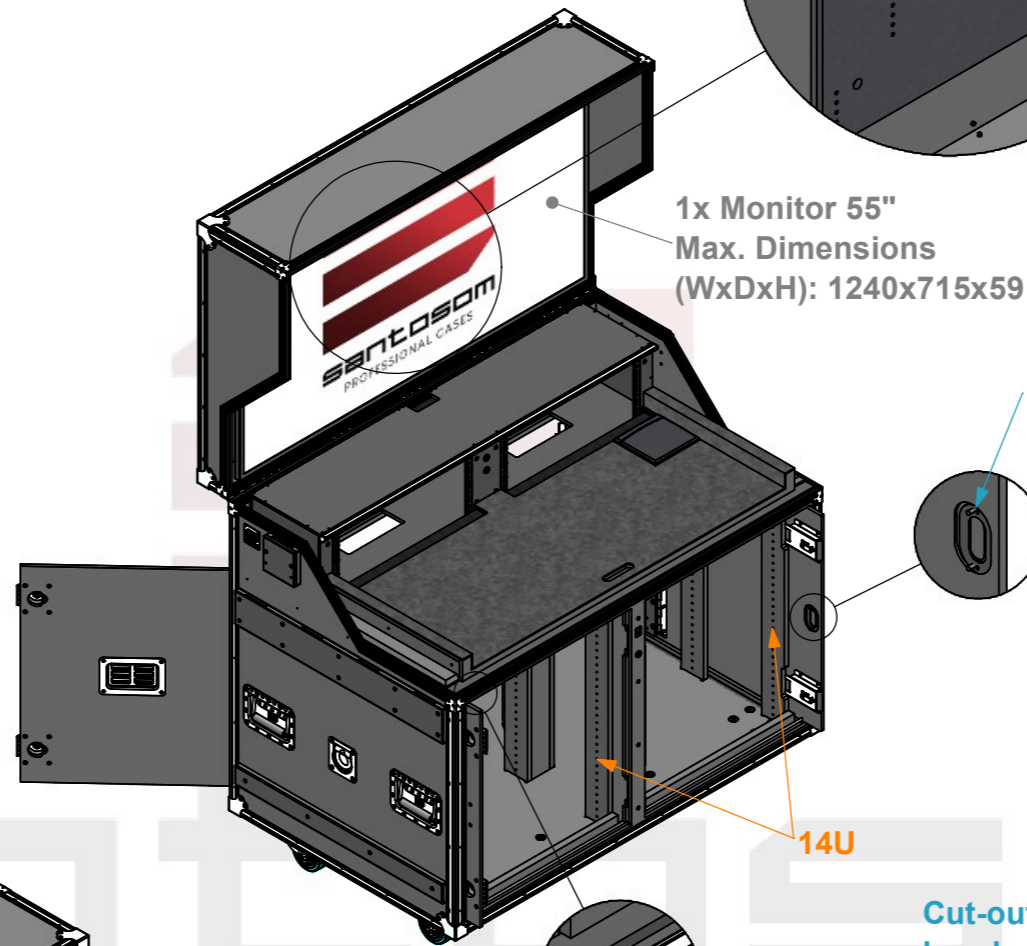
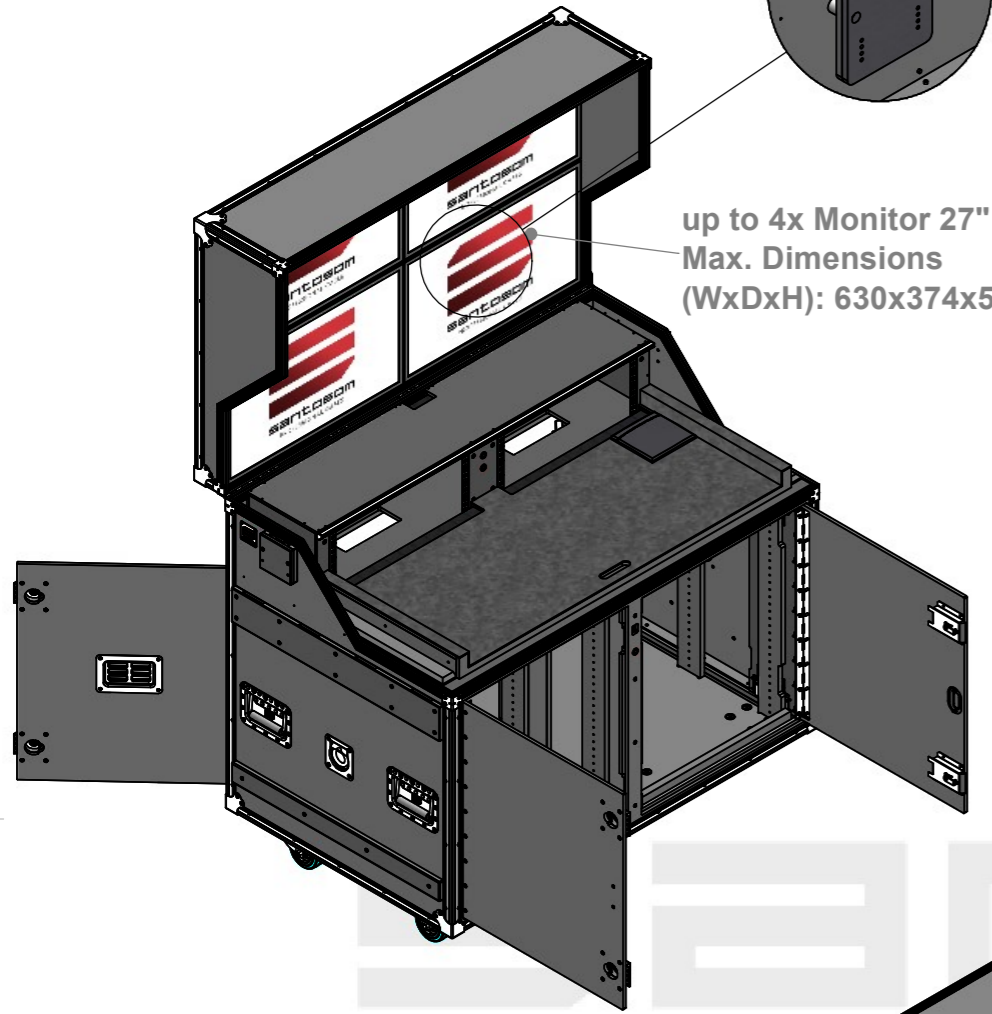
Configuration 2

STAND.010 - VESA 100
 (4x Included in Configuration 1,
 but also available separately)

STAND.011 - VESA 200/400
 (1x Included in Configuration 2,
 but also available separately)

up to 4x Monitor 27"
 Max. Dimensions
 (WxDxH): 630x374x59

1x Monitor 55"
 Max. Dimensions
 (WxDxH): 1240x715x59



Equipments	Not included
Accessories	Optional
Accessories	Included

This drawing must not be copied or disclosed without consent of the owner

Name	Date
Drawn by	15/06/2026
Reference	RG5A.WOF
Scale	1:19
units in mm	general tolerance 0.8mm
DO NOT SCALE	
FC Welcome Office 130	14UN

