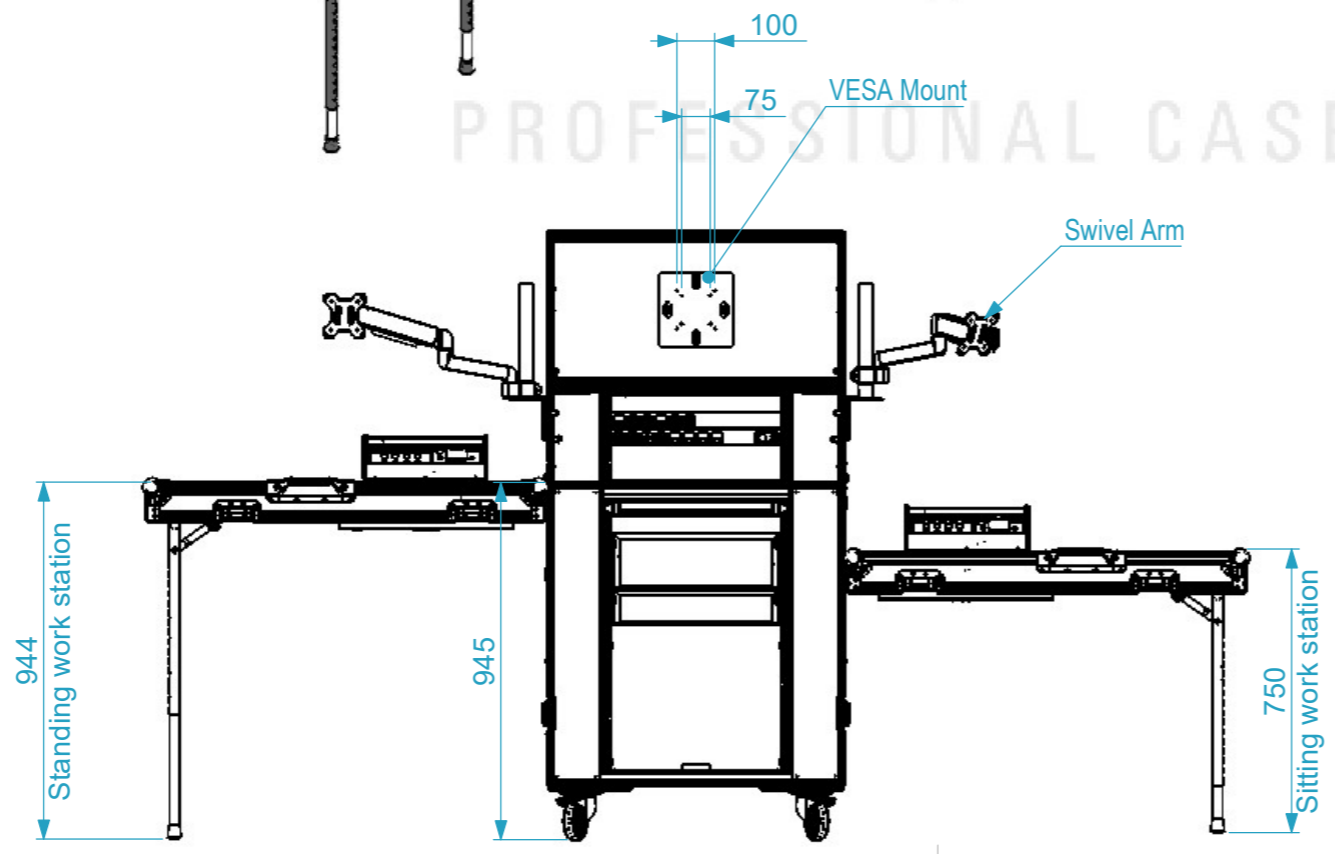
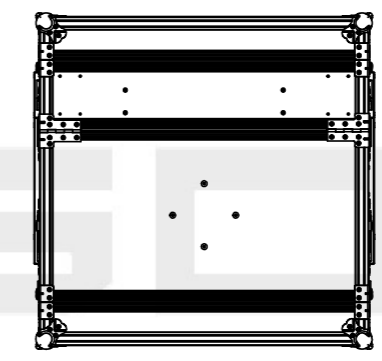
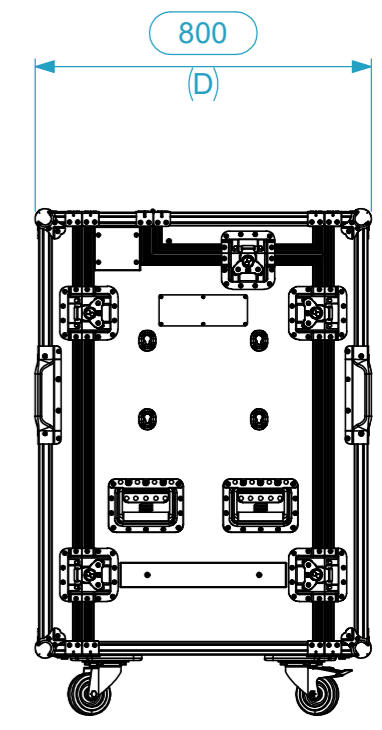
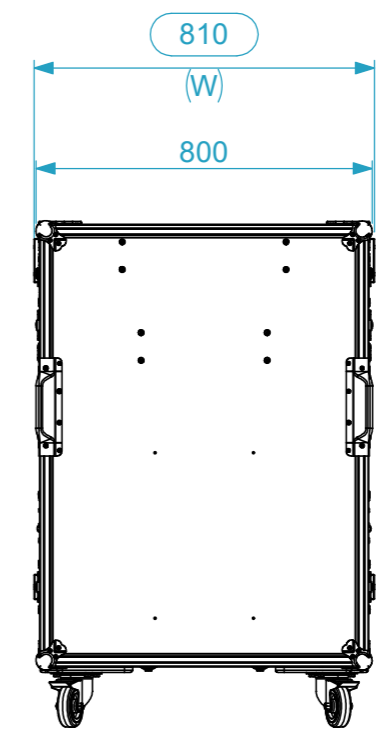
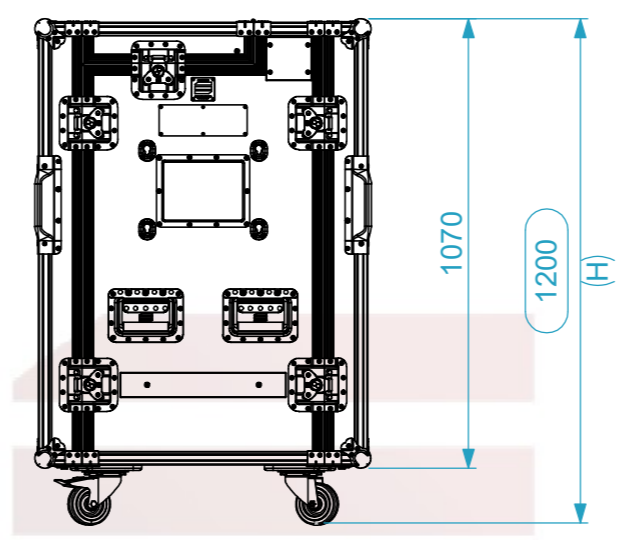
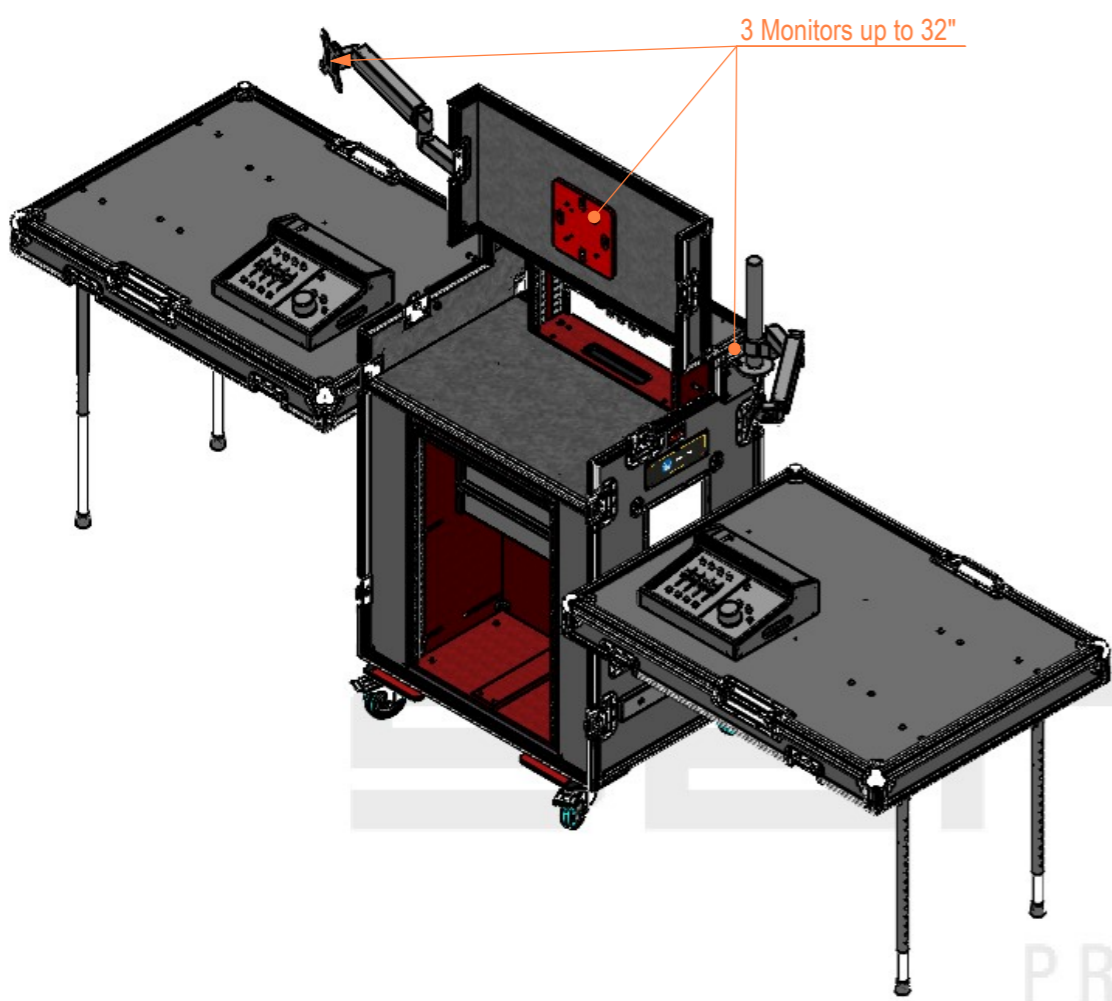


Equipment	Follow-Me	
<b>Dimensions</b>		
Width	Depth	Height
800	800	1200
Weight	Approx. 75 Kg	
Wall Thickness	10mm	



General External Dimensions	
W	Width
D	Depth
H	Height
Usable Inner Dimensions	
Wi	Inside Width
Di	Inside Depth
Hi	Inside Height

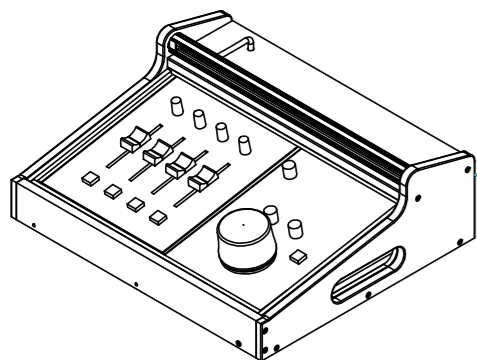
Name	Date
Drawn by paula.almeida	16/10/2025
Reference	RG3A.FME
Scale	1:18
units in mm	general tolerance 0.8mm
DO NOT SCALE	
FC Regie Sistema Follow-Me	



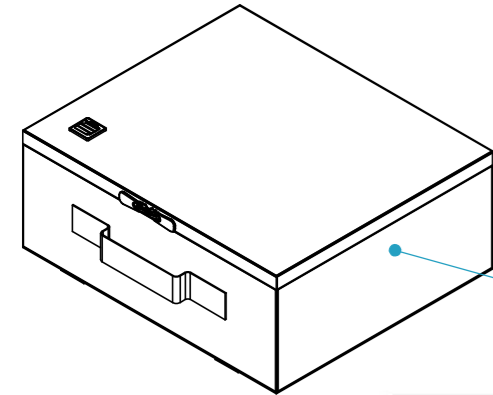
This drawing must not be copied or disclosed without consent of the owner



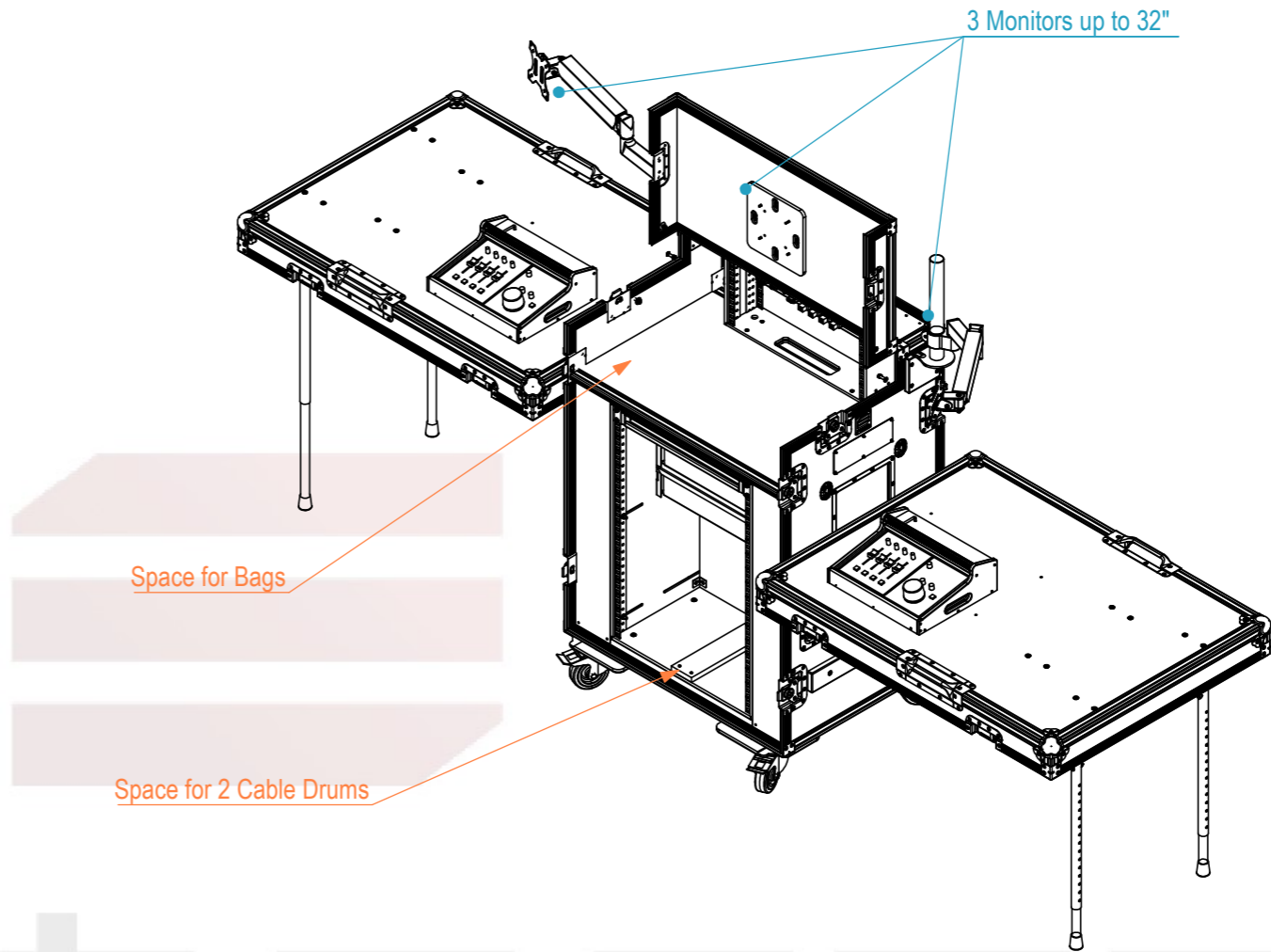
A3



2 x Illuminated Compartments for Controllers



2 x Removable bags for storing the illuminated compartment.  
Fixed to the workstation with velcro.

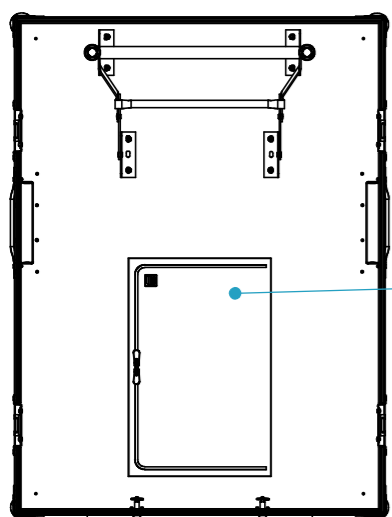


3 Monitors up to 32"

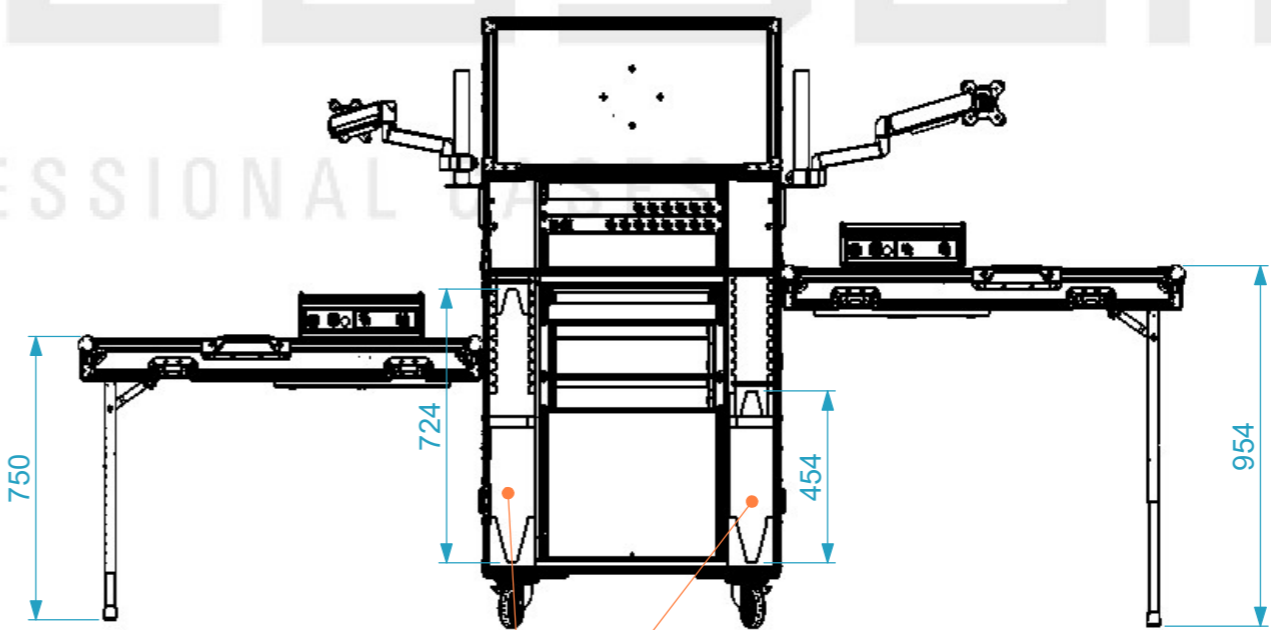
Space for Bags

Space for 2 Cable Drums

santosom  
PROFESSIONAL CASES



Fixed bag for storing the Swivel arm.  
1 Bag per lid.

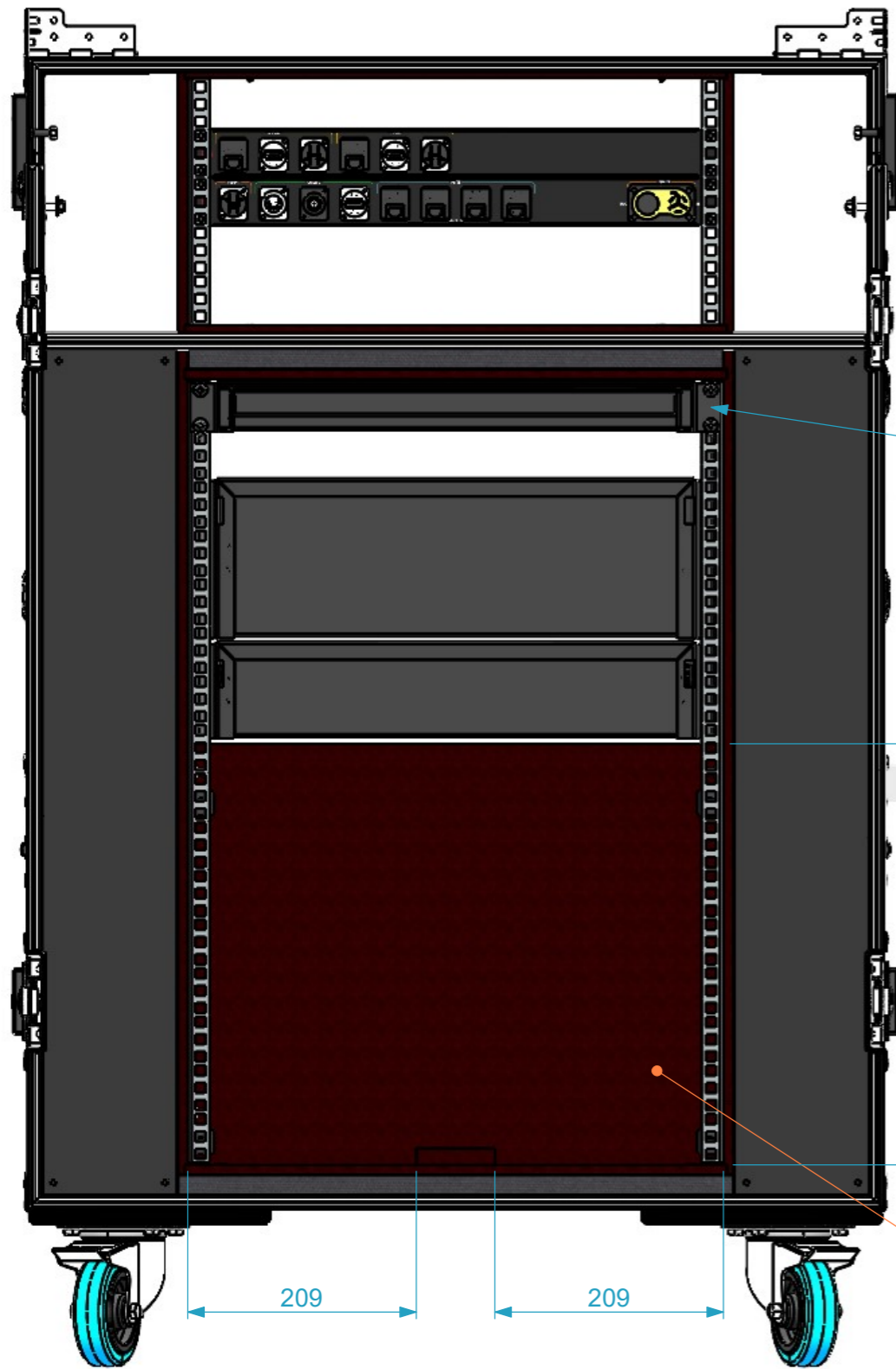


Space for Monitors with Covers

A3 This drawing must not be copied or disclosed without consent of the owner

Name	Date
Drawn by paula.almeida	16/10/2025
Reference	RG3A.FME
Scale	1:18
units in mm	general tolerance 0.8mm
DO NOT SCALE	
FC Regie Sistema Follow-Me	





keyboard and mouse drawer

385

209

209

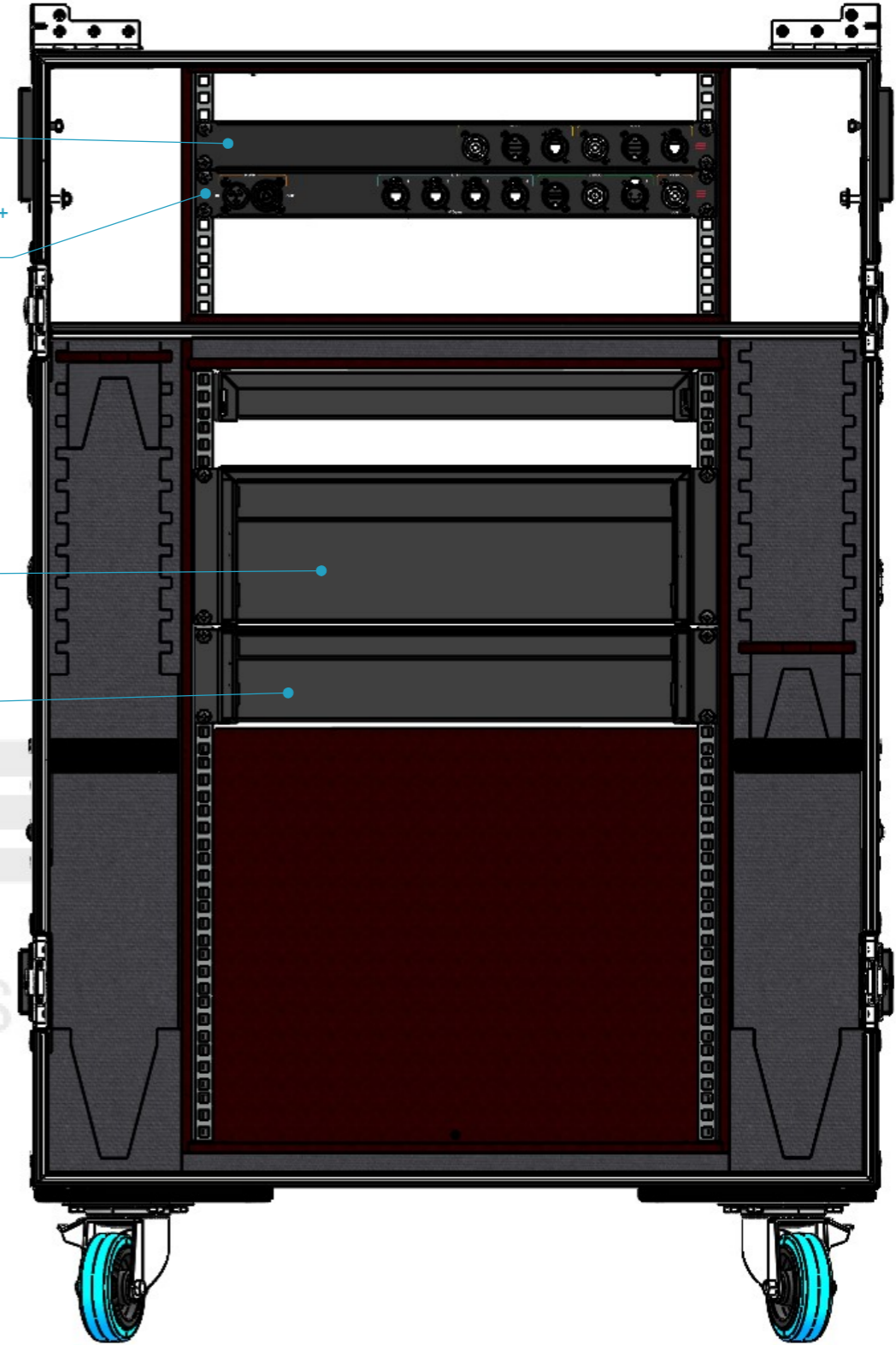
Space for 2 Drum Cables

CST.L06A.FME  
2x(PWR + HDMI + ETH)

CST.L10.FME  
PWR TRUE 1, 4xETH + HDM + BNC +  
XLR5 pins + Power Out

Camera drawer

Drawer for Cables



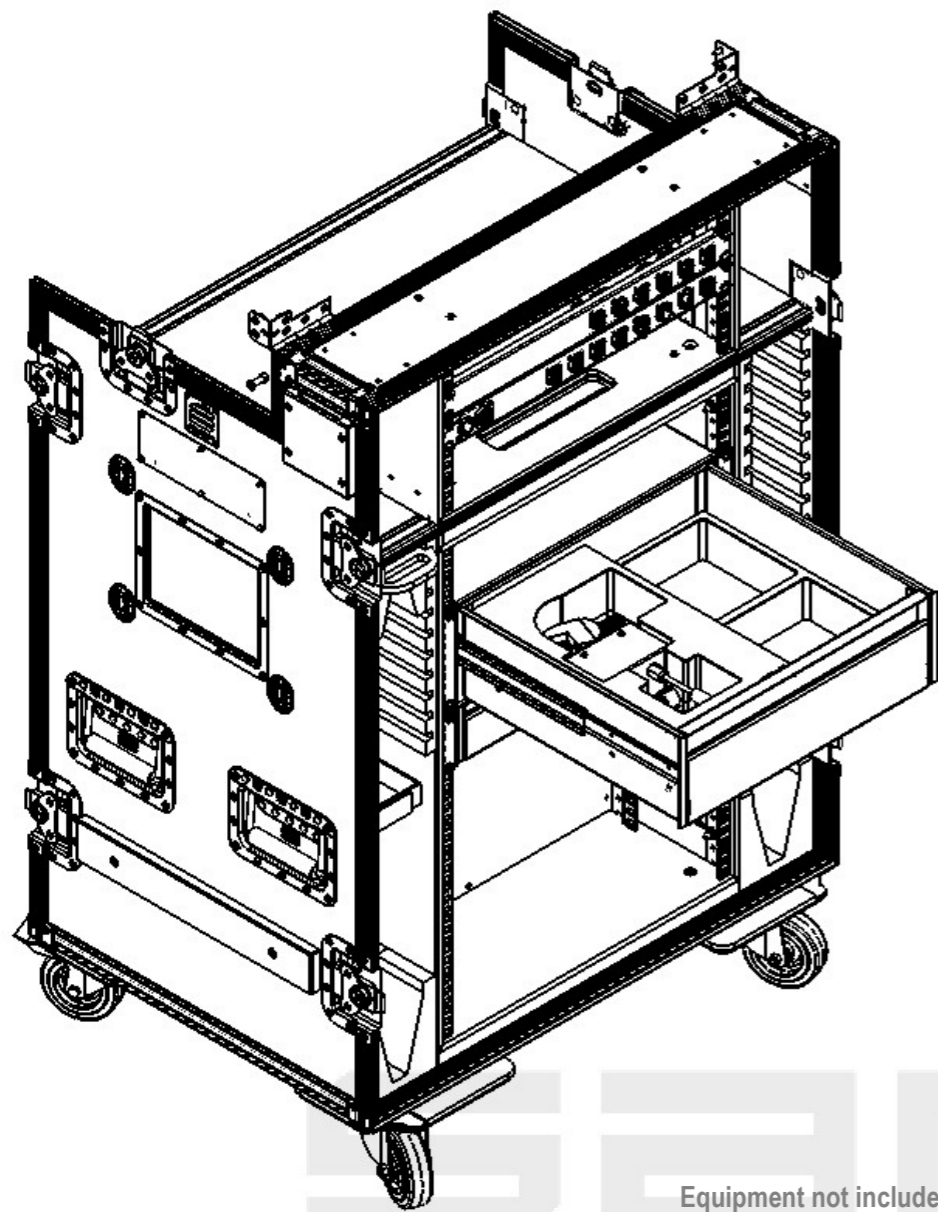
A3

This drawing must not be copied or disclosed without consent of the owner

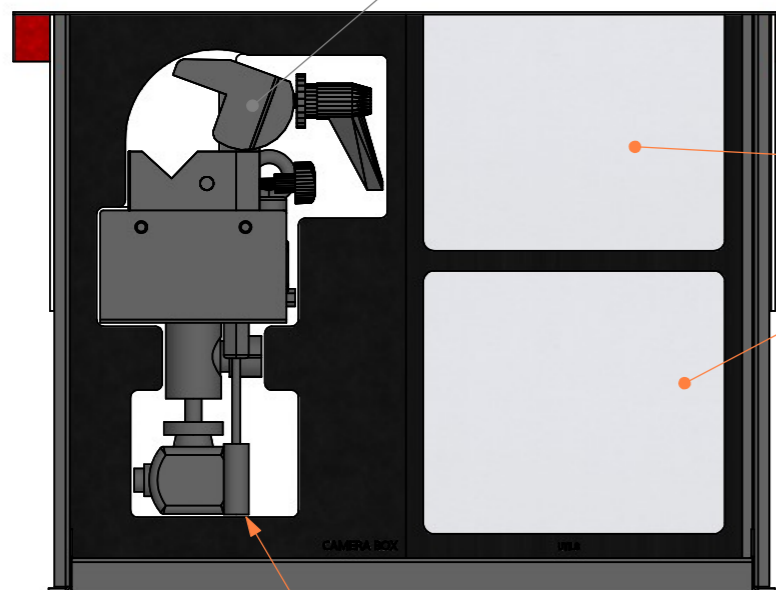
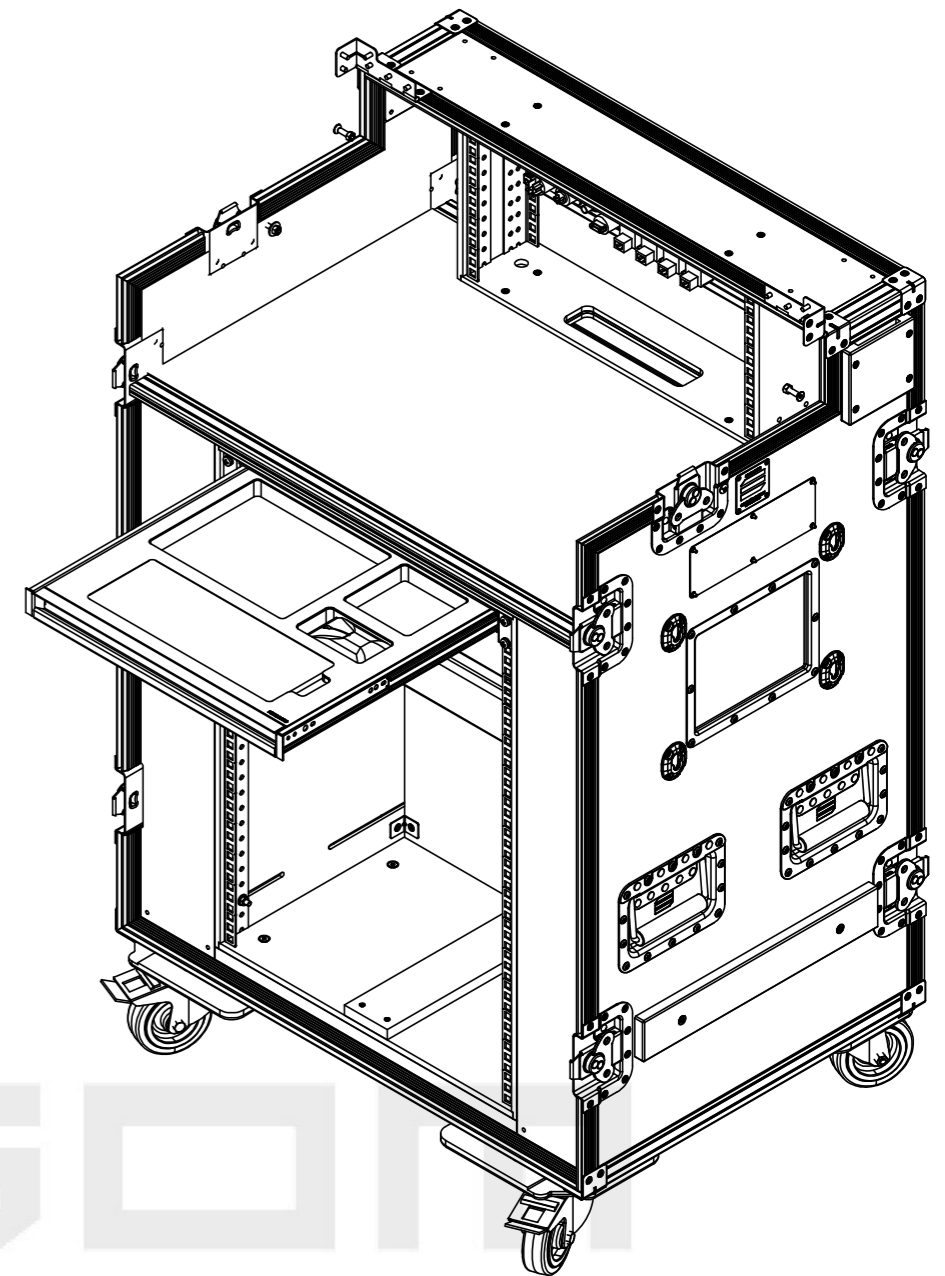


	Name	Date
Drawn by	paula.almeida	16/10/2025
Reference	RG3A.FME	
Scale	units in mm	general tolerance
1:20	DO NOT SCALE	0.8mm
	FC Regie Sistema Follow-Me	

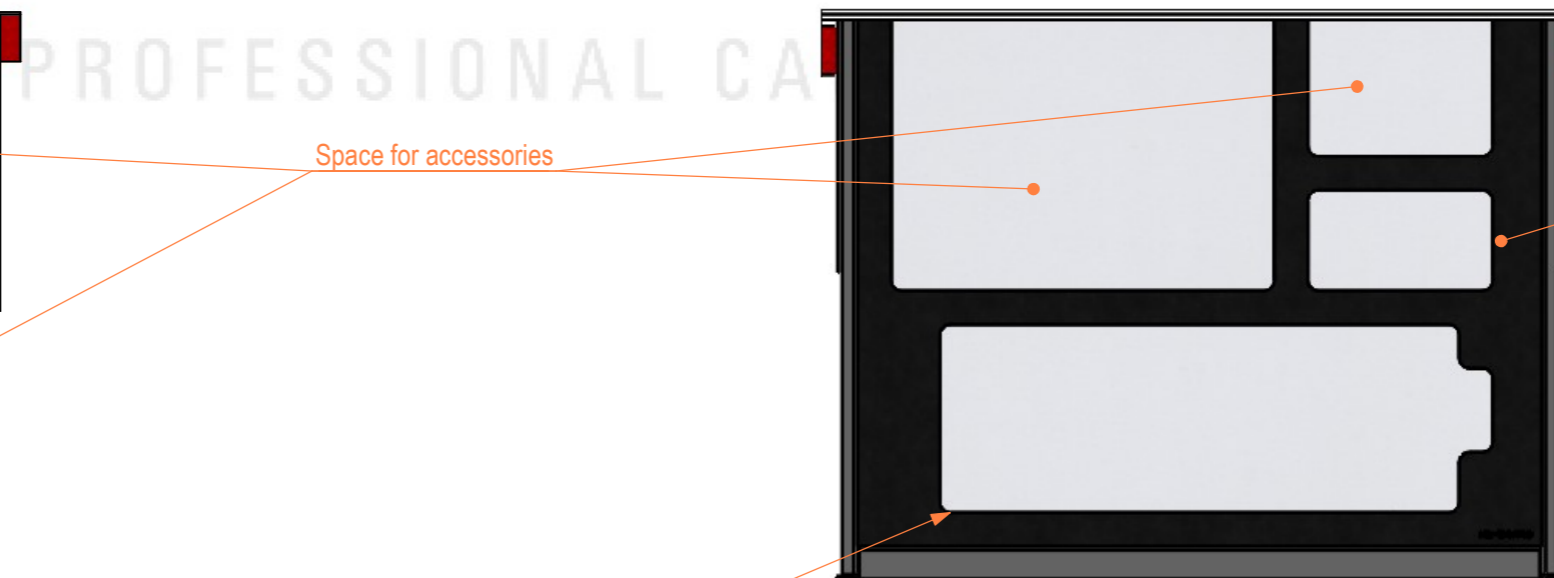




Equipment not included



Space for Camera BOX with Camera



Space for accessories

Space for Keyboard

Space for Mouse

This drawing must not be copied or disclosed without consent of the owner

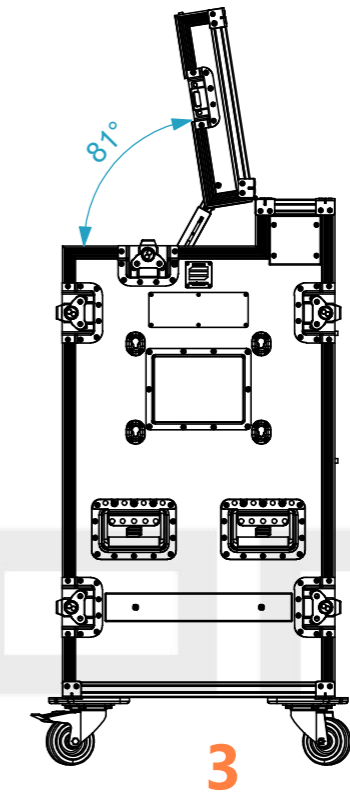
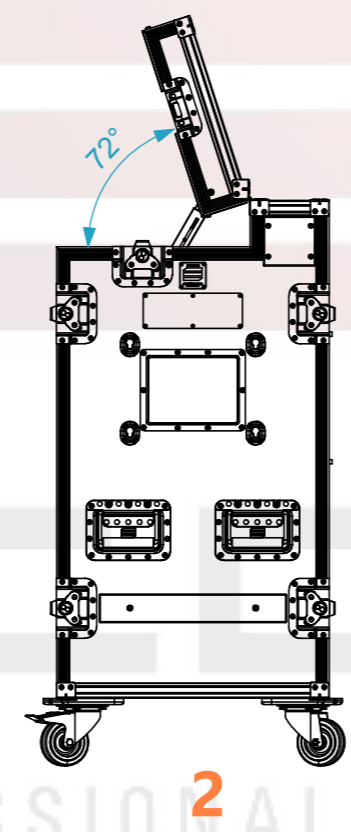
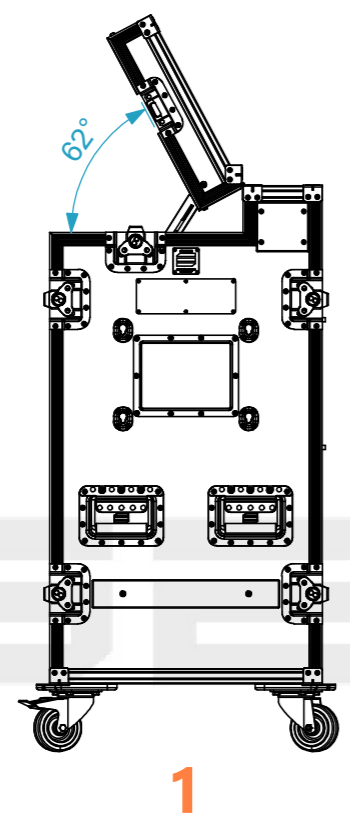


Drawn by	paula.almeida	Date	16/10/2025
Reference	RG3A.FME		
Scale	1:9	units in mm	general tolerance 0.8mm
		DO NOT SCALE	
FC Regie Sistema Follow-Me			



A3

# LID POSITION



PROFESSIONAL CASES

Drawn by	Name	Date
paula.almeida	RG3A.FME	16/10/2025
Reference	RG3A.FME	
Scale	units in mm	general tolerance
1:16	DO NOT SCALE	0.8mm
1st Angle projection	FC Regie Sistema Follow-Me	



This drawing must not be copied or disclosed without consent of the owner

A3