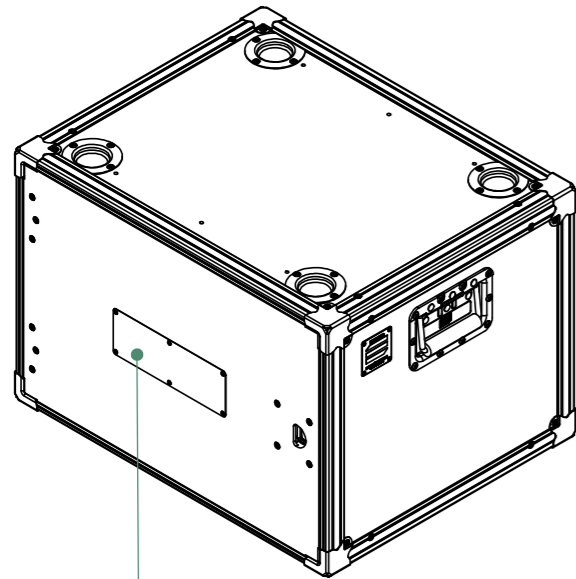
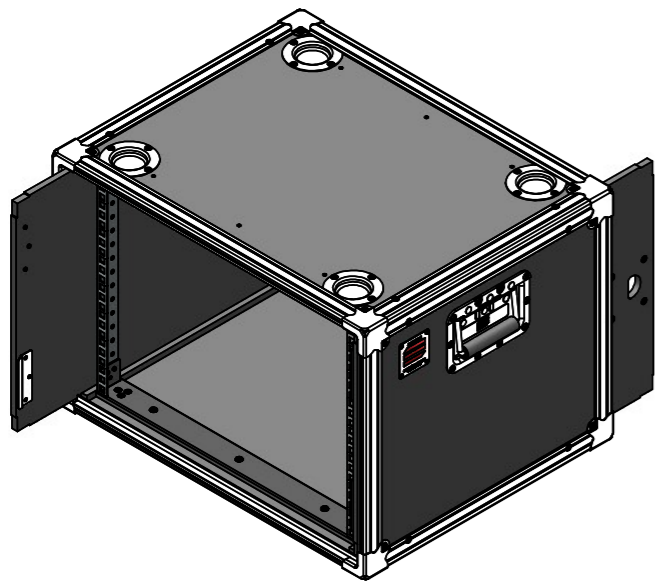


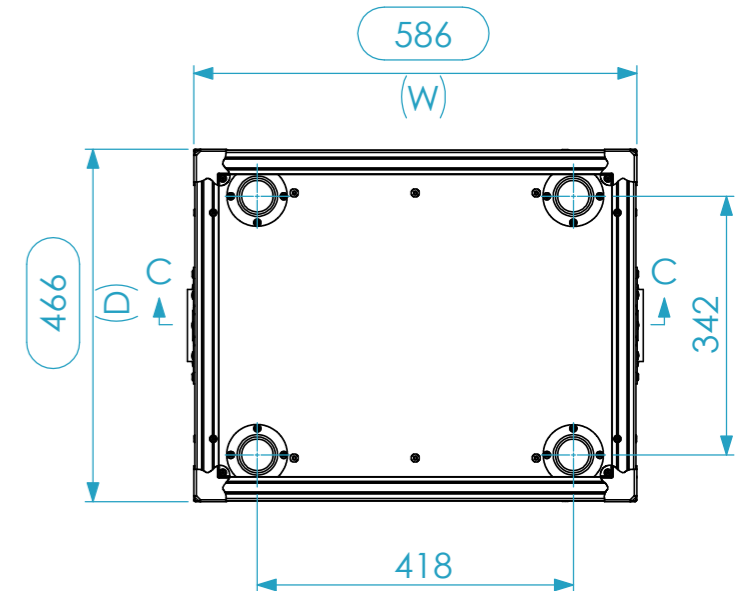
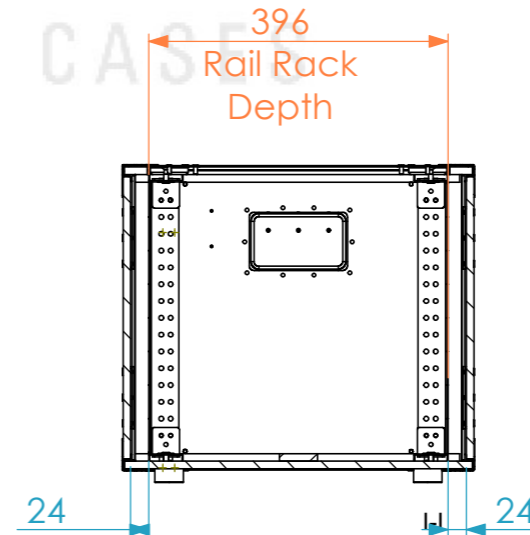
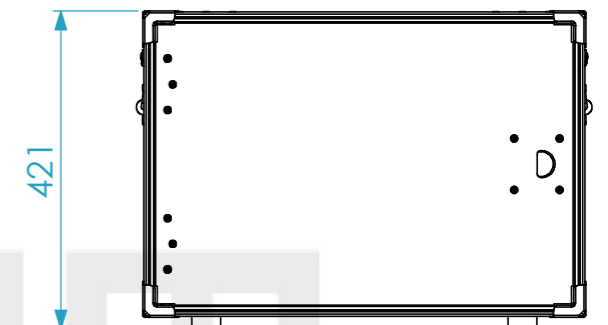
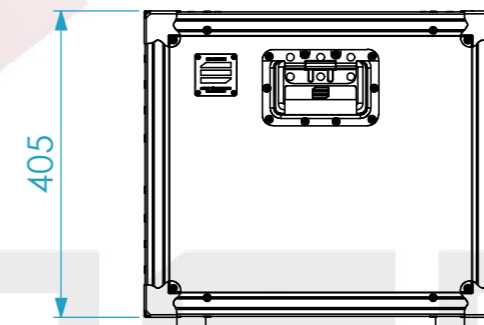
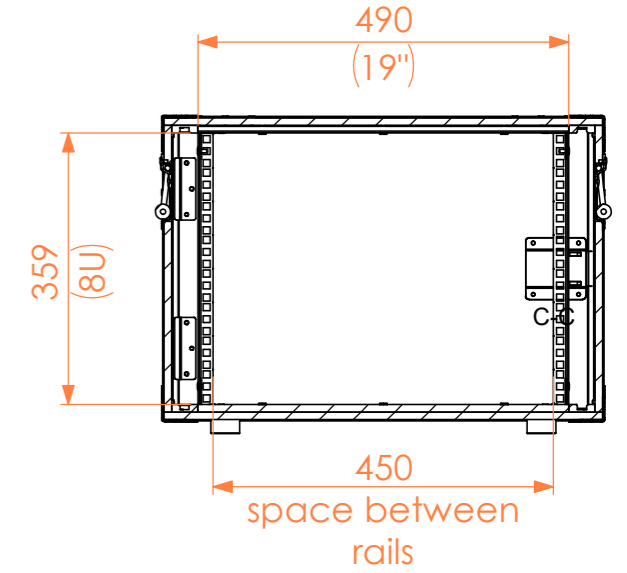
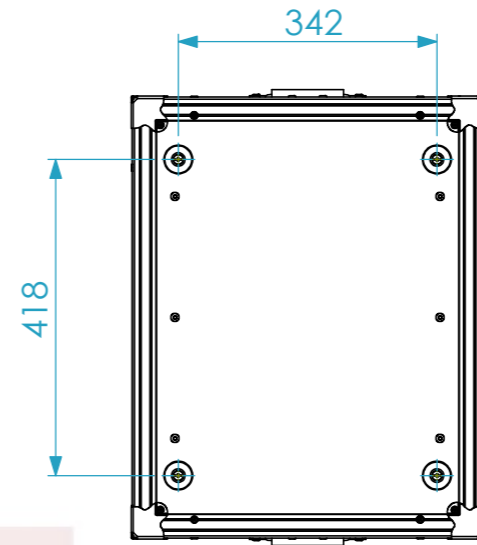
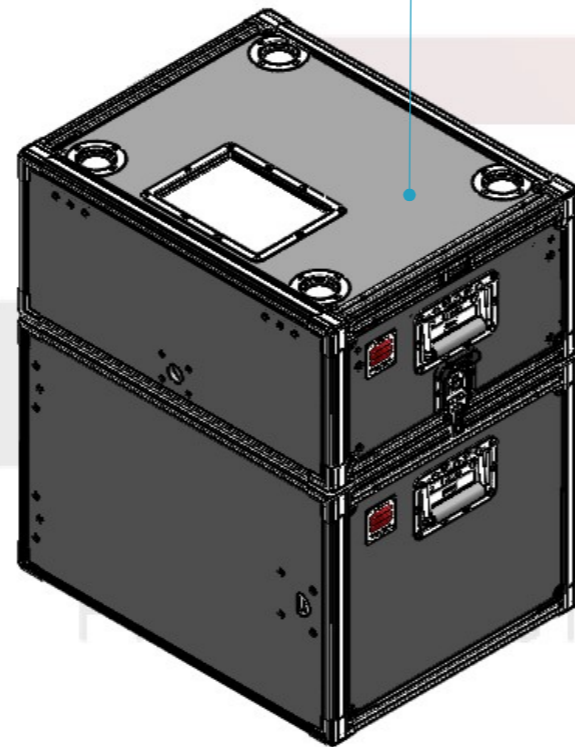
Internal Dimensions		
Width	Depth	Height
19"	396	8U
Weight	Approx. 15 Kg	
Wall Thickness	10mm	



Optional printing plate (*)



Stacks with RCS model



(*) Related Items, not included

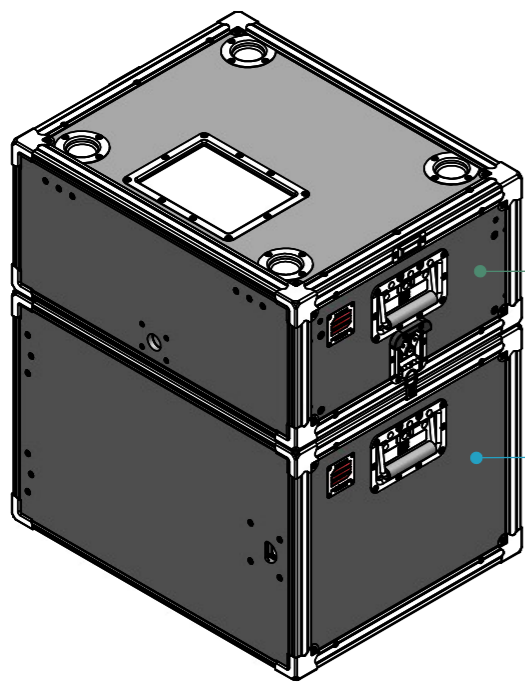
General External Dimensions		Usable Inner Dimensions (UID)	
W	Width	Wi	Inside Width
D	Depth	Di	Inside Depth
H	Height	Hi	Inside Height

This drawing must not be copied or disclosed without consent of the owner

Drawn by	Name	Date
alvaro.santos	alvaro.santos	15/10/2024
Reference	RED.0848	
Scale	units in mm	general tolerance
1:10	DO NOT SCALE	0.8mm
1st Angle projection	Rack XB-Rack 2C, 8U 306-BRR	



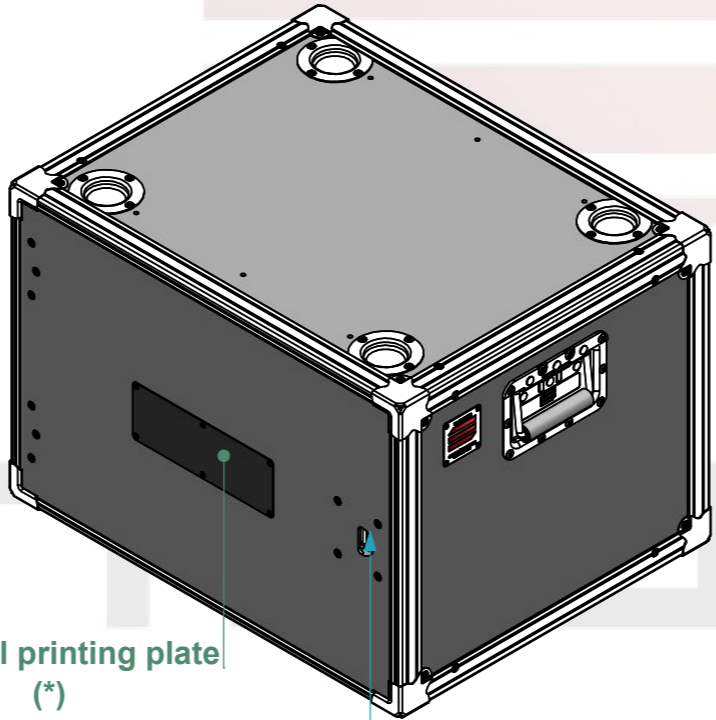
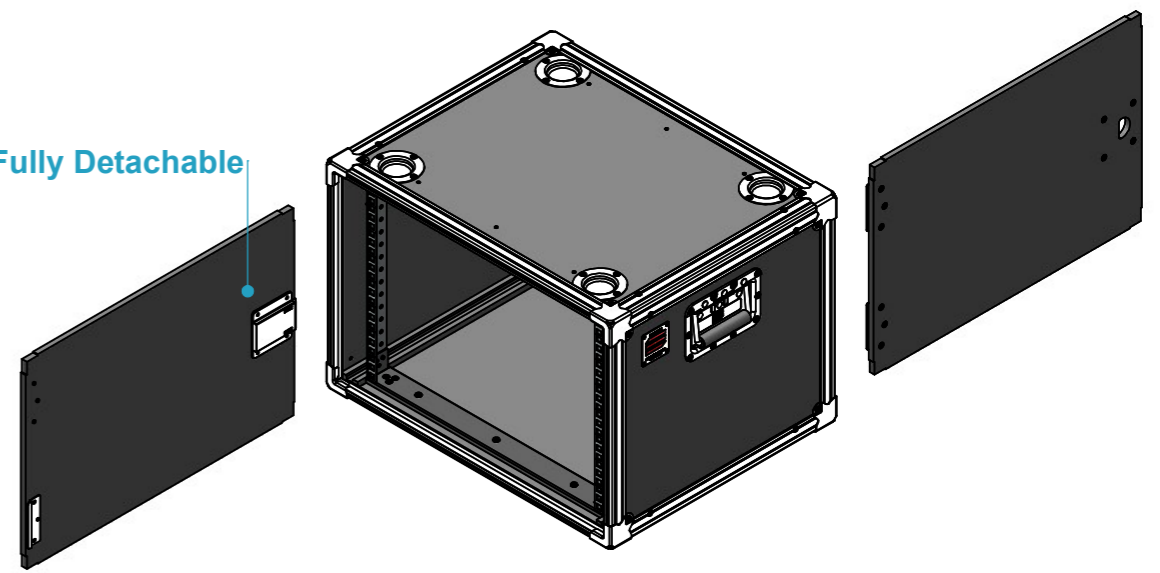
A3



RCS rack model
(*)

RED rack model

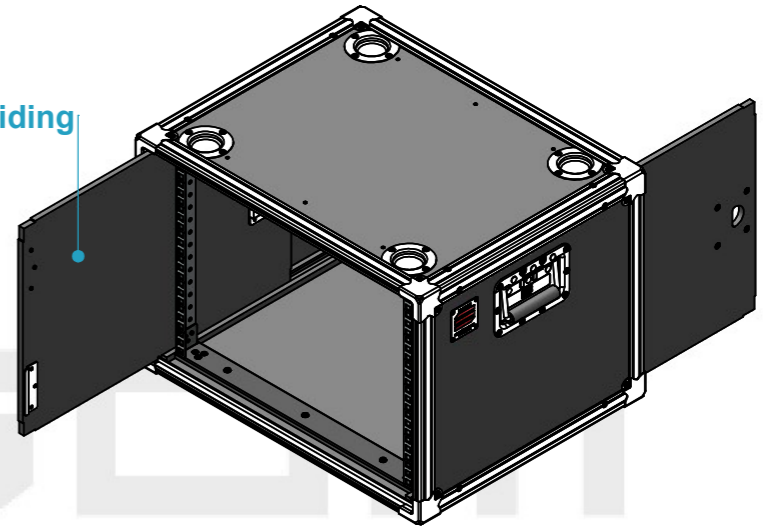
Fully Detachable



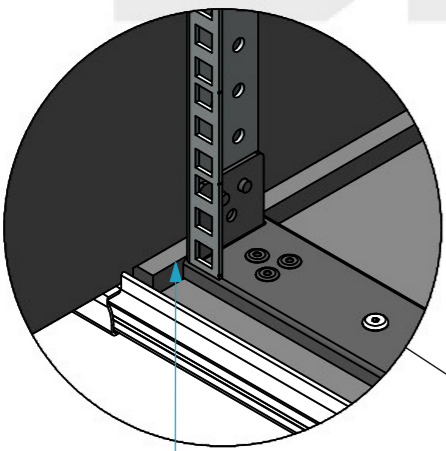
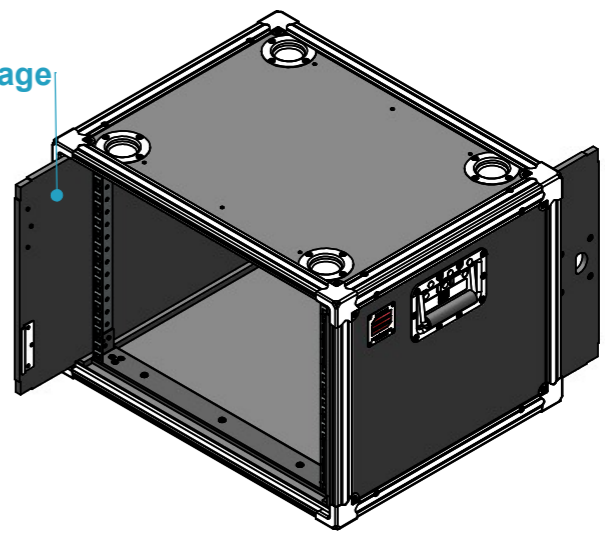
Optional printing plate
(*)

Inner Latch Lock

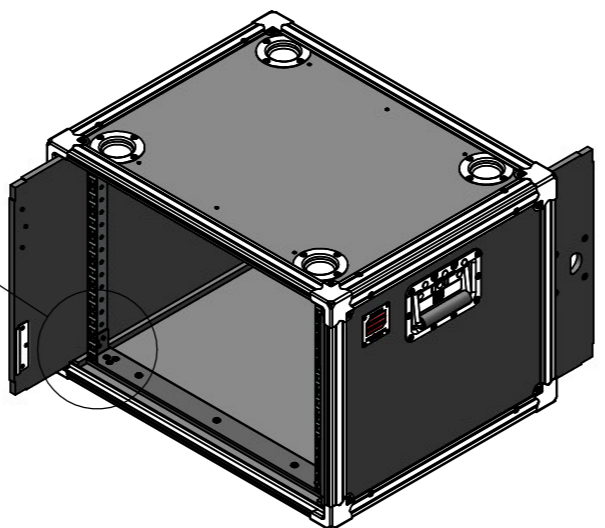
Side Sliding



Side Storage



Supported sliding



(*) Related Items, not included

A3

This drawing must not be copied or disclosed without consent of the owner

1st Angle projection

Drawn by	Name	Date
alvaro.santos	alvaro.santos	15/10/2024
Reference	RED.0848	
Scale	units in mm	general tolerance
1:1	DO NOT SCALE	0.8mm
Rack XB-Rack 2C, 8U 306-BRR		

