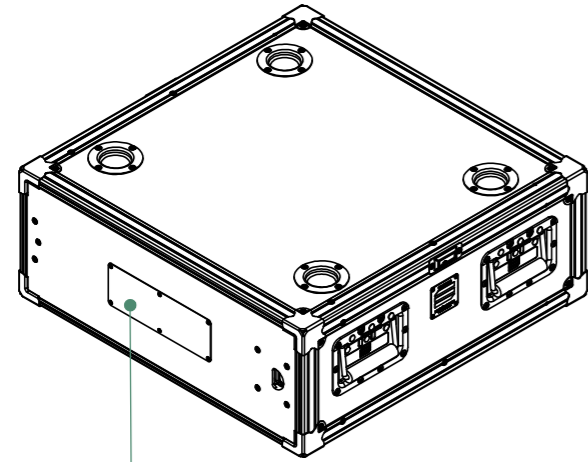
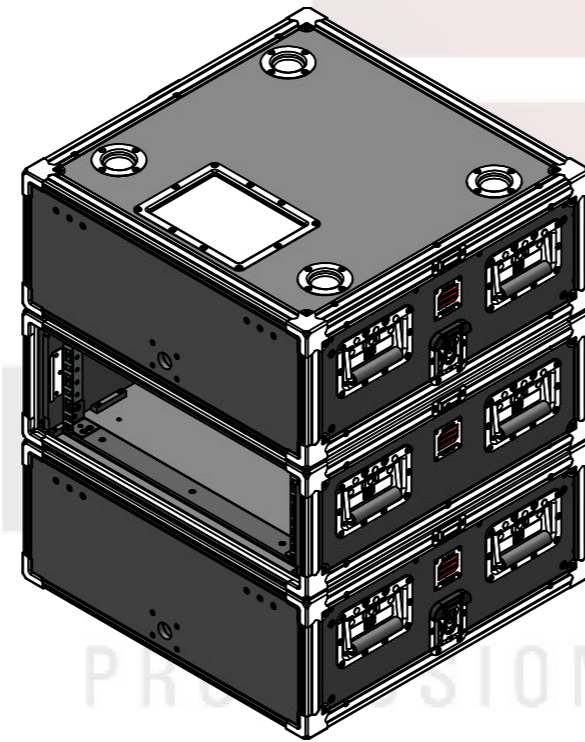
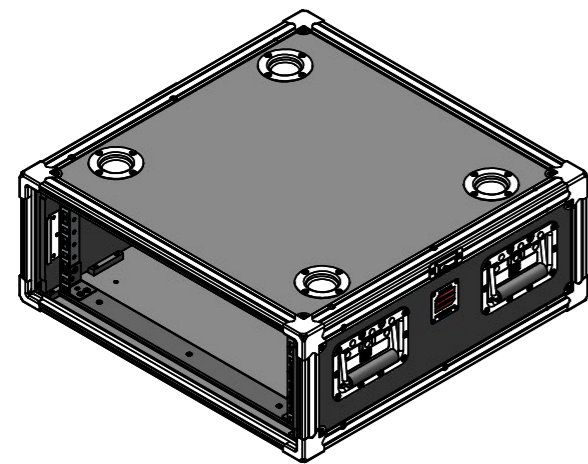


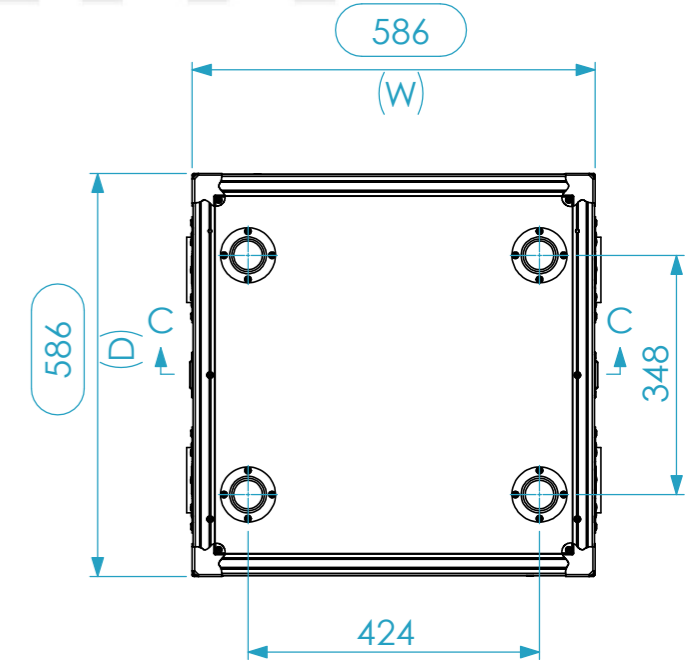
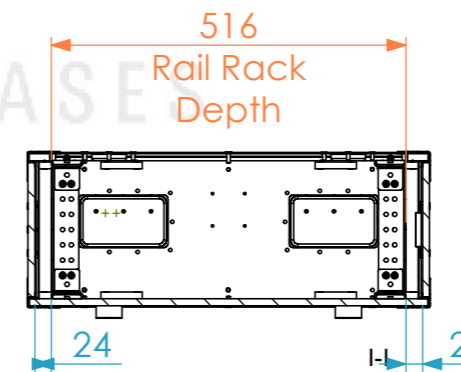
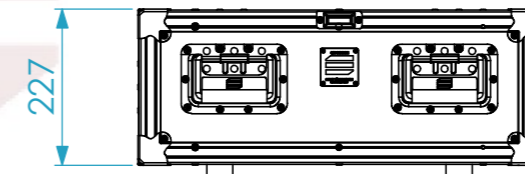
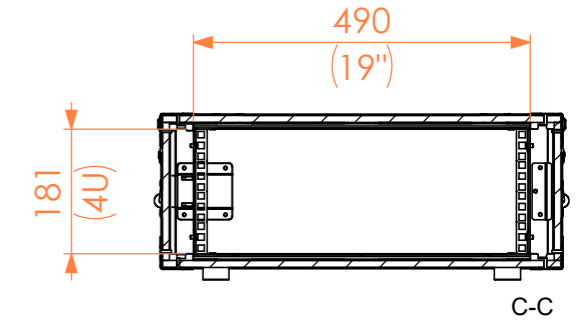
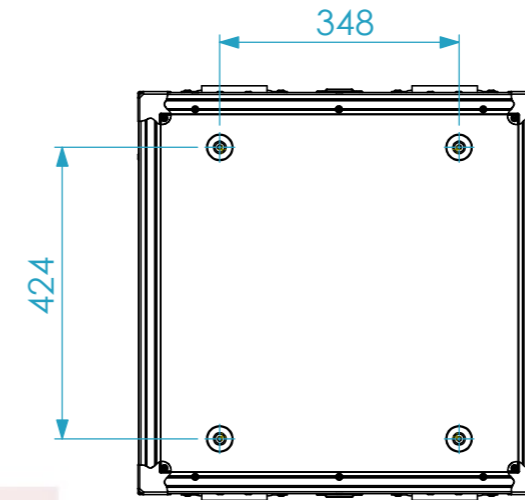
Internal Dimensions		
Width	Depth	Height
19"	396	8U
Weight	Approx. 14 Kg	
Wall Thickness	10mm	



Optional printing plate (\*)



Stacks with RCS model



(\*) Related Items, not included

General External Dimensions		Usable Inner Dimensions (UID)	
W	Width	Wi	Inside Width
D	Depth	Di	Inside Depth
H	Height	Hi	Inside Height

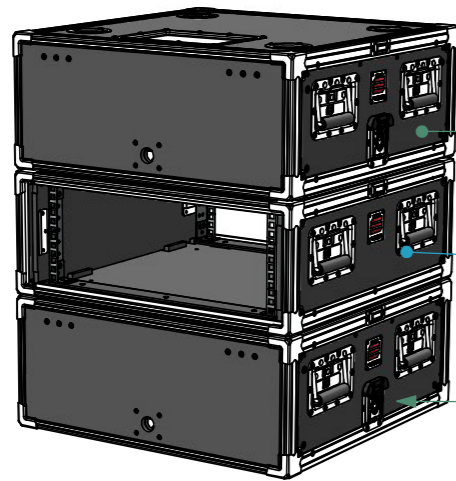
This drawing must not be copied or disclosed without consent of the owner

Drawn by	Name	Date
alvaro.santos	alvaro.santos	05/03/2024
Reference	RED.0460	
Scale	units in mm	general tolerance
1:1	DO NOT SCALE	0.8mm
1st Angle projection	Rack XB-Rack 2C, 8U 306-BRR	



A3

Stacks with RCS model

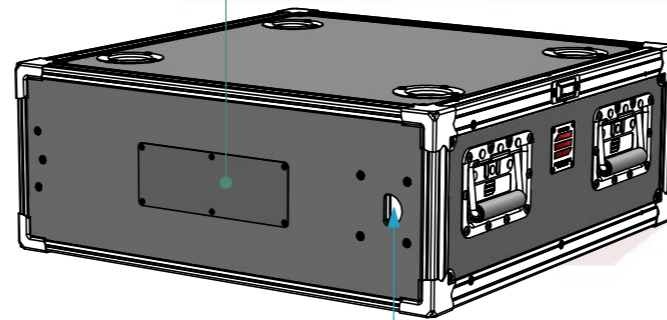


RCS rack model (\*)

RED rack model

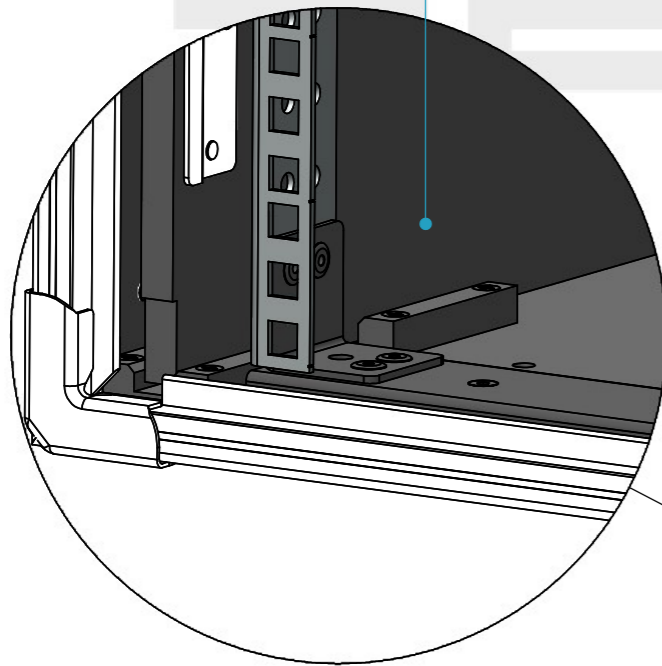
RCS rack model (\*)

Optional printing plate (\*)

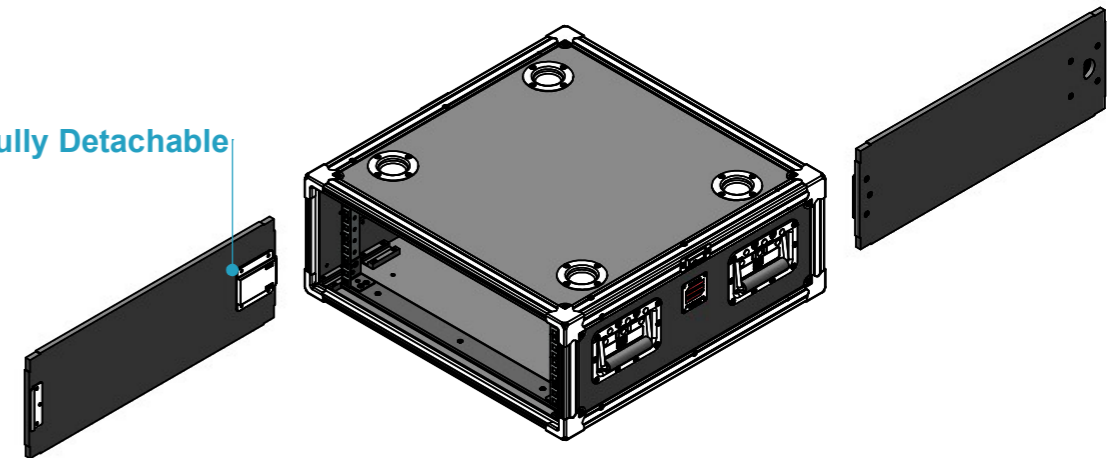


Inner Latch Lock

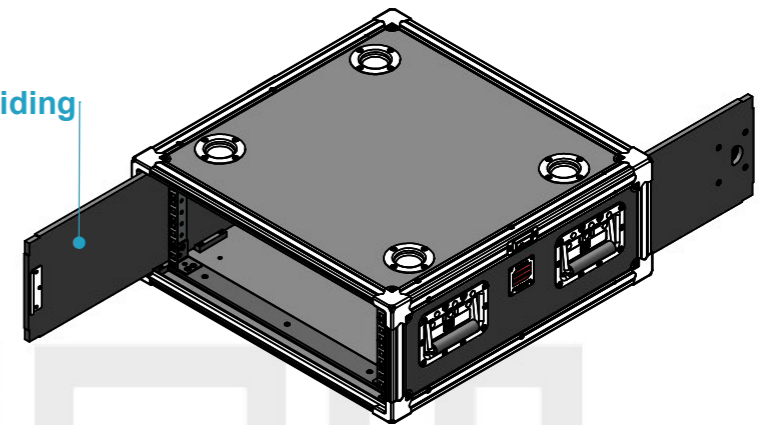
Supported sliding



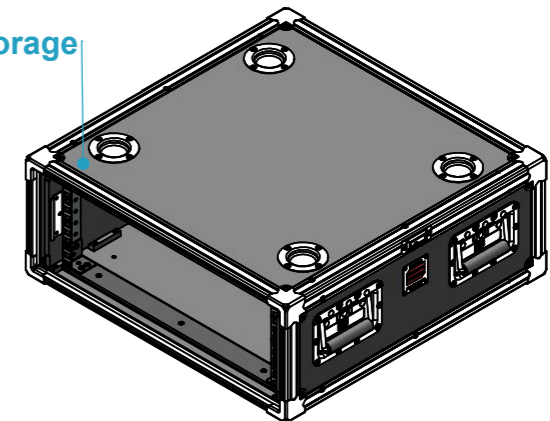
Fully Detachable



Side Sliding



Side Storage



(\*) Related Items, not included

SANTOSOM  
PROFESSIONAL CASES

	Name	Date
Drawn by	alvaro.santos	05/03/2024
Reference	RED.0460	

Scale 1:12	units in mm	general tolerance 0.8mm
	DO NOT SCALE	
Rack XB-Rack 2C, 8U 306-BRR		



This drawing must not be copied or disclosed without consent of the owner



A3