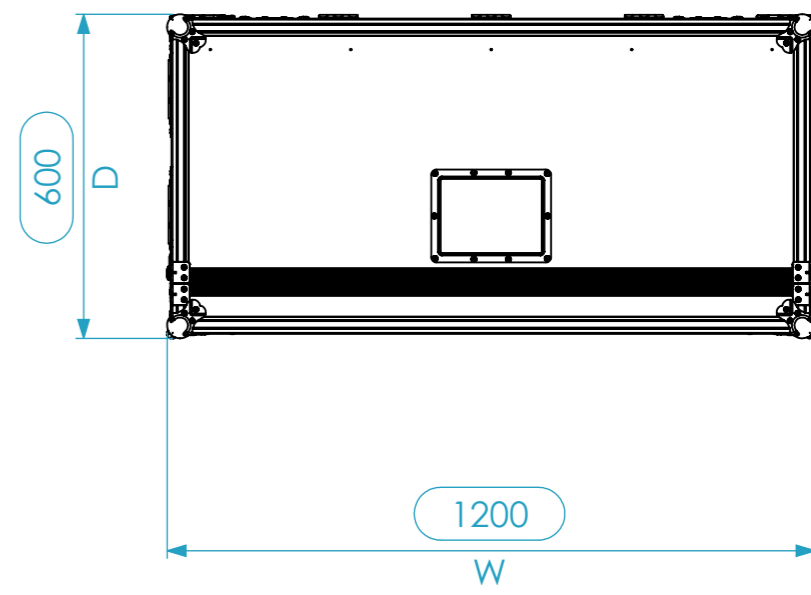
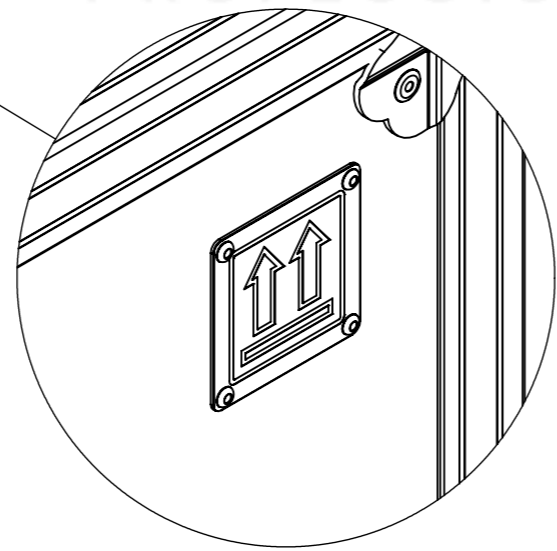
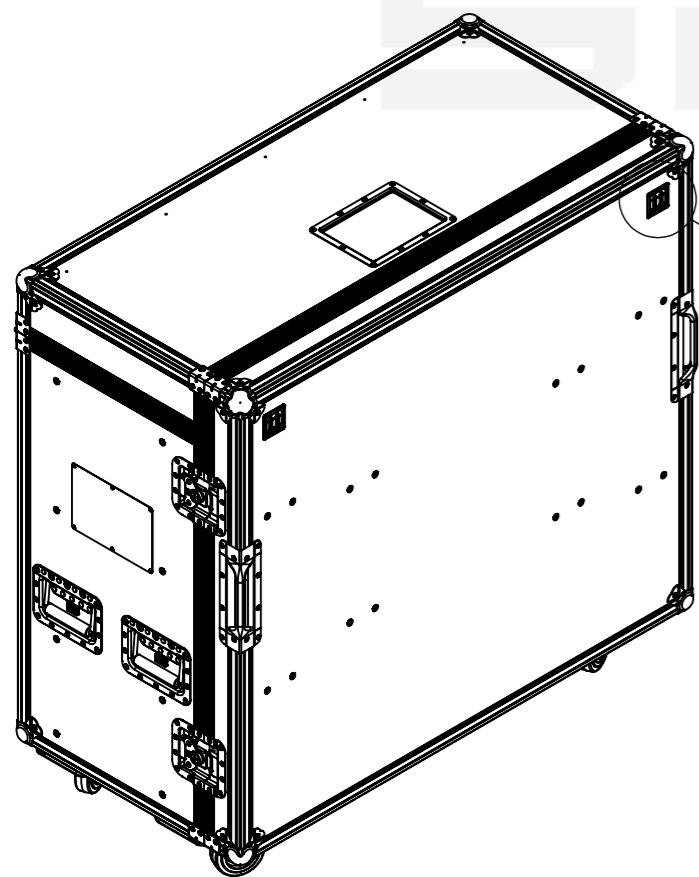
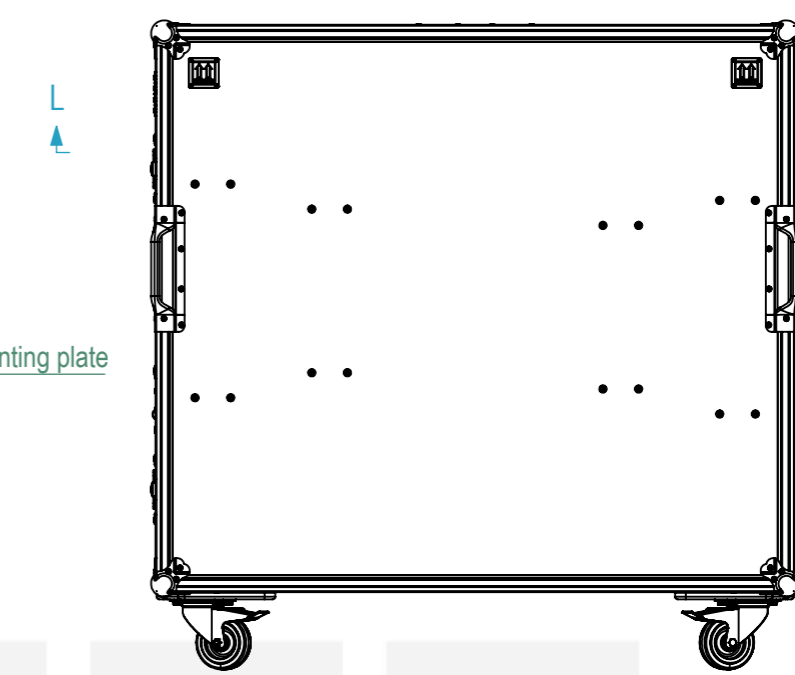
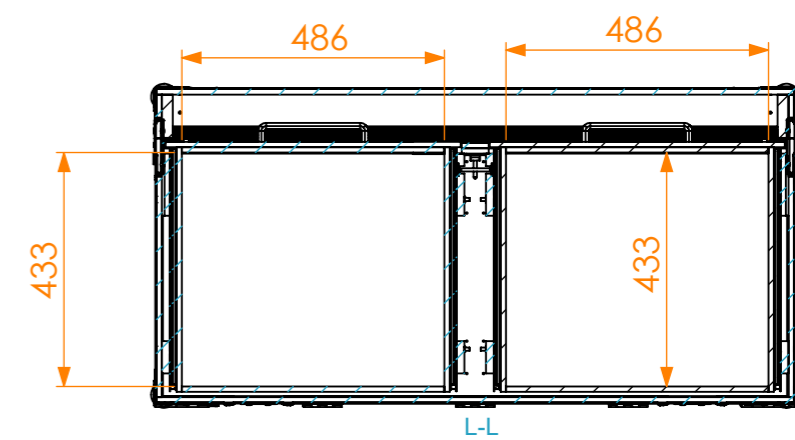
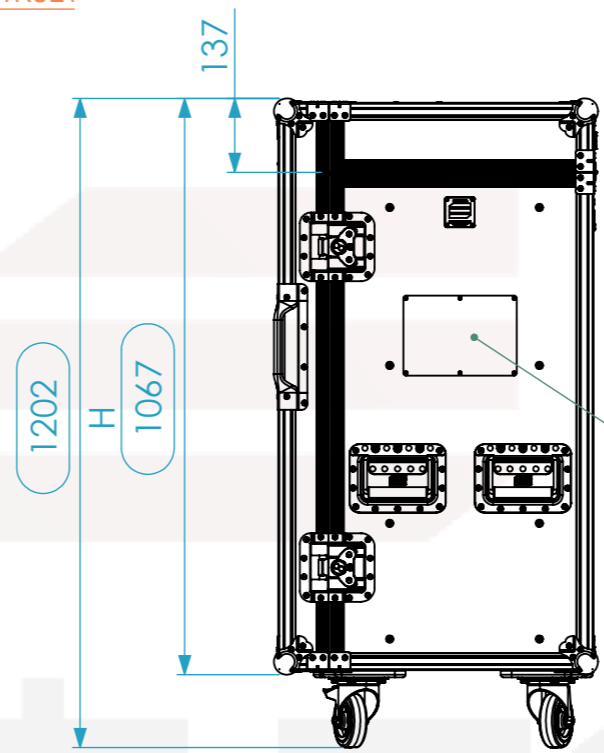
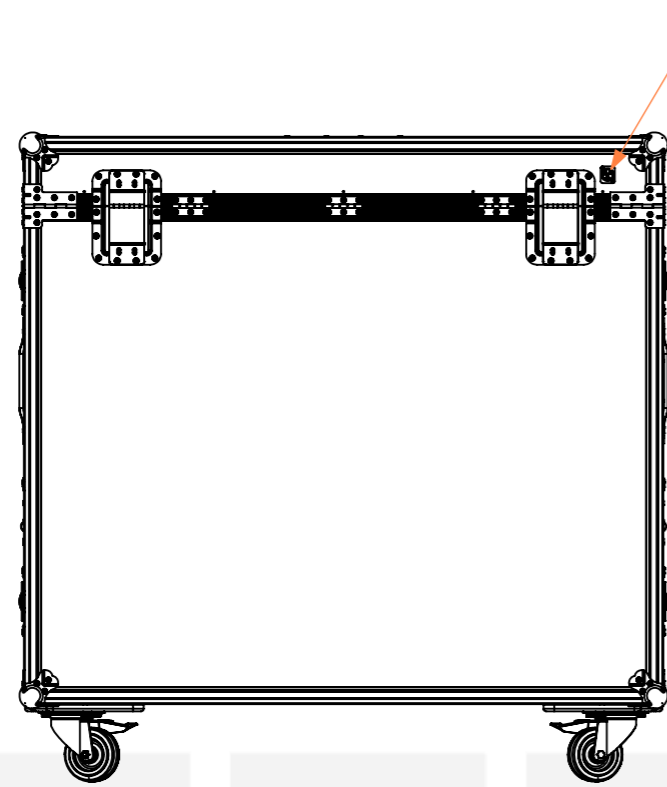


Dimensions

Width	Depth	Height
1200	600	1200
Weight	Approx. 122 Kg	
Wall Thickness		10mm



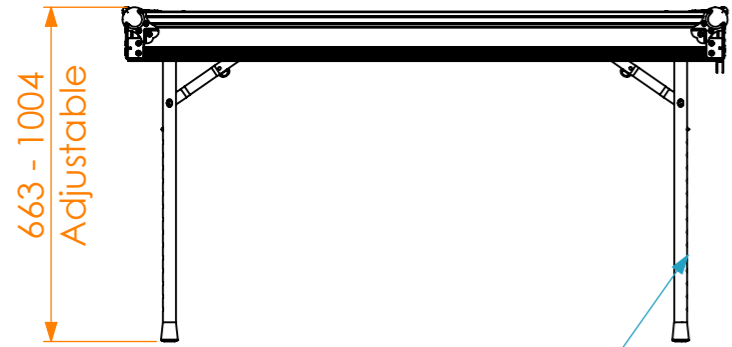
General External Dimensions		Usable Inner Dimensions	
W	Width	Wi	Inside Width
D	Depth	Di	Inside Depth
H	Height	Hi	Inside Height

This drawing must not be copied or disclosed without consent of the owner

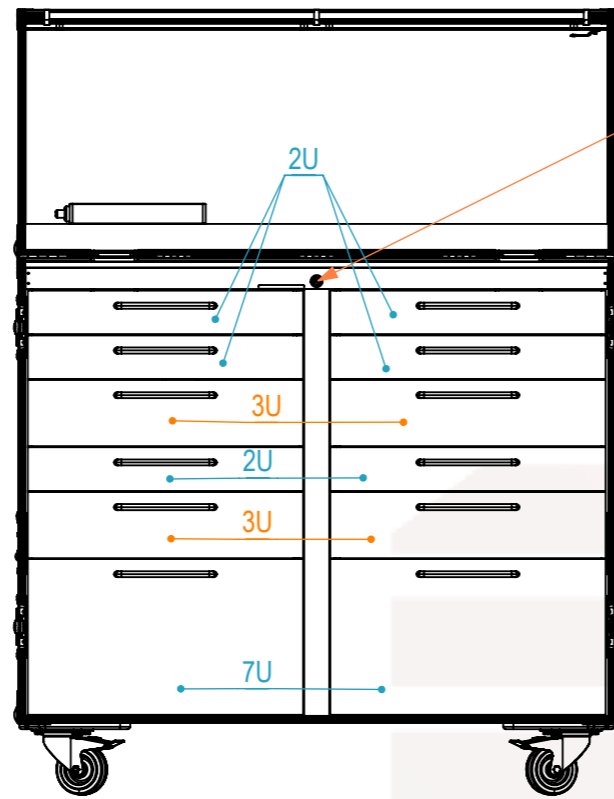
Drawn by	Name	Date
paula.almeida		01/08/2025
Reference	RDCSD.12012	
Scale	units in mm	general tolerance
1:14	DO NOT SCALE	0.8mm
1st Angle projection	Road case Serie 120, 19U 12 drawers	



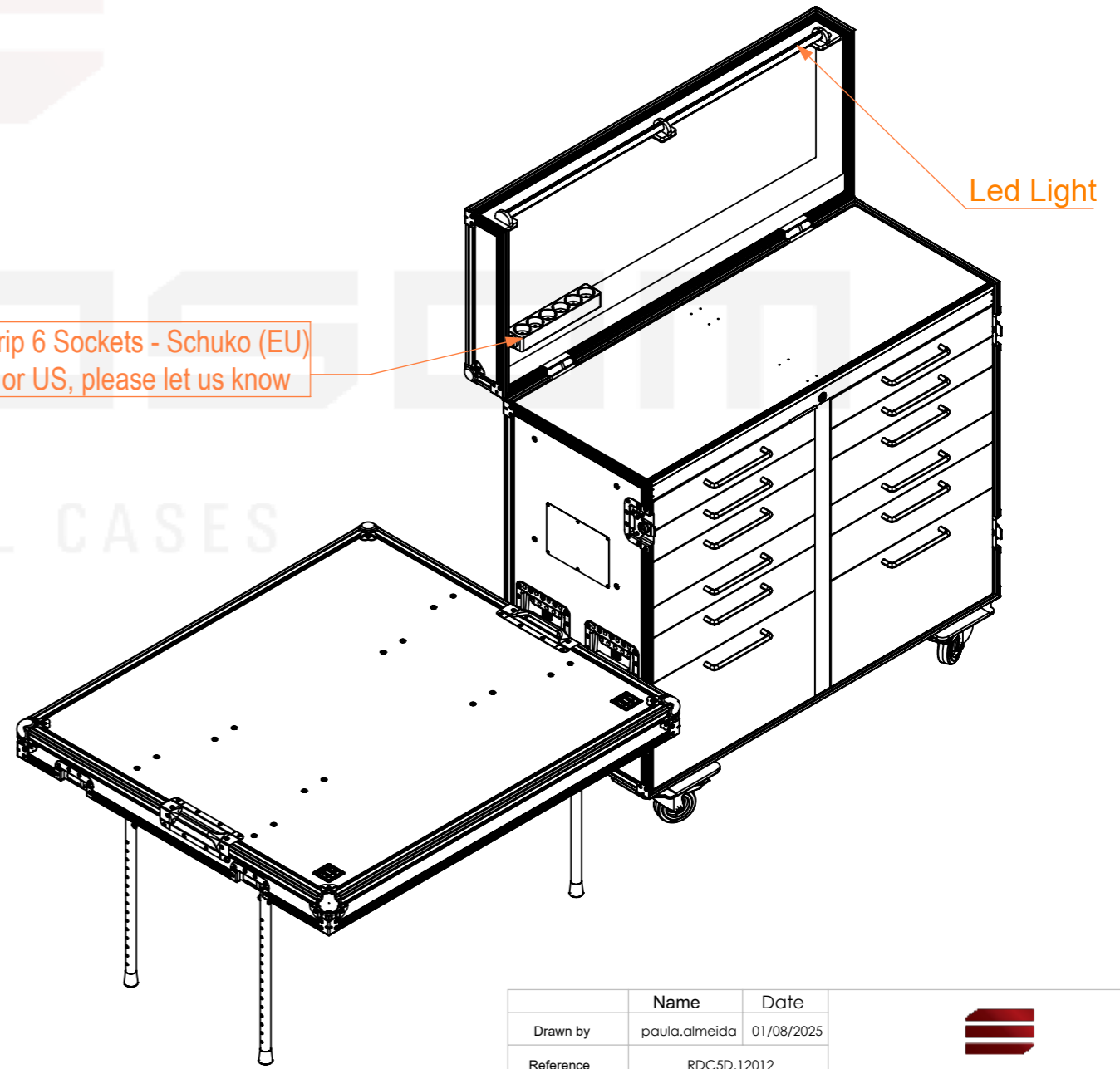
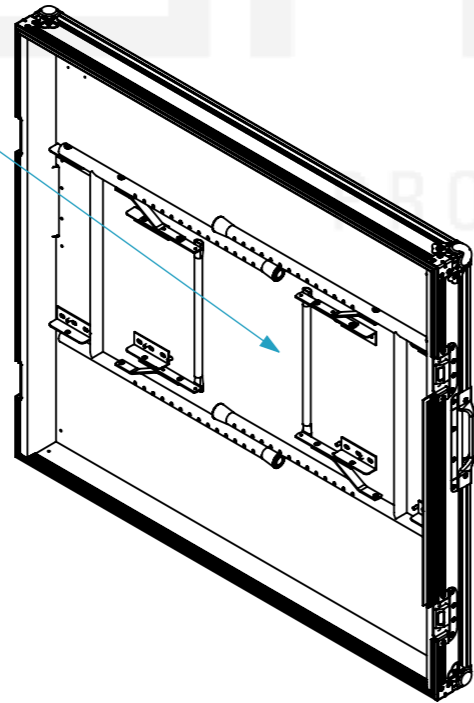
A3



Telescopic table legs inside to allow using lid as desk



Standard: Power Strip 6 Sockets - Schuko (EU)
For Power Strip UK or US, please let us know



Drawn by	Name	Date
paula.almeida		01/08/2025
Reference	RDCSD.12012	
Scale	units in mm	general tolerance
1:15	DO NOT SCALE	0.8mm
Road case Serie 120, 19U 12 drawers		



This drawing must not be copied or disclosed without consent of the owner

1st Angle projection

A3