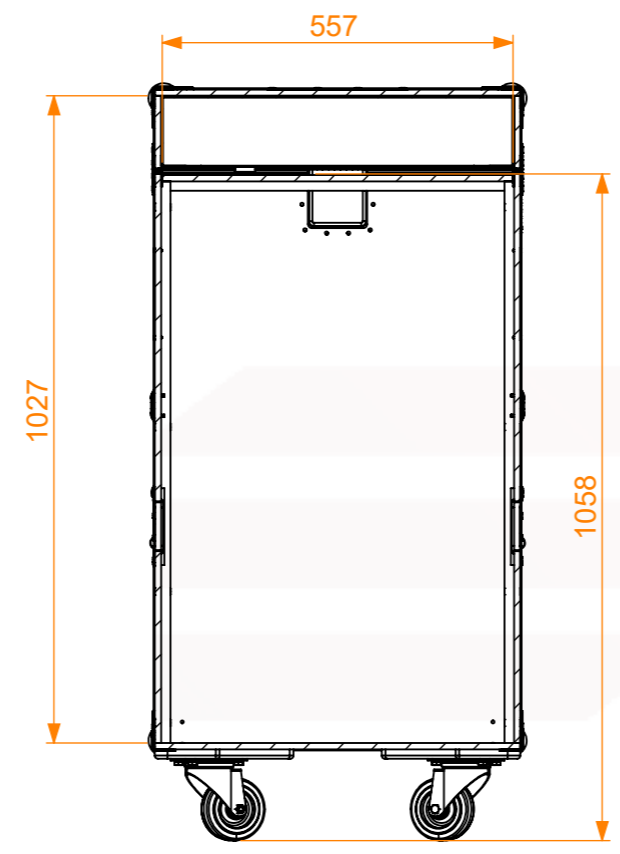
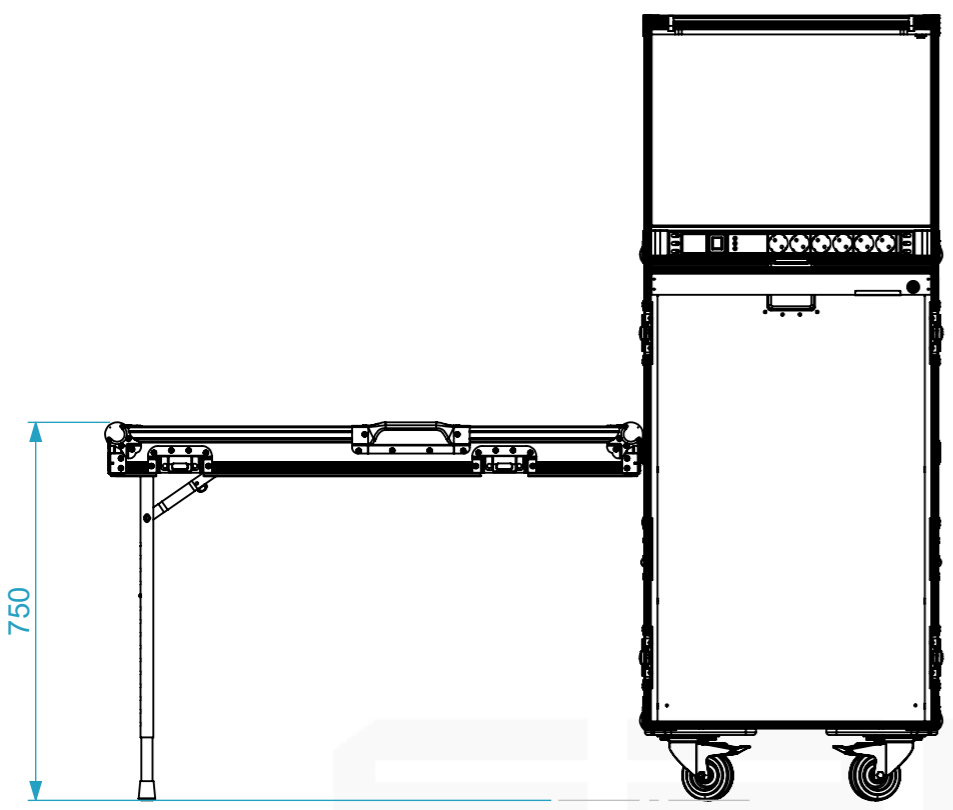
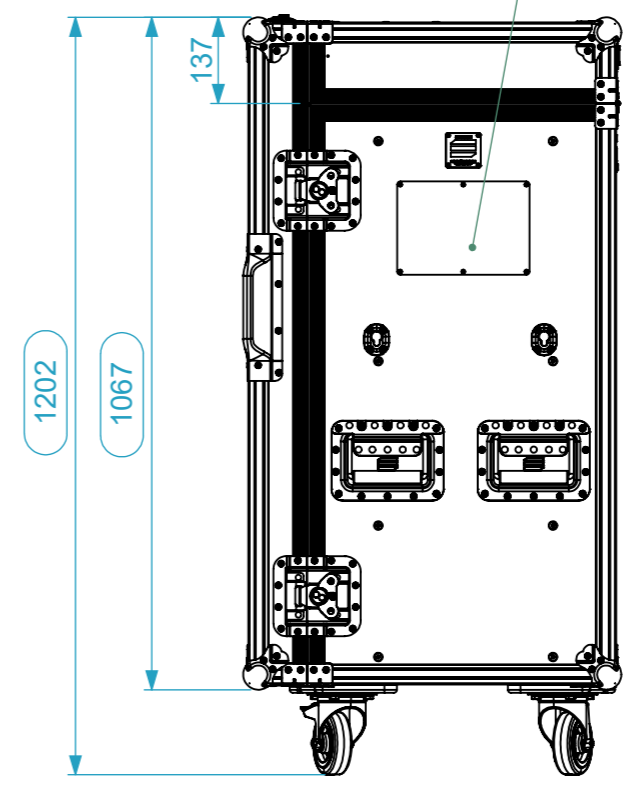


Dimensions

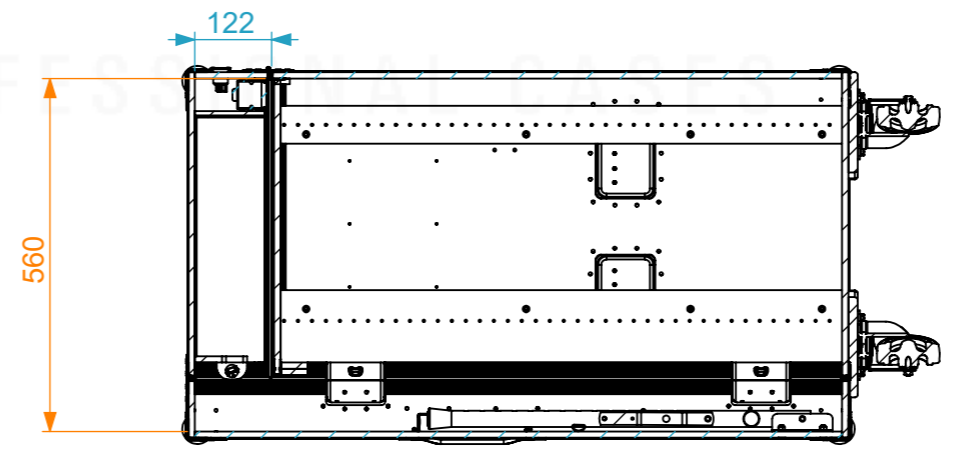
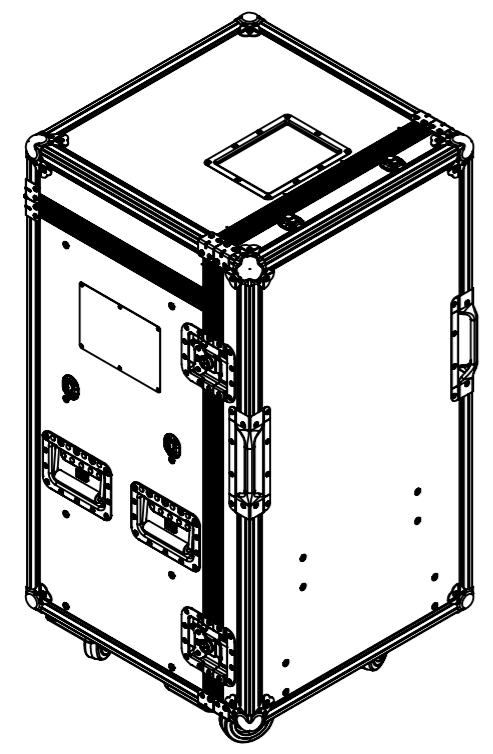
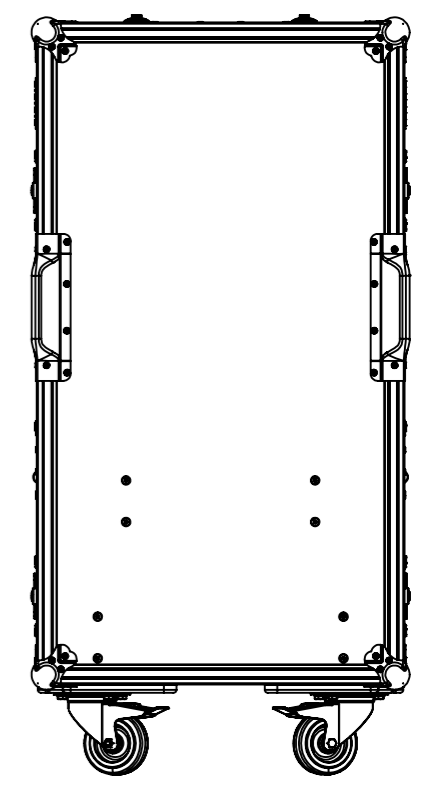
Width	Depth	Height
600	600	1200
Weight	Approx. 45 Kg	
Wall Thickness		10mm



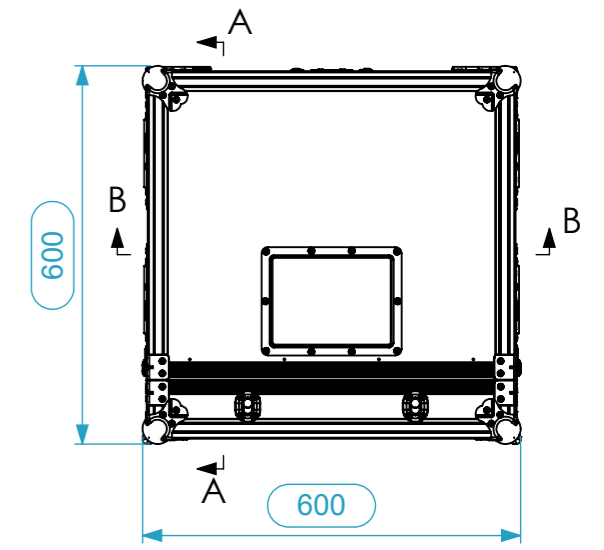
SECTION B-B



Optional printing plate



SECTION A-A



General External Dimensions		Usable Inner Dimensions	
W	Width	Wi	Inside Width
D	Depth	Di	Inside Depth
H	Height	Hi	Inside Height

A3 This drawing must not be copied or disclosed without consent of the owner

Drawn by	Name	Date
CarlaSilva	CarlaSilva	05/06/2025
Reference	RDC5.120	
Scale	units in mm	general tolerance
1:12	DO NOT SCALE	0.8mm
1st Angle projection	Roadcase BASE 5 Serie 120, 19U	

