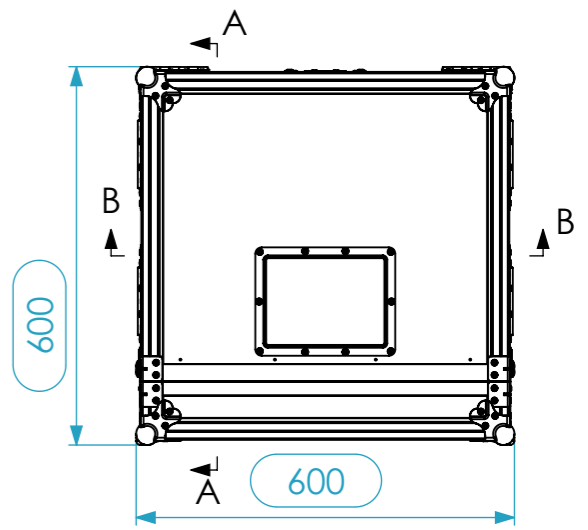
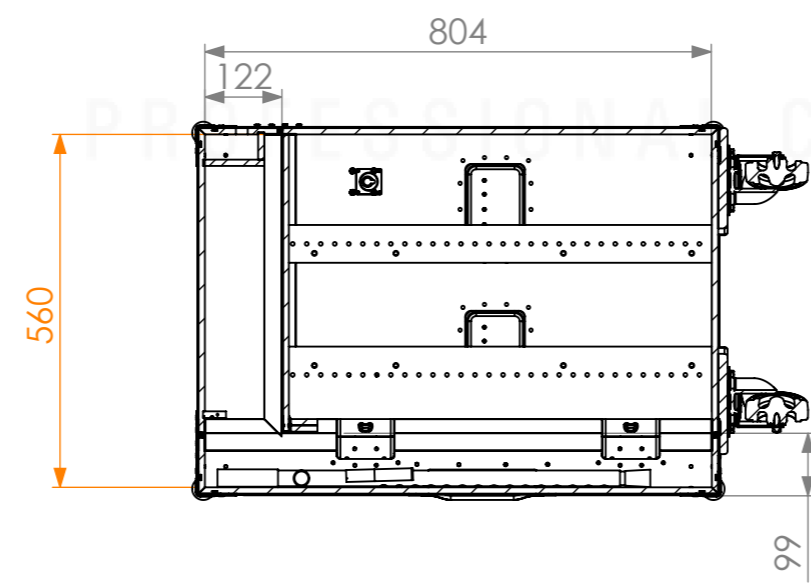
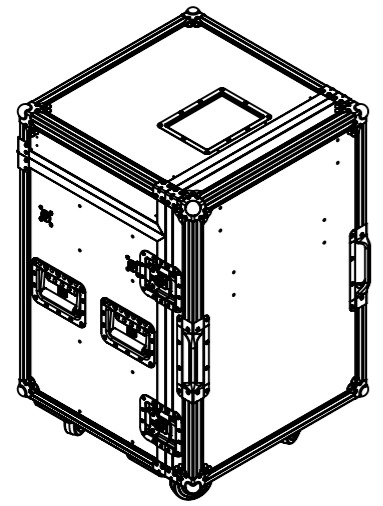
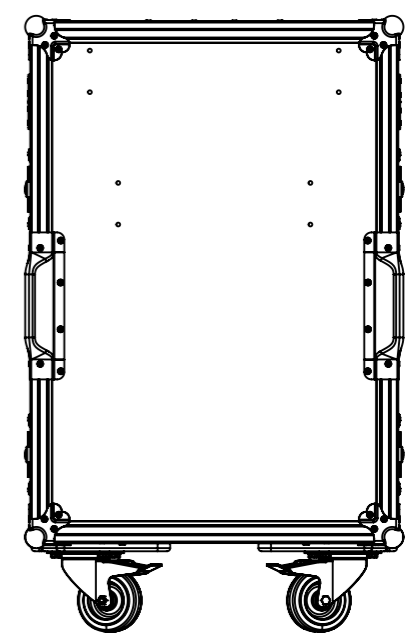
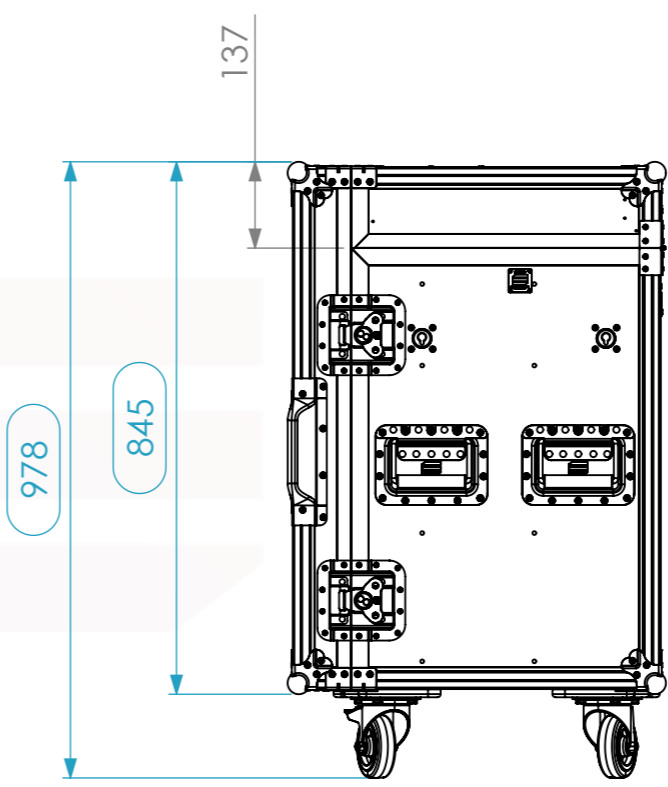
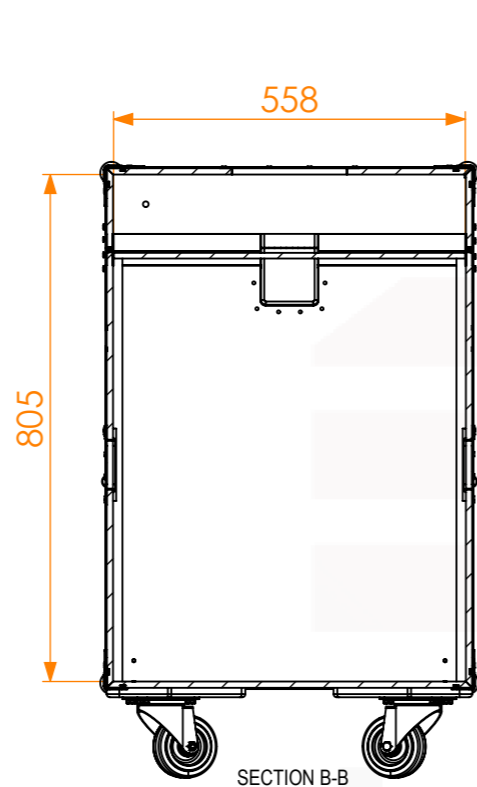
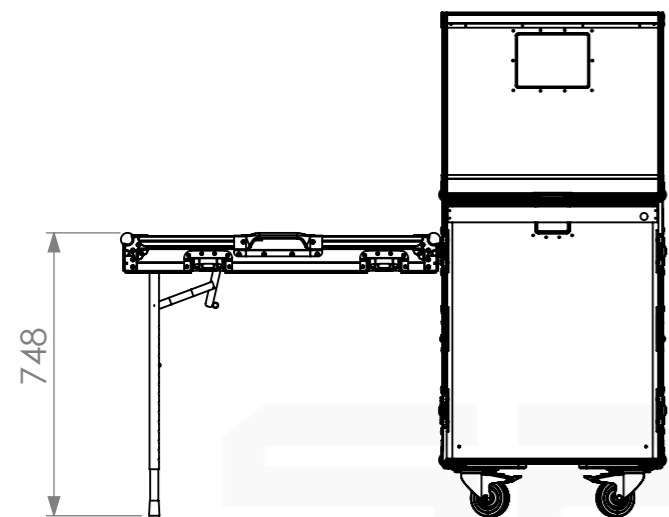


Internal Dimensions		
Width	Depth	Height
558	560	20U
Weight	Approx. 38 Kg	
Wall Thickness		10mm



General External Dimensions		Usable Inner Dimensions	
W	Width	Wi	Inside Width
D	Depth	Di	Inside Depth
H	Height	Hi	Inside Height

This drawing must not be copied or disclosed without consent of the owner

Drawn by	Name	Date
CarlaSilva	CarlaSilva	05/03/2020
Reference	RDC5.018	
Scale	units in mm	general tolerance
1:12	DO NOT SCALE	0.8mm
1st Angle projection	FC P / ROADCASE 18	

