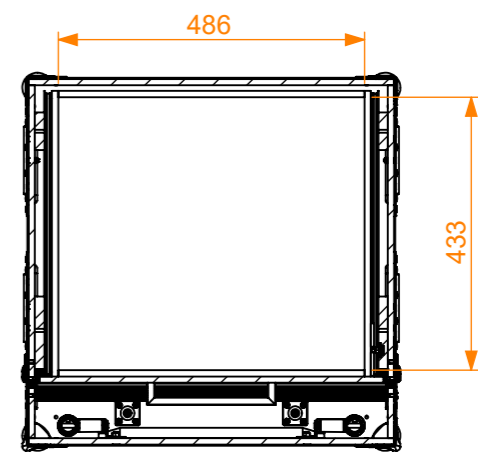
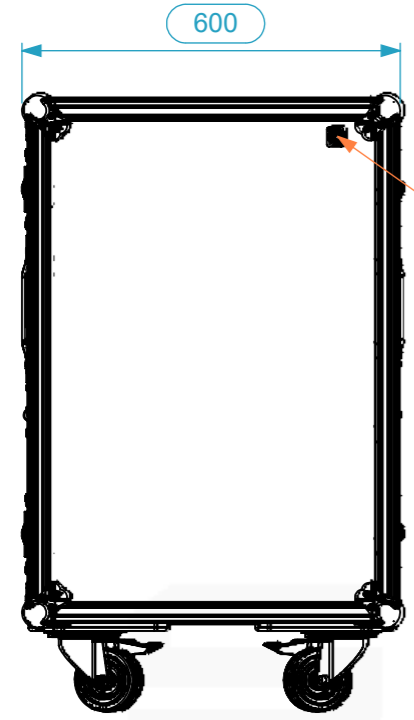


Dimensions

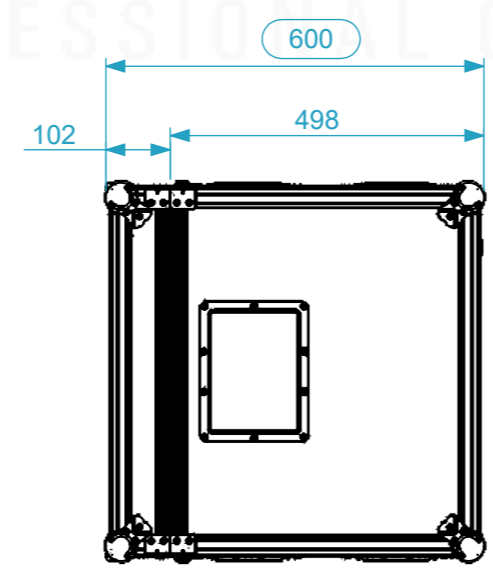
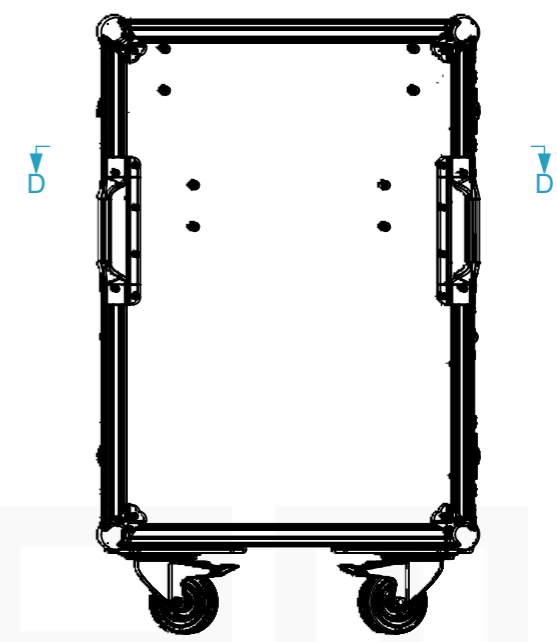
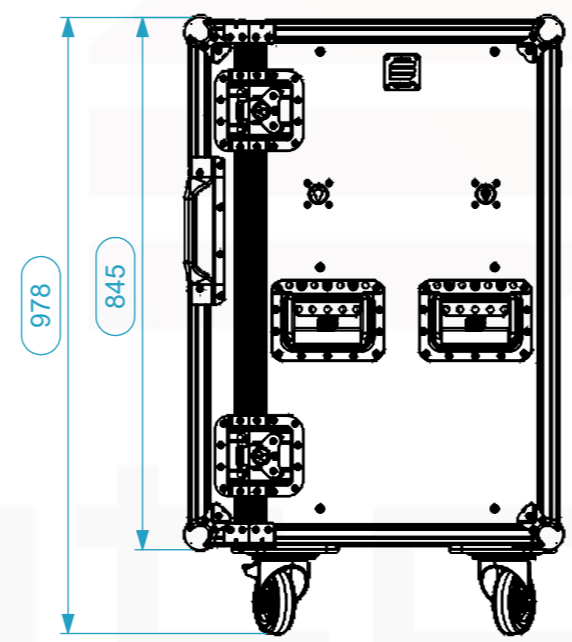
Width	Depth	Height
600	600	978
Weight	Approx. 57.40 Kg	
Wall Thickness		10mm



D-D



POWERCON TRUE1



General External Dimensions	
W	Width
D	Depth
H	Height

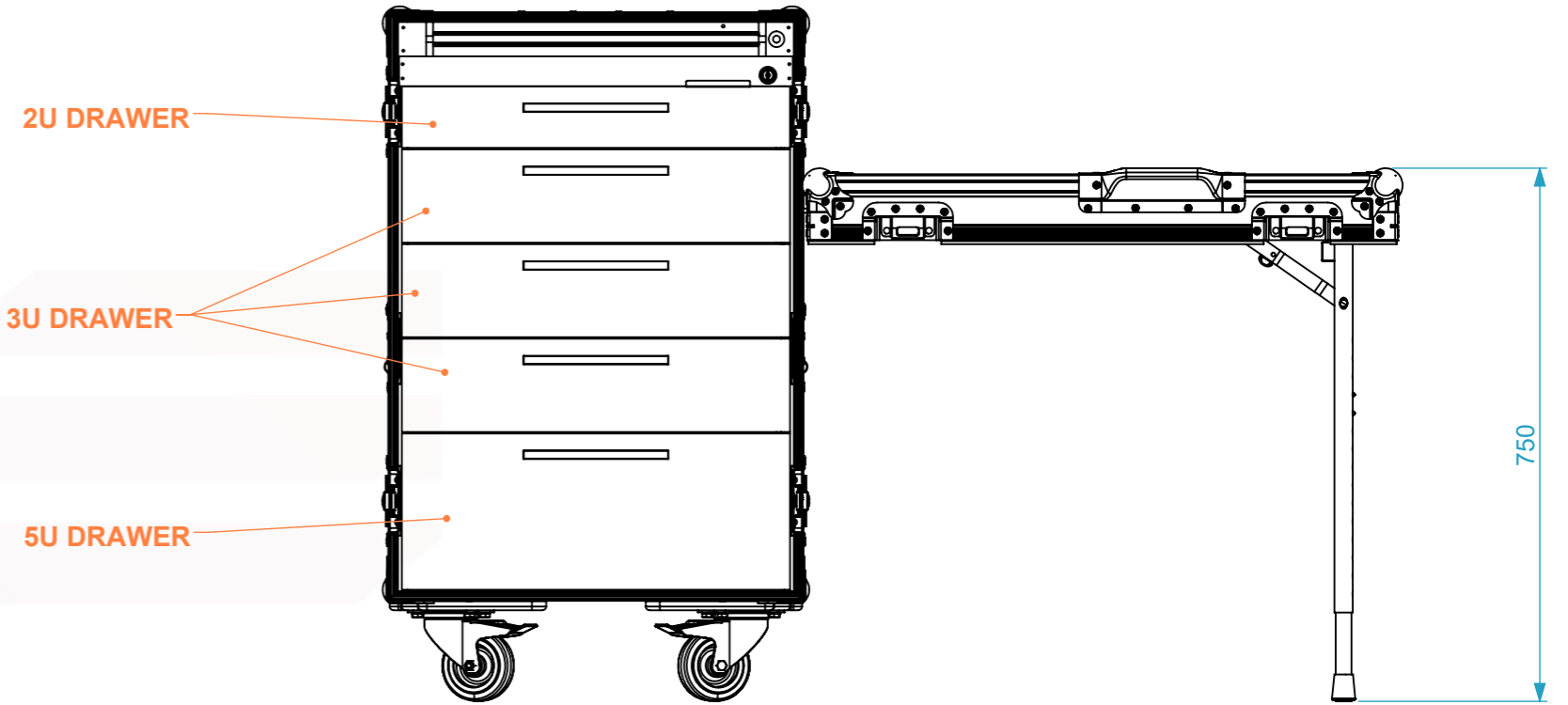
Name	Paula Almeida	Date	19/01/2023
Reference	RDC4.10005B		
Scale	1:12	units in mm	DO NOT SCALE
		general tolerance	0.8mm
Roadcase Serie 100 16U 5 drawers: 2, 3, 3, 3, 5U			



This drawing must not be copied or disclosed without consent of the owner



A3



santosom
PROFESSIONAL CASES

	Name	Date
Drawn by	paula.almeida	19/01/2023
Reference	RDC4.10005B	
Scale	units in mm	general tolerance
1:10	DO NOT SCALE	0.8mm
Roadcase Serie 100 16U 5 drawers: 2, 3, 3, 3, 5U		



This drawing must not be copied or disclosed without consent of the owner



A3