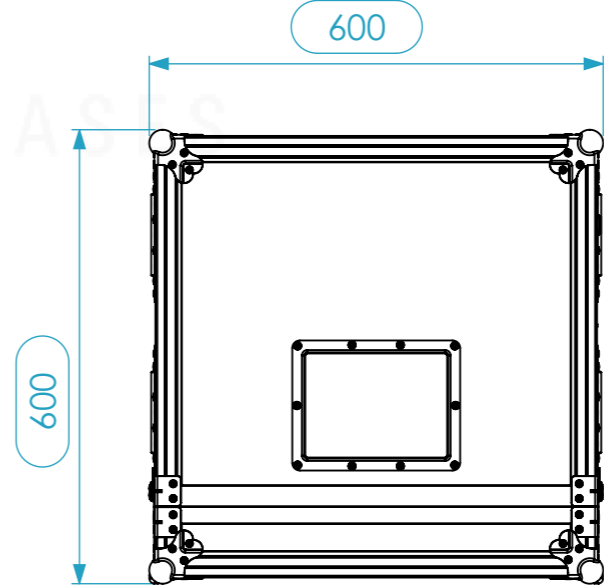
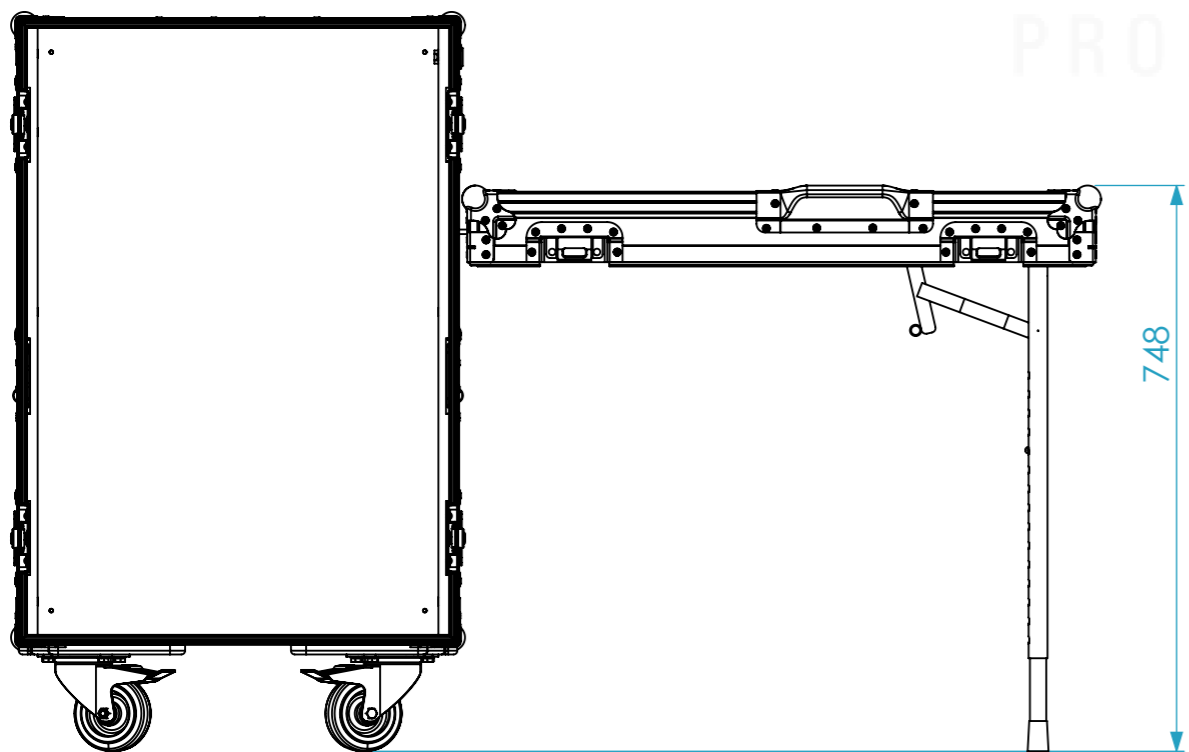
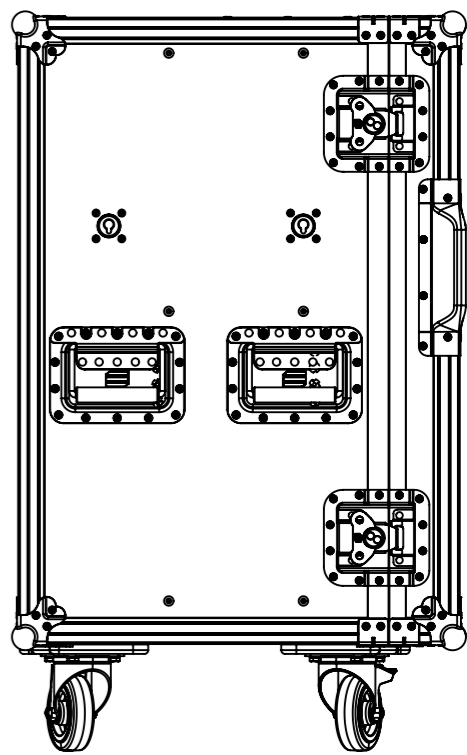
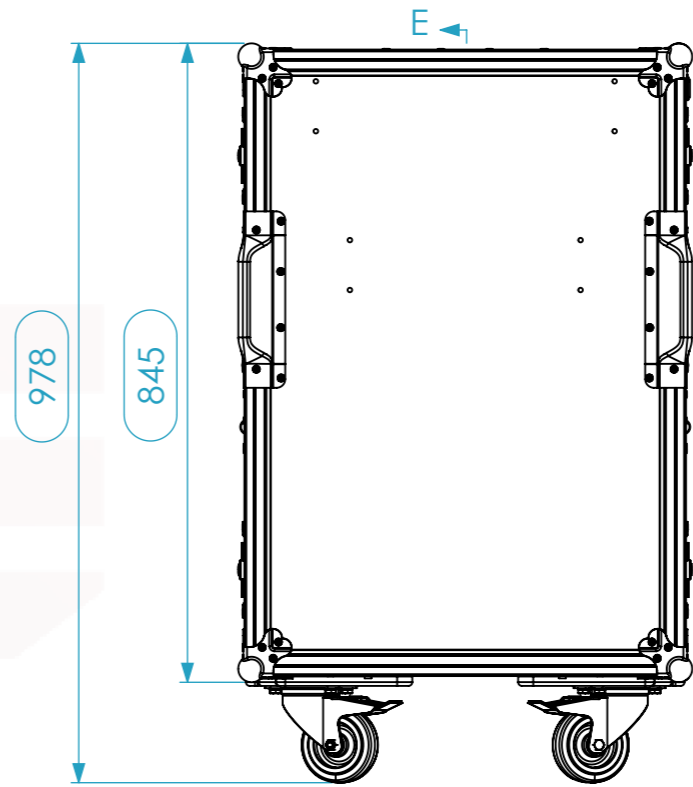
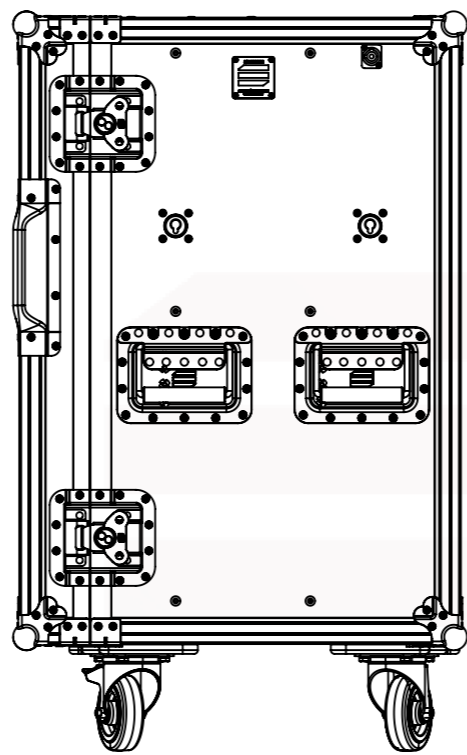
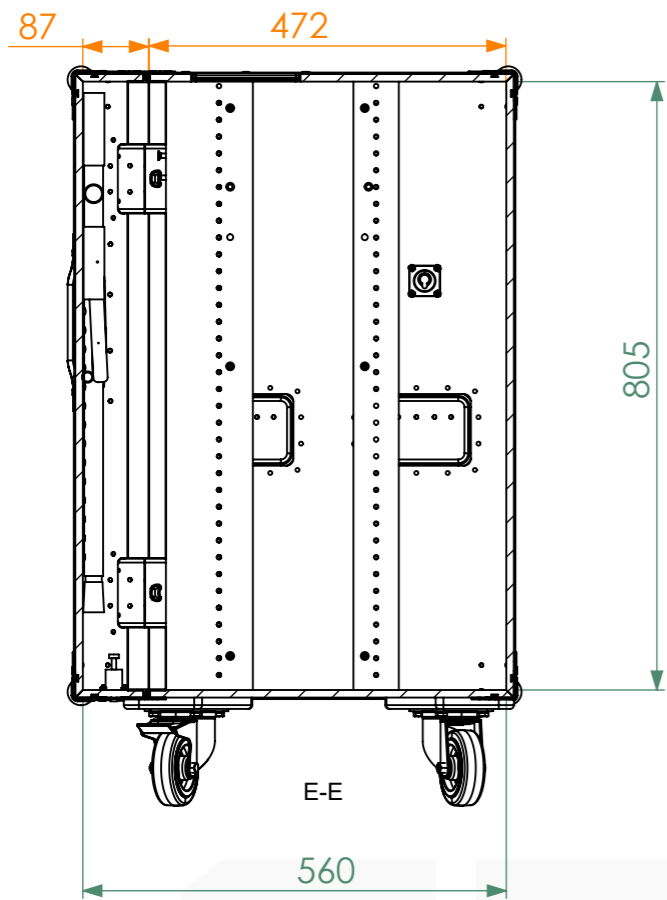


Internal Dimensions		
Width	Depth	Height
530	481	18 UN
Weight	Approx. 35 Kg	
Wall Thickness		10mm



A3

This drawing must not be copied or disclosed without consent of the owner



Scale 1:10

units in mm DO NOT SCALE general tolerance 0.8mm

Drawn by	Name	Date
CarlaSilva	CarlaSilva	14/09/2020
Reference	RDC4.018	

FC X3, 18U

