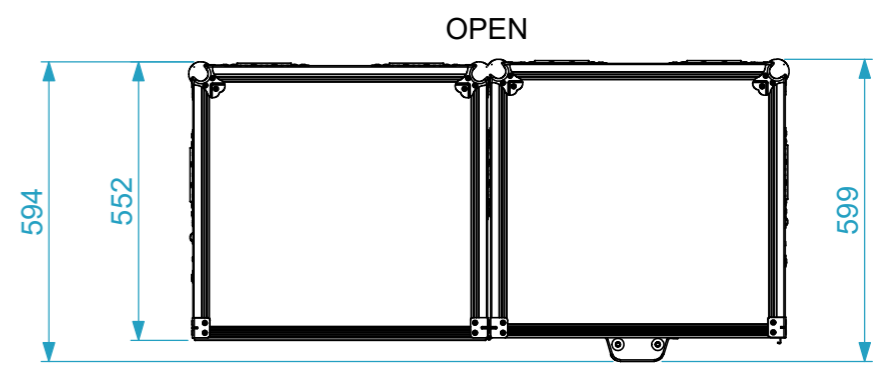
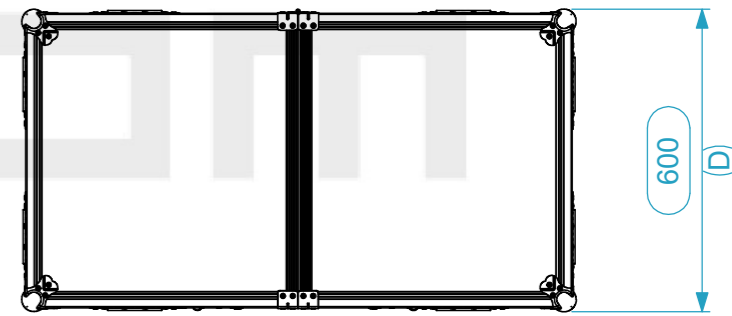
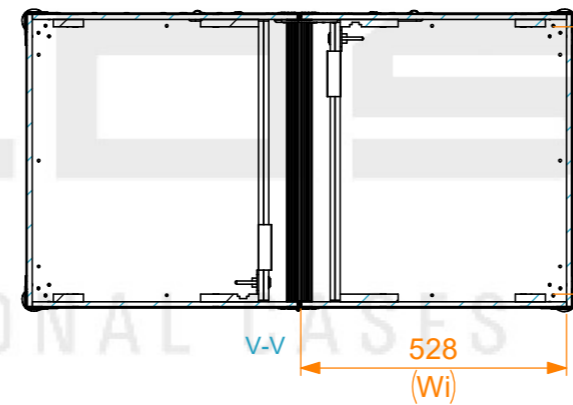
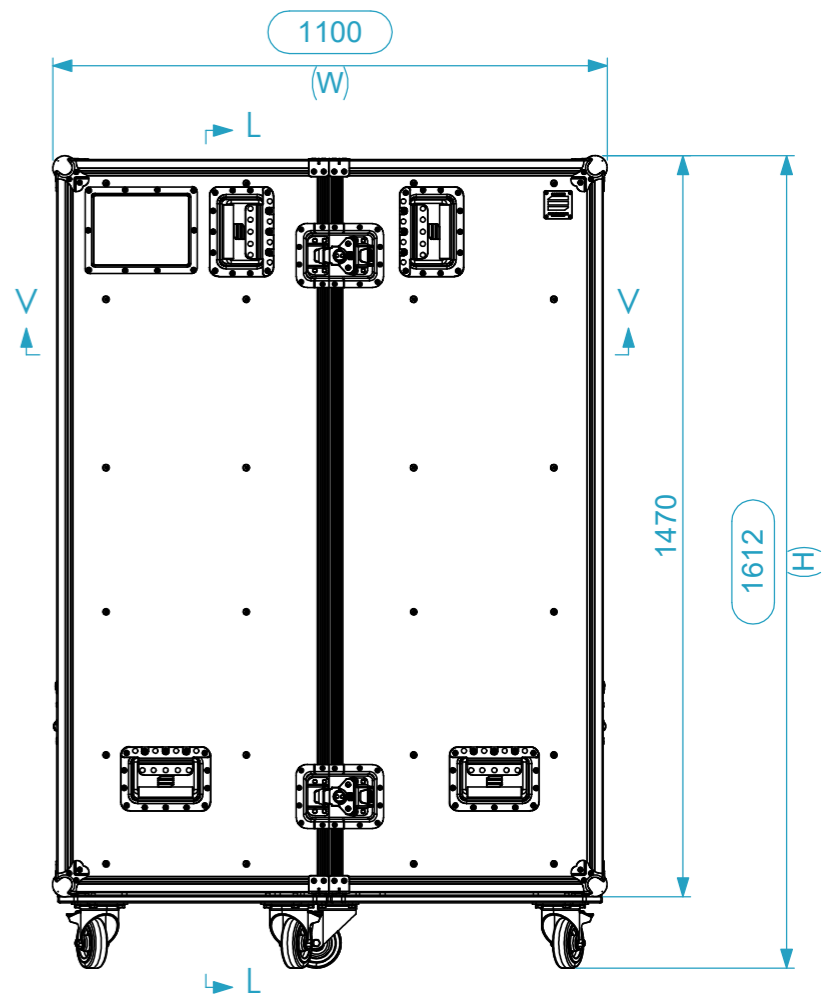
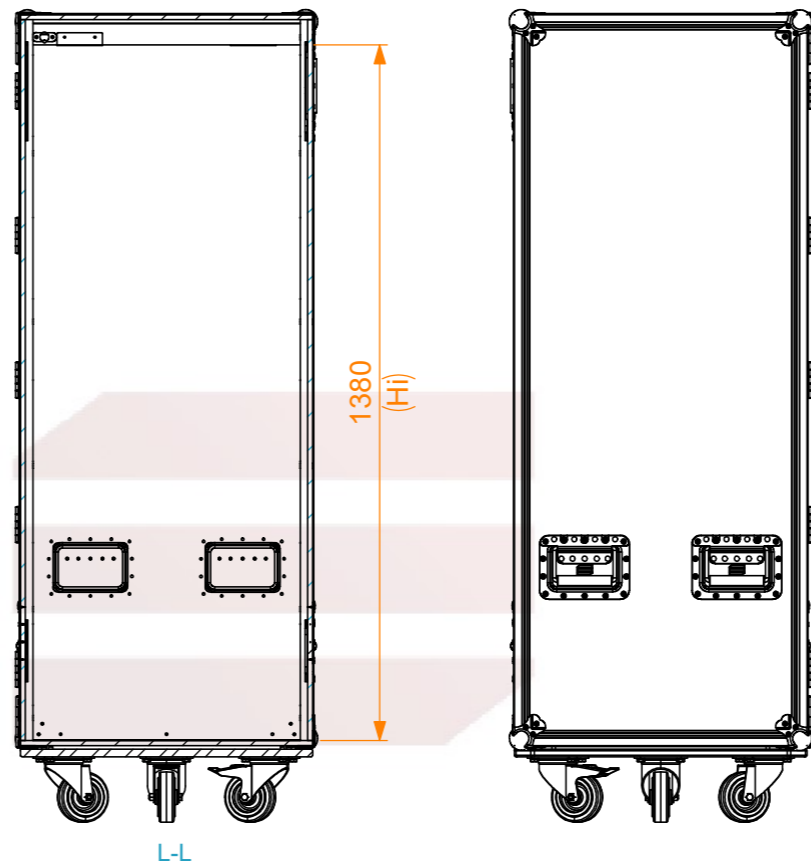
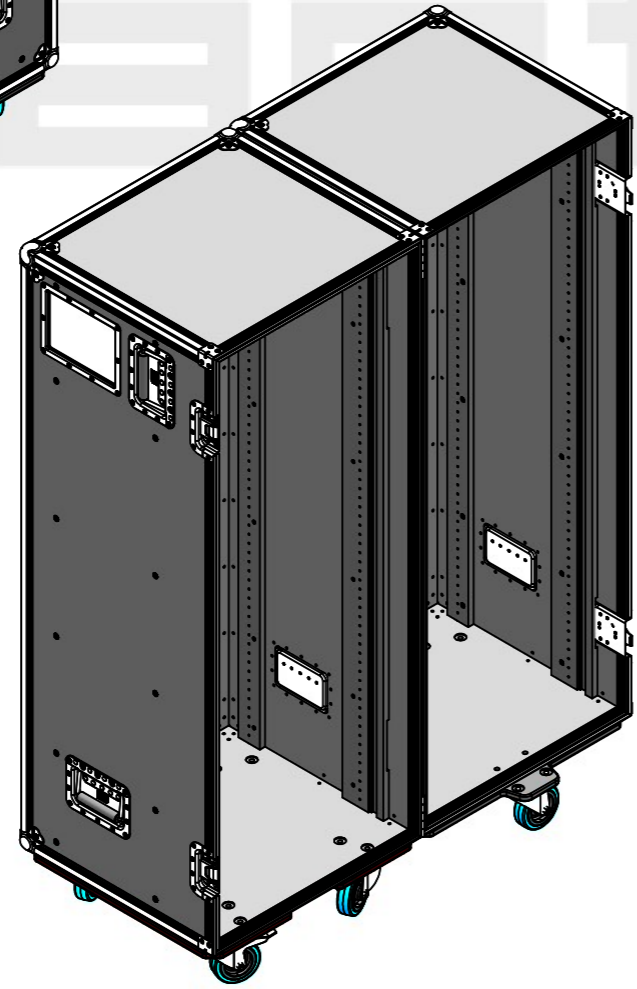
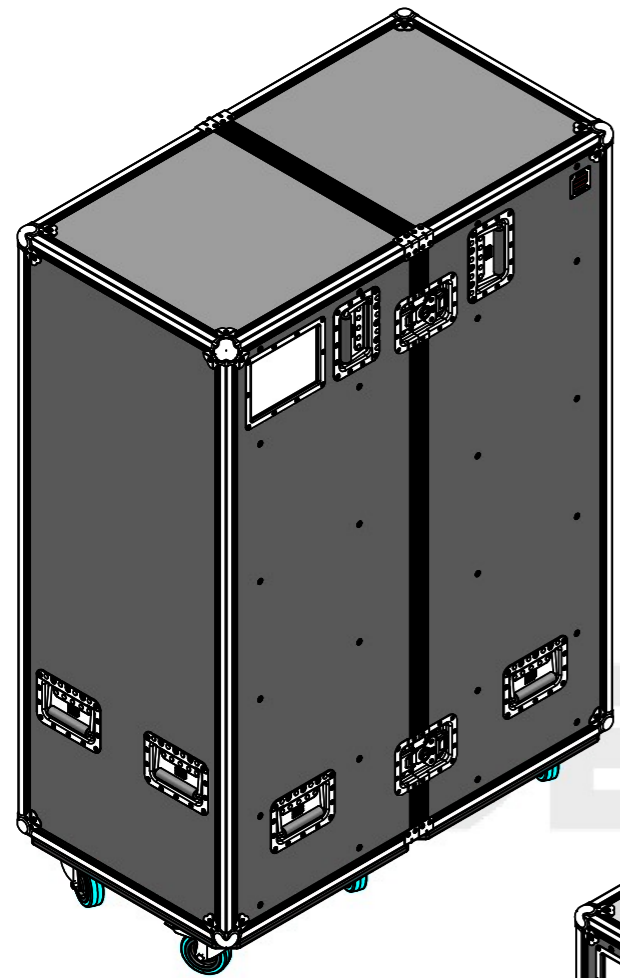


Internal Dimensions		
Width	Depth	Height
528	530	1380
Weight	Approx. 79 Kg	
Wall Thickness	10mm	

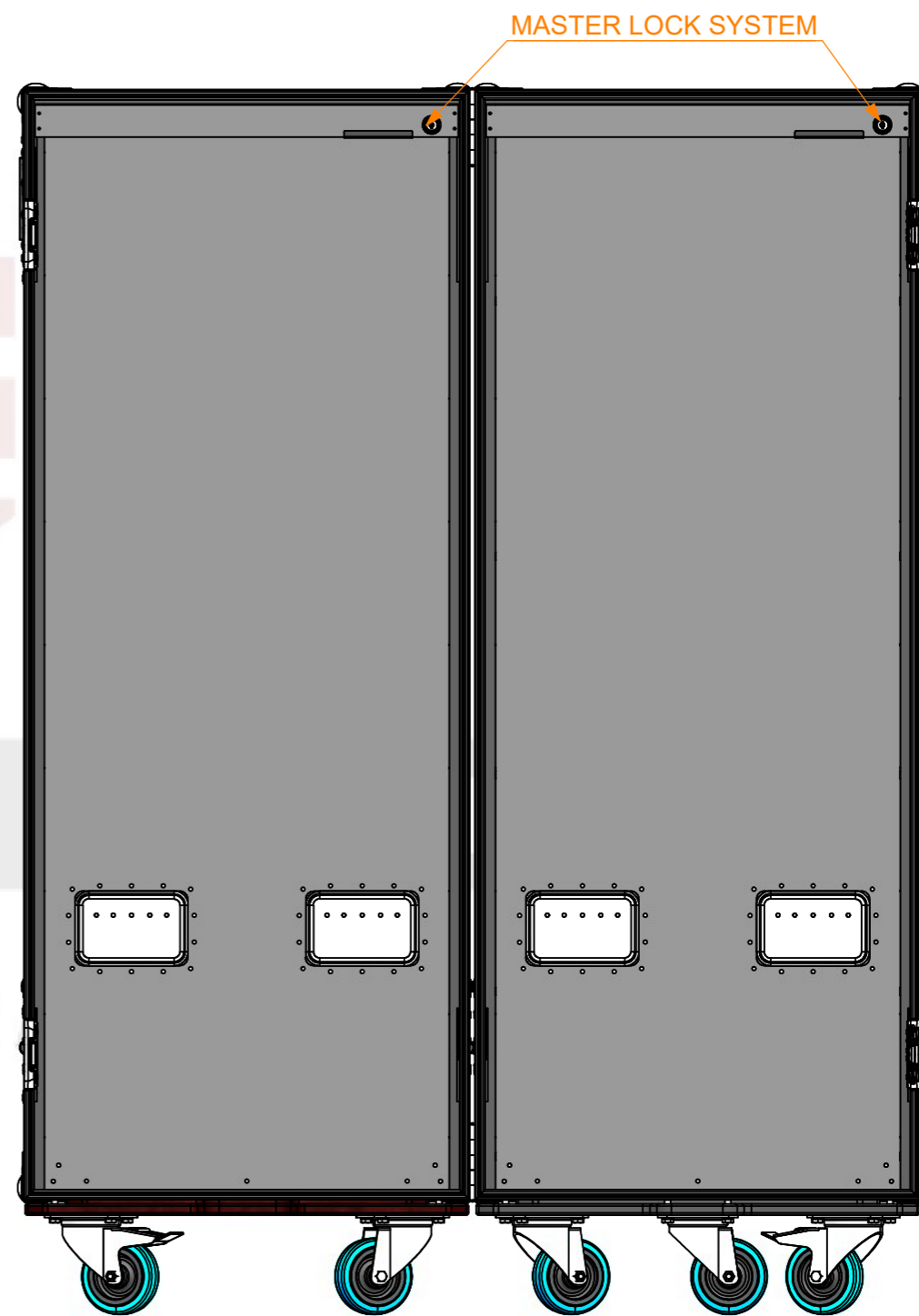
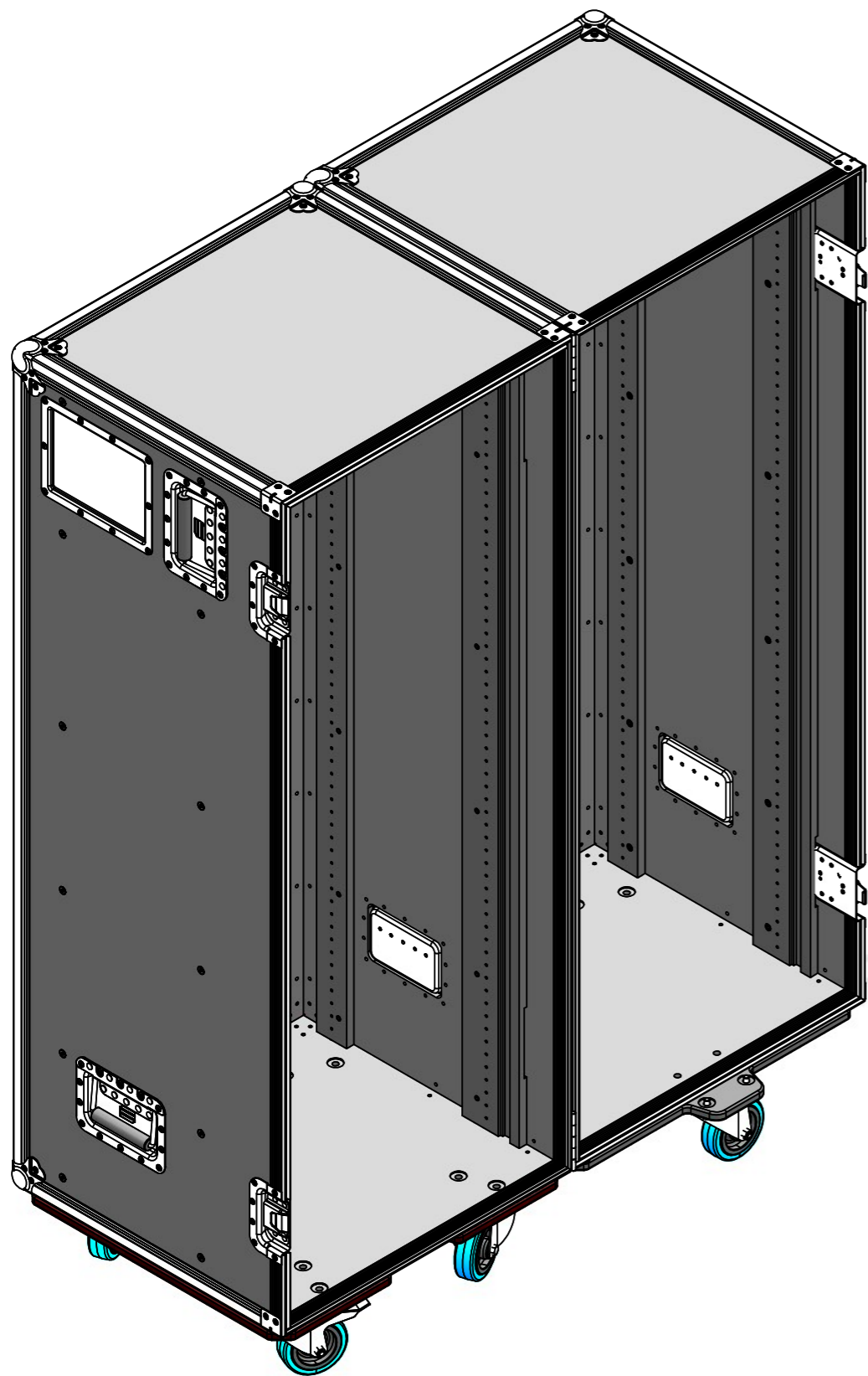


General External Dimensions	
W	Width
D	Depth
H	Height
Usable Inner Dimensions	
Wi	Inside Width
Di	Inside Depth
Hi	Inside Height

A3 This drawing must not be copied or disclosed without consent of the owner

Drawn by	Name	Date
jose.couto	jose.couto	27/04/2026
Reference	RDC2D.11060147	
Scale	units in mm	general tolerance
1:15	DO NOT SCALE	0.8mm
Roadcase dupla Serie 147, 14U		





	Name	Date
Drawn by	jose.couto	27/04/2026
Reference	RDC2D.11060147	
Scale	units in mm	general tolerance
1:9	DO NOT SCALE	0.8mm
Roadcase dupla Serie 147, 14U		



This drawing must not be copied or disclosed without consent of the owner



A3