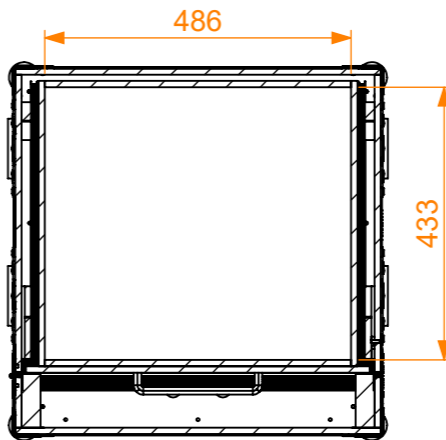
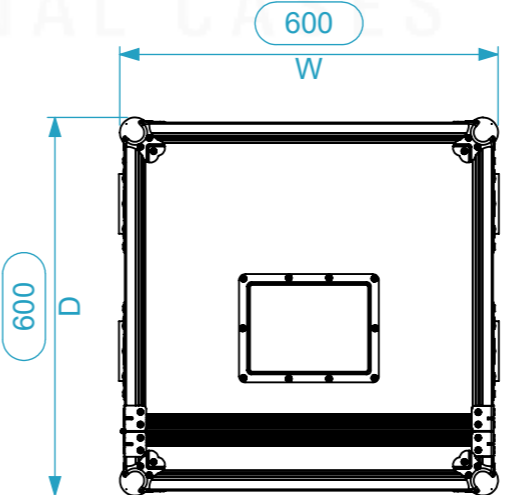
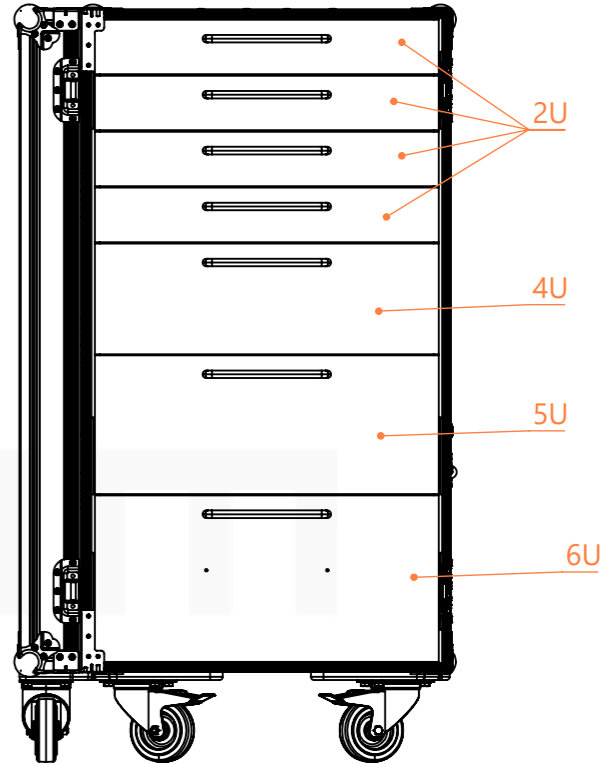
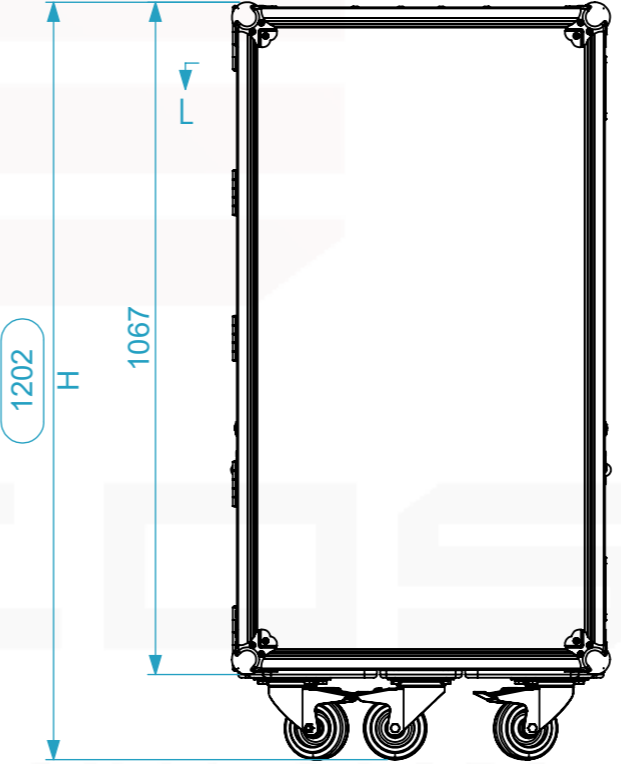
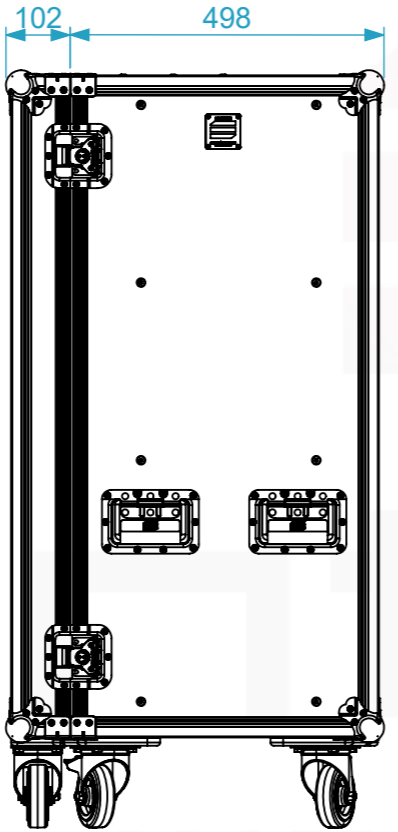


Dimensions

Width	Depth	Height
600	600	1202
Weight	Approx. 66.38 Kg	
Wall Thickness		10mm



L-L



General External Dimensions	
W	Width
D	Depth
H	Height
Usable Inner Dimensions	
Wi	Inside Width
Di	Inside Depth
Hi	Inside Height

Name	Date
tiago.pais	12/05/2026
Reference	RDC2.12007
Scale	1:12
units in mm	general tolerance 0.8mm
DO NOT SCALE	
Roadcase Serie 120	
23U 7 Gavetas: 2, 2, 2, 2, 4, 5, 6U	



This drawing must not be copied or disclosed without consent of the owner



A3