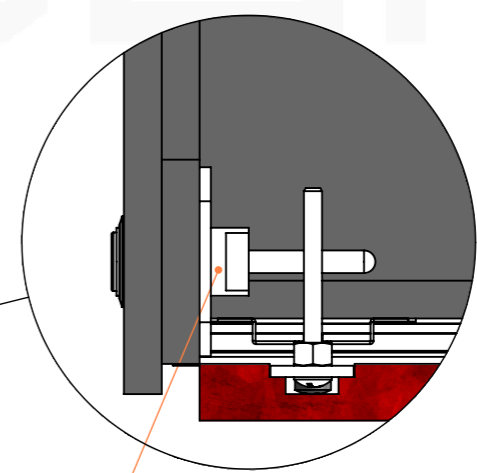
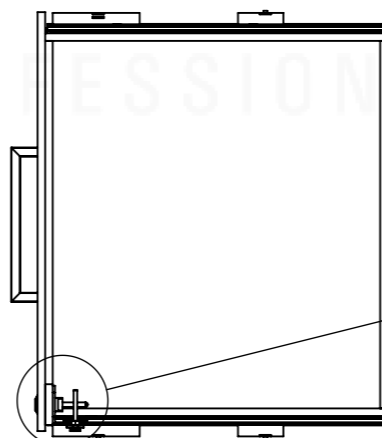
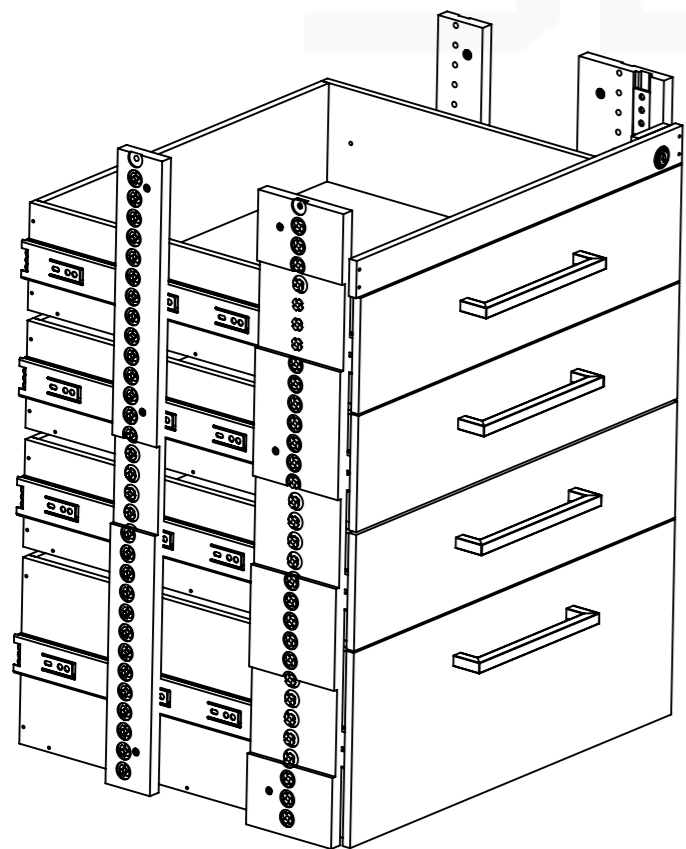
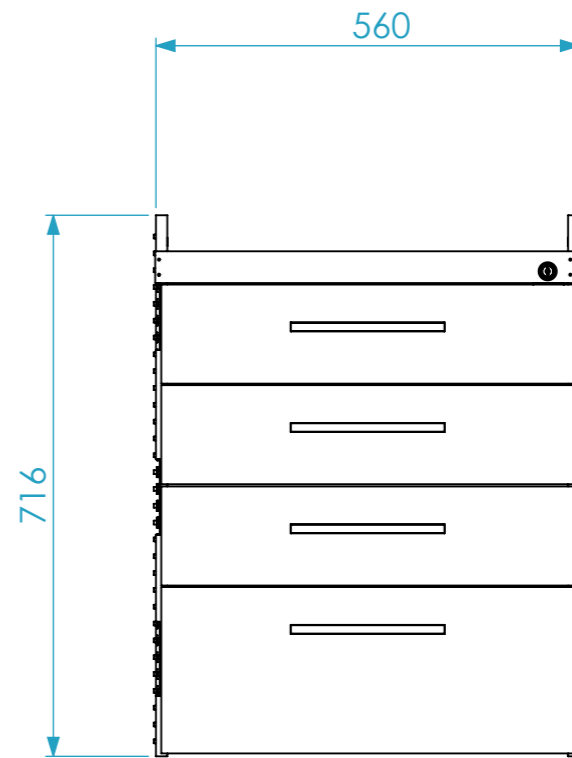
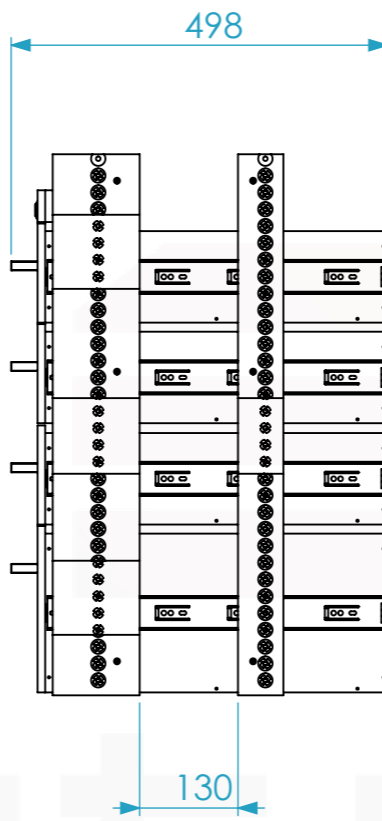


Dimensions

Width	Depth	Height
560	498	716
Weight	Approx. 21.23 Kg	



lock system

General External Dimensions	
W	Width
D	Depth
H	Height

Name	CarlaSilva	Date	20/07/2018
Reference	RDC.R16A.3335		
Scale	1:10	units in mm	DO NOT SCALE
general tolerance	0.8mm		
INTERIOR COM FECHO PARA ROADCASE 16U			



This drawing must not be copied or disclosed without consent of the owner



A3