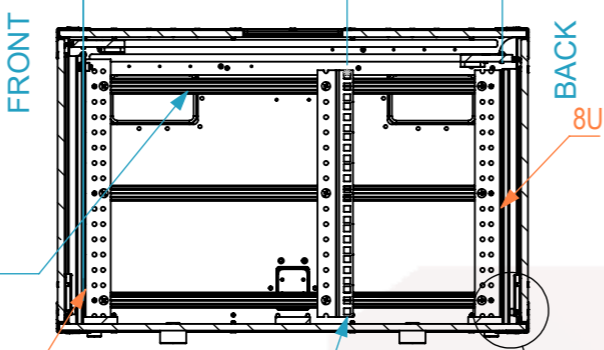
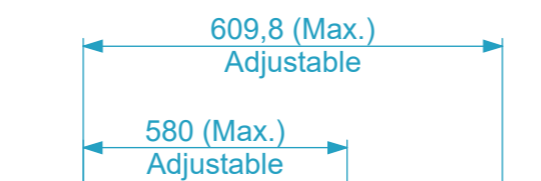
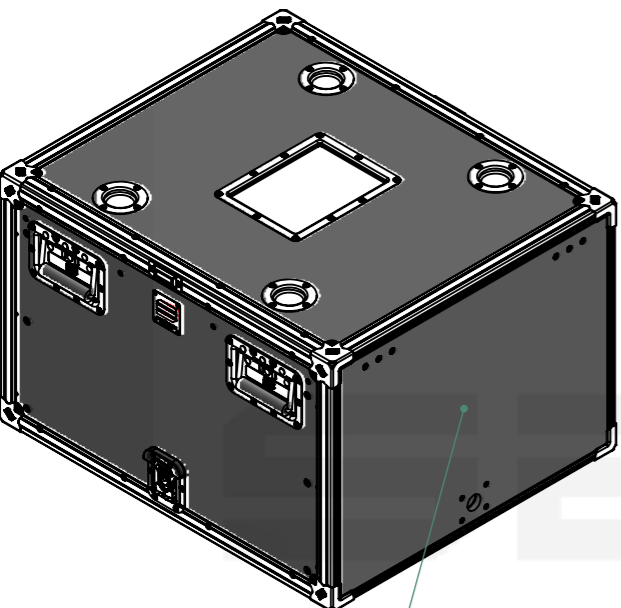
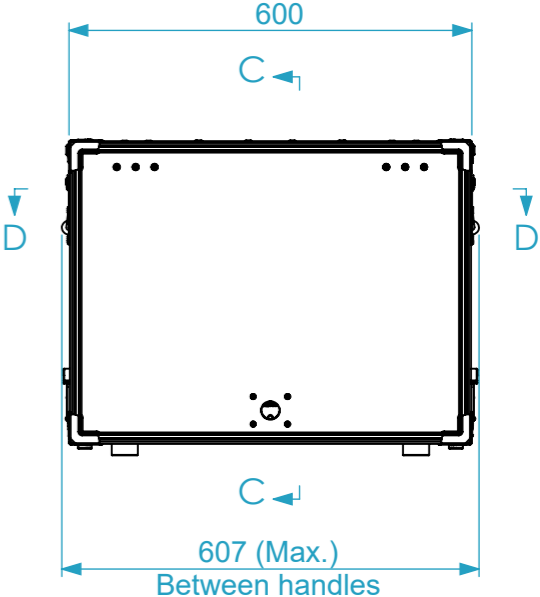
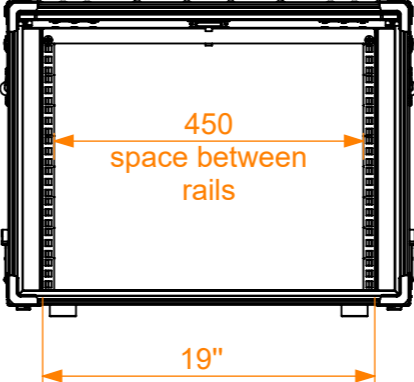


### Internal Dimensions

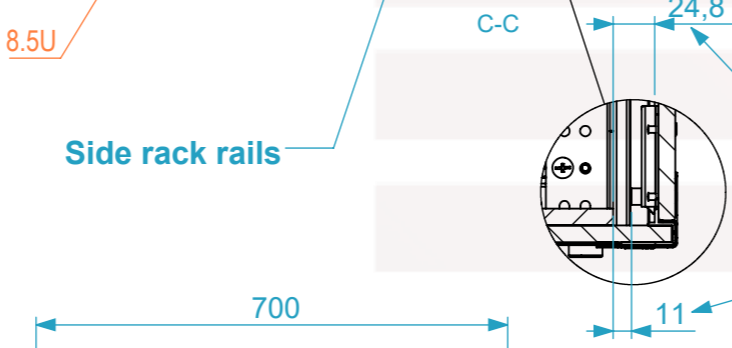
<b>Width</b>	<b>Depth</b>	<b>Height</b>
600	700	8 U
<b>Weight</b>	Approx. 22 Kg	
<b>Wall Thickness</b>		10mm



Side rail profiles provide support for additional rack rails



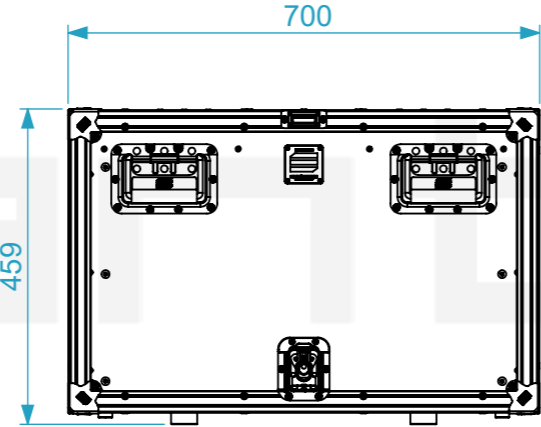
Optional printing plate



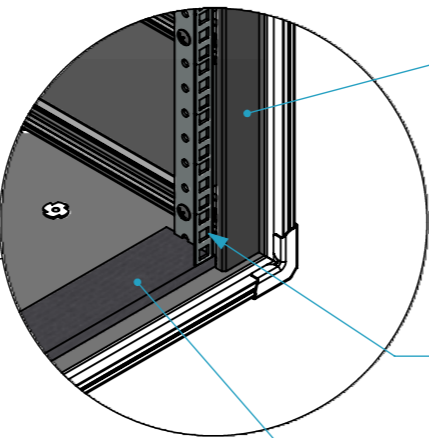
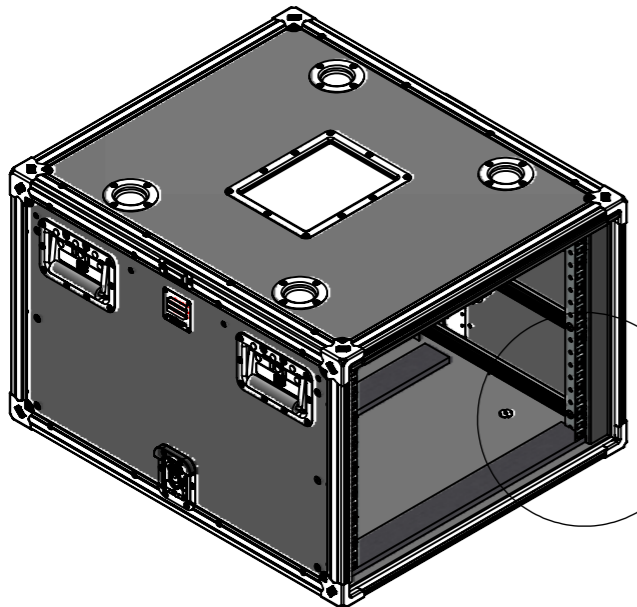
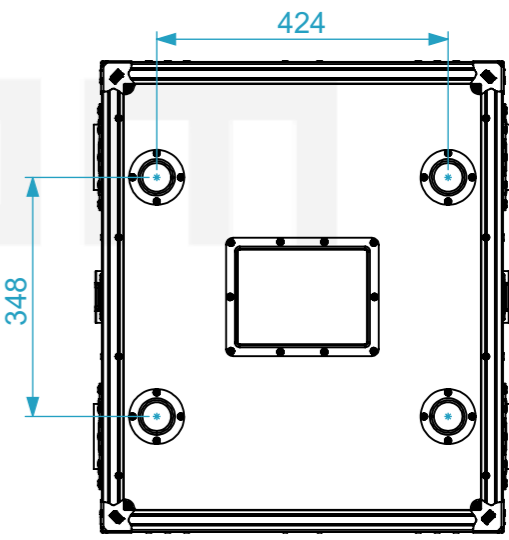
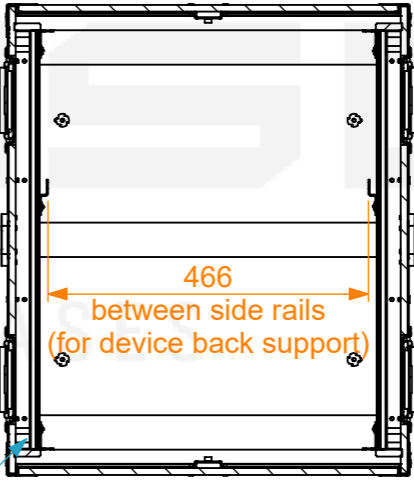
Side rack rails

Min. distance between rack rails and door

Min. distance between rack rails and door latch



Anti-vibration mounts between the side rail profiles and the rack walls



Cover panels

2 mm thick steel rack rails for standard M6 cage nuts

HD Foam

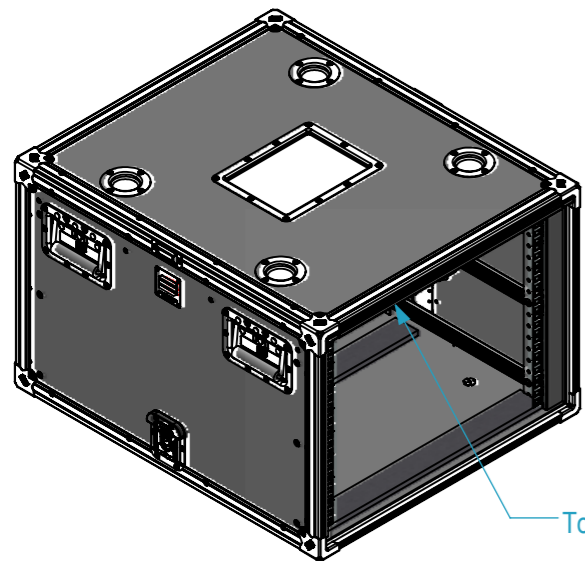
Name	Date
Drawn by paula.almeida	31/10/2025
Reference	RCS.0870
Scale	1:1
units in mm	general tolerance 0.8mm
DO NOT SCALE	
19" Compact Sliding, 8U 610-ARR	



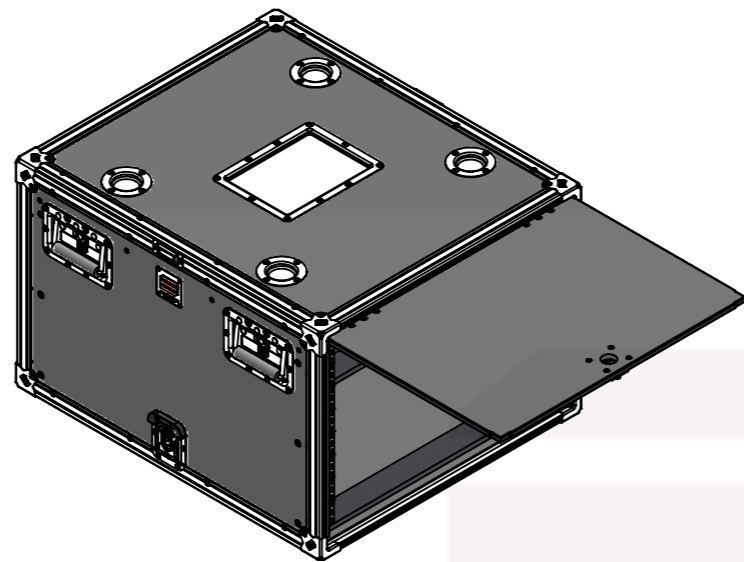
This drawing must not be copied or disclosed without consent of the owner

A3

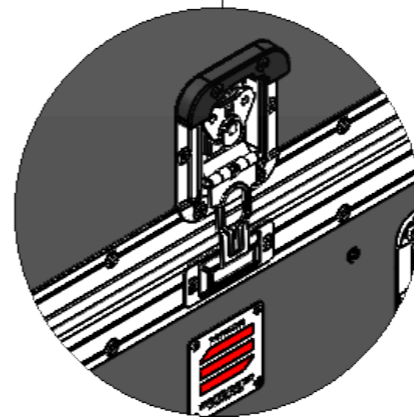
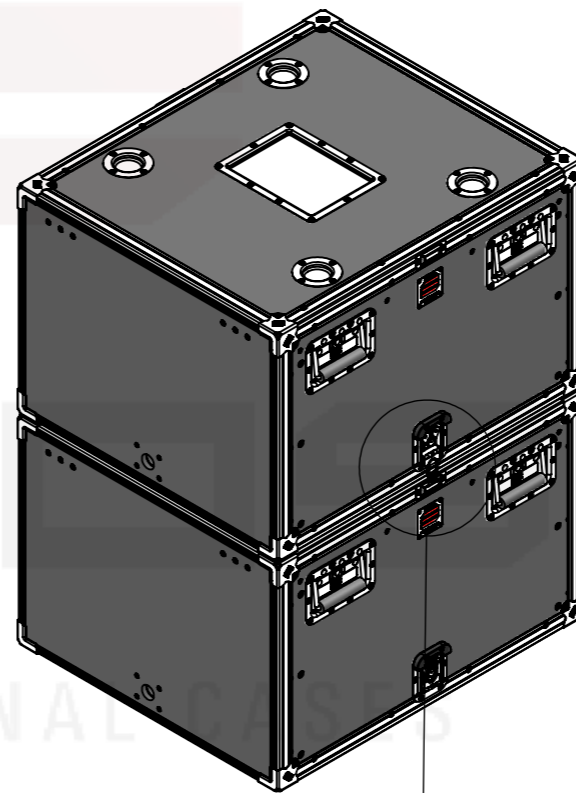
1st Angle projection



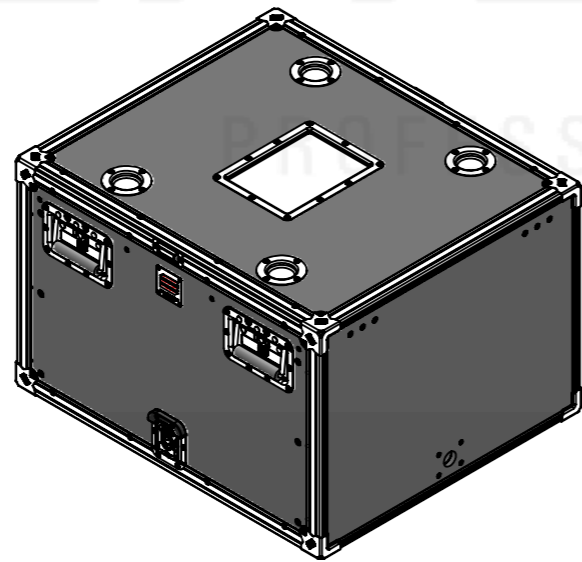
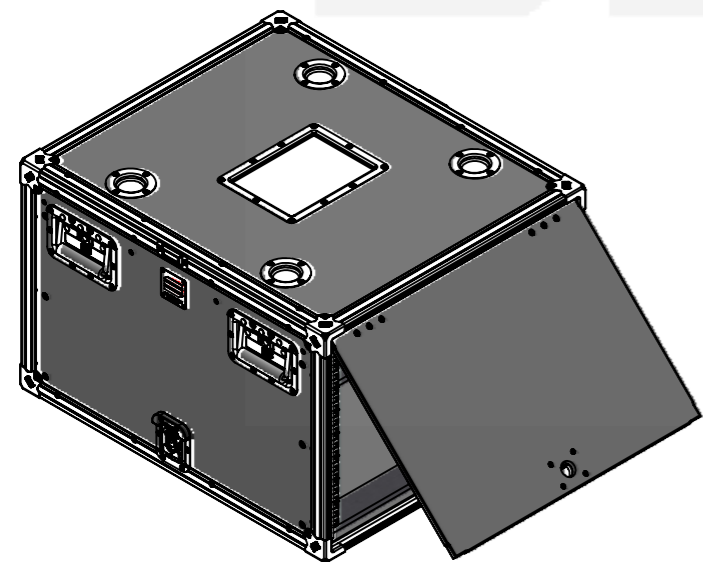
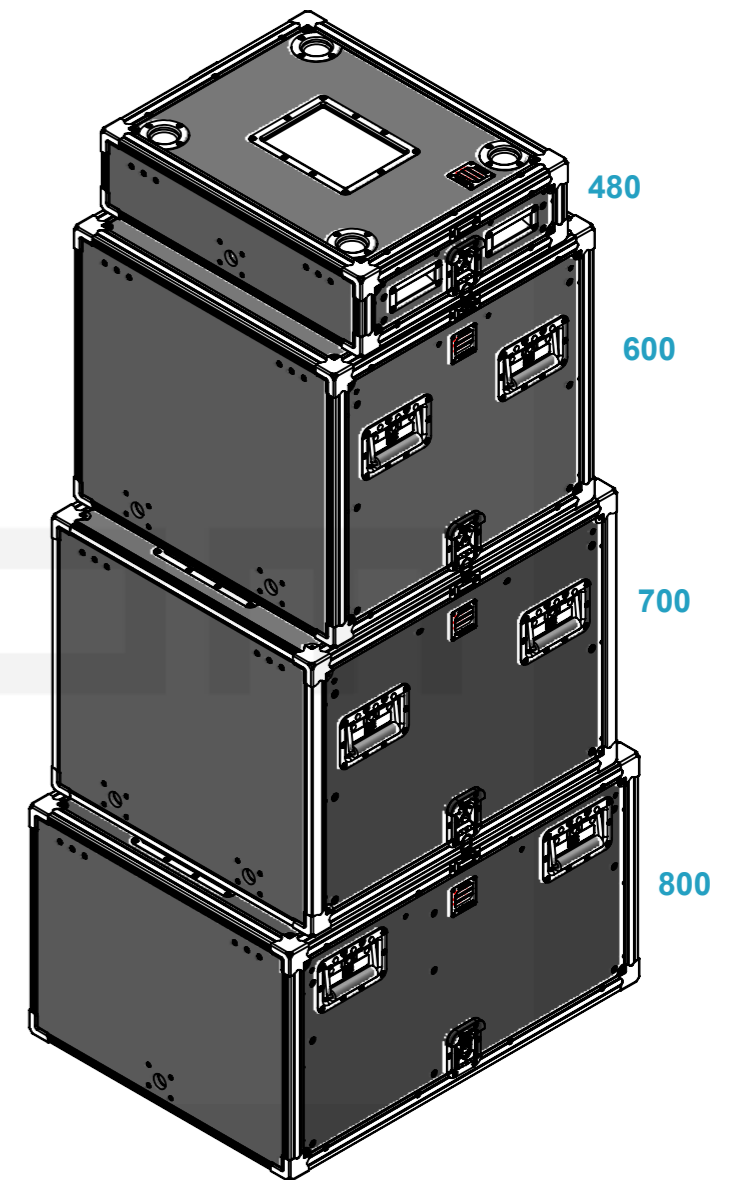
Top sliding door



STACKING WITH A RCS RACK



STACKING RCS RACKS WITH DIFFERENT DEPTHS



Drawn by	Name	Date
paula.almeida		31/10/2025
Reference	RCS.0870	
Scale	units in mm	general tolerance
1:12	DO NOT SCALE	0.8mm
19" Compact Sliding, 8U 610-ARR		



This drawing must not be copied or disclosed without consent of the owner

A3



1st Angle projection