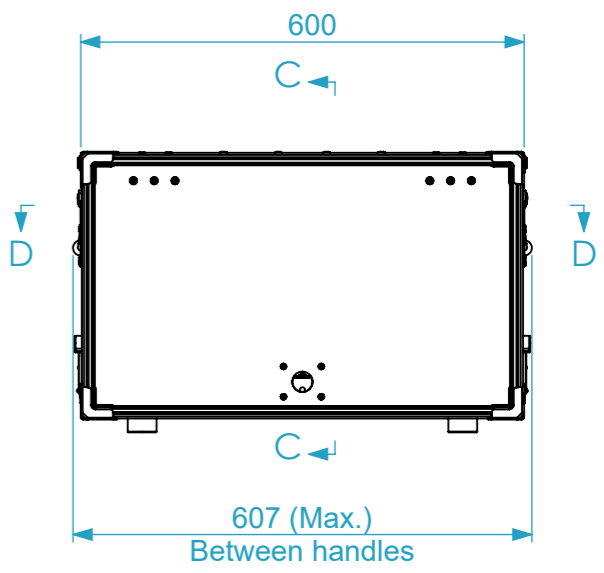
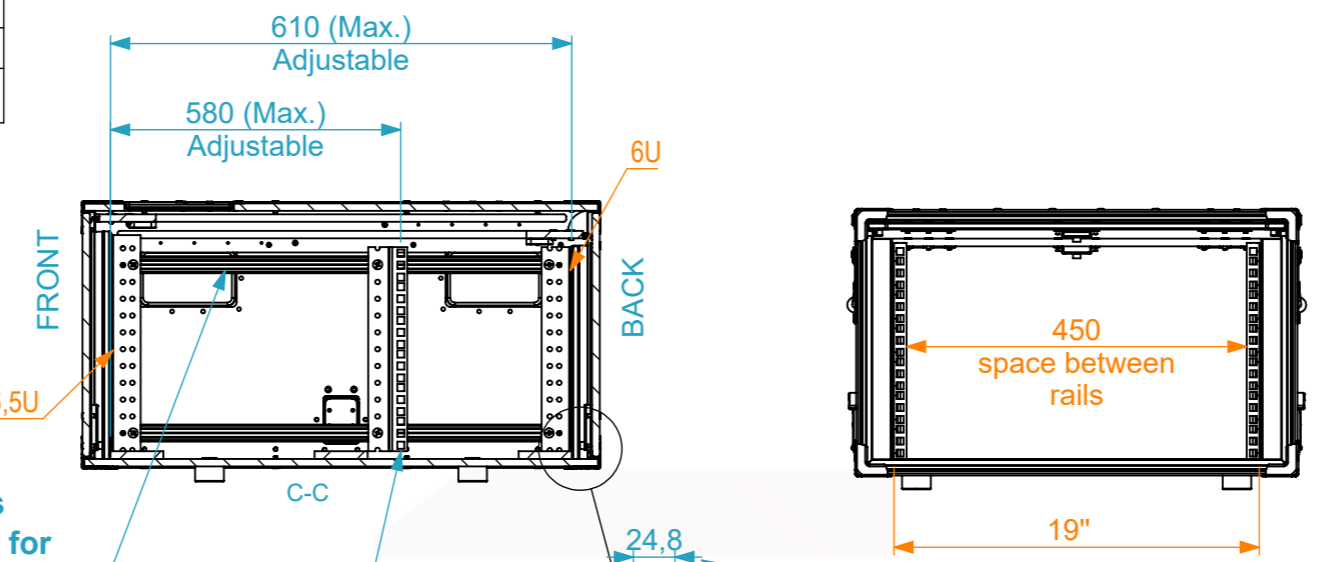


Internal Dimensions

Width	Depth	Height
600	700	6 U
Weight	Approx. 19 Kg	
Wall Thickness		10mm

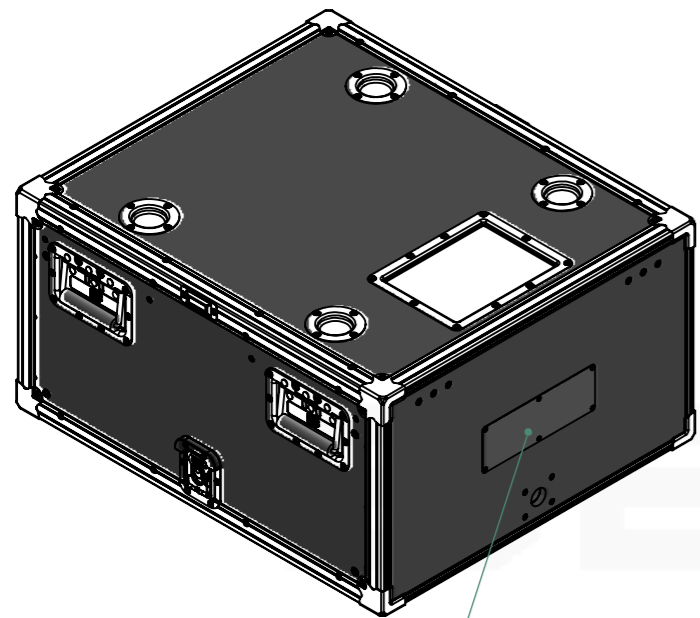


Side rail profiles provide support for additional rack rails

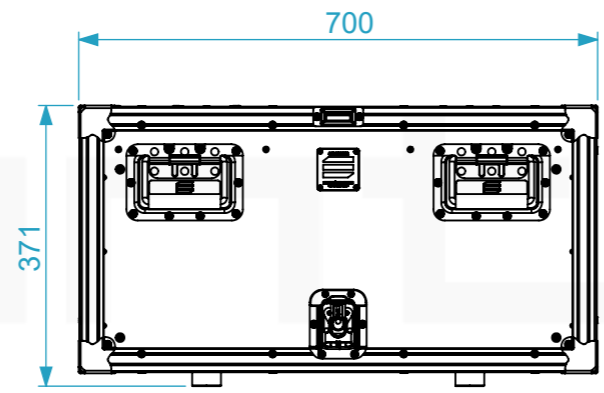
Side rack rails

Min. distance between rack rails and door

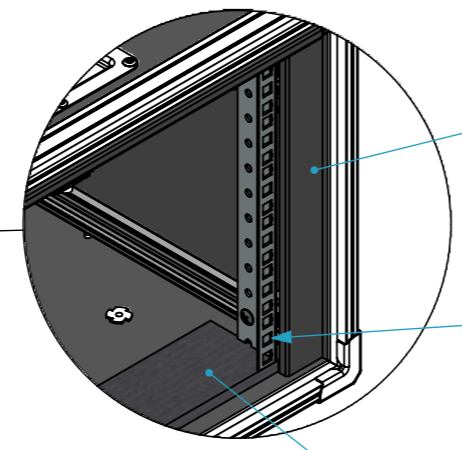
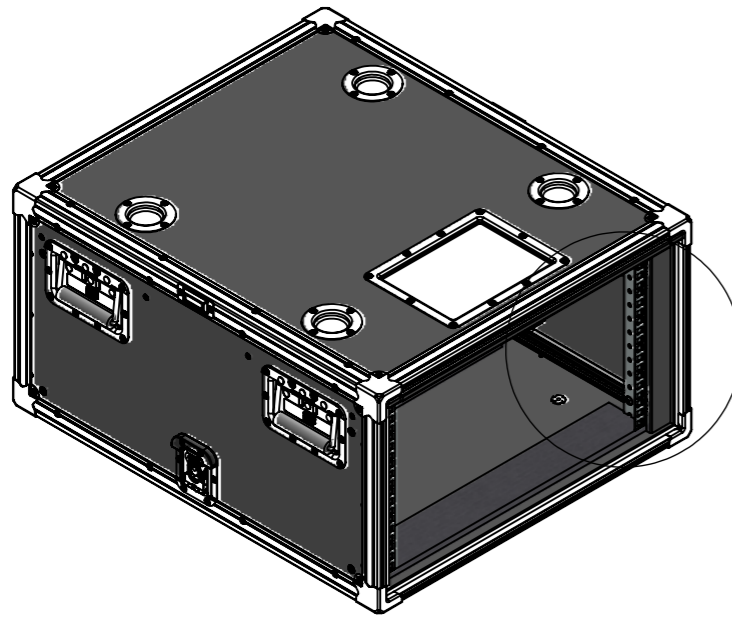
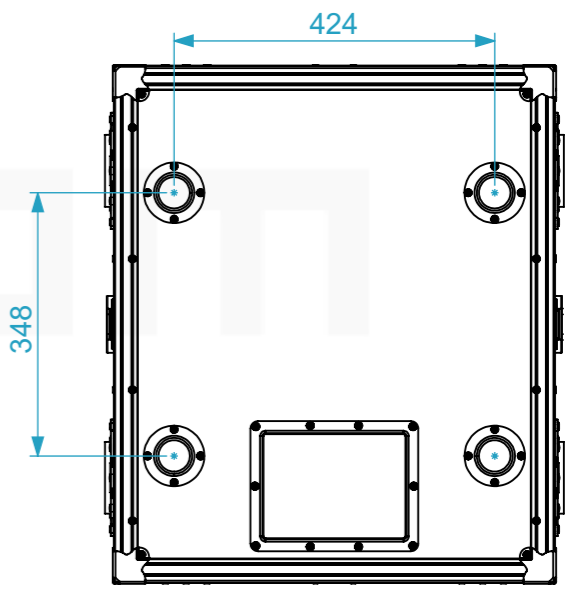
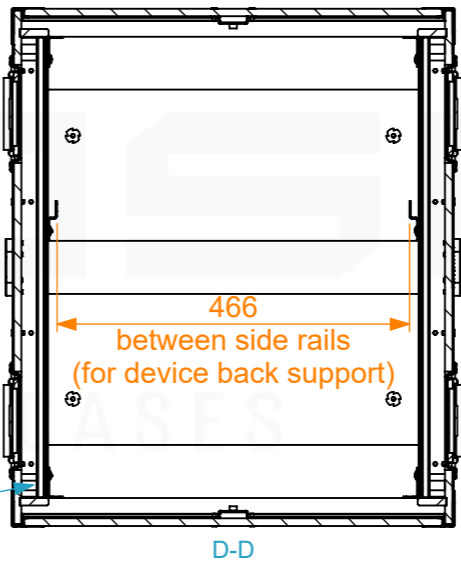
Min. distance between rack rails and door latch



Optional printing plate



Anti-vibration mounts between the side rail profiles and the rack walls



Cover panels

2 mm thick steel rack rails for standard M6 cage nuts

HD Foam

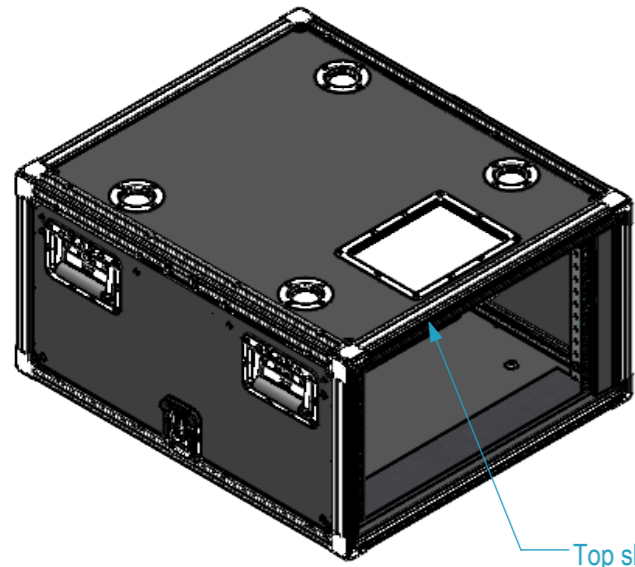
Name	Date
Drawn by paula.almeida	07/08/2023
Reference	RCS.0670
Scale	1:10
units in mm	general tolerance 0.8mm
DO NOT SCALE	
19" Compact Sliding, 6U 610-ARR	



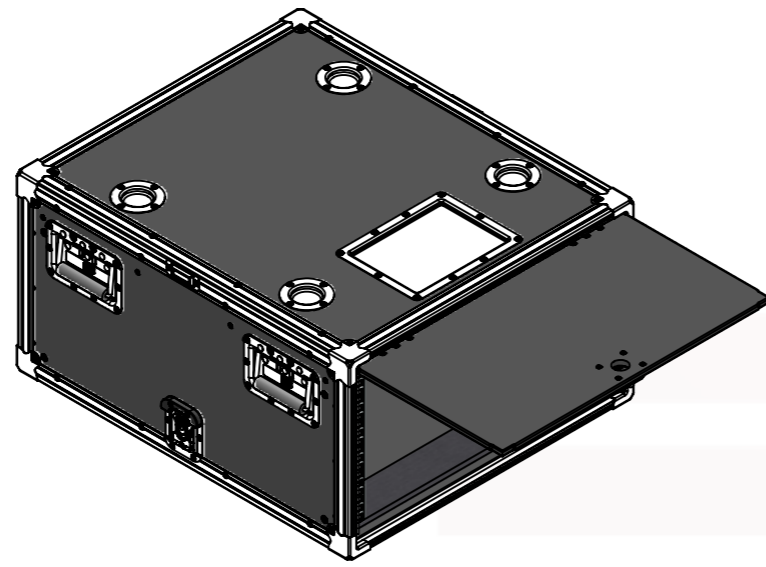
This drawing must not be copied or disclosed without consent of the owner

A3

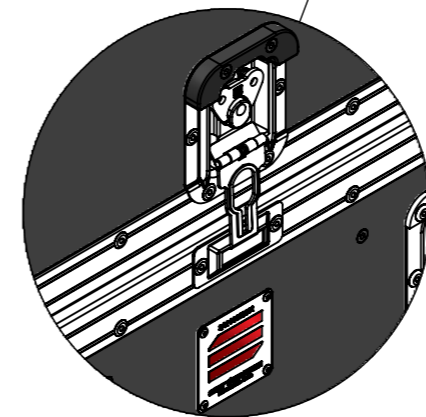
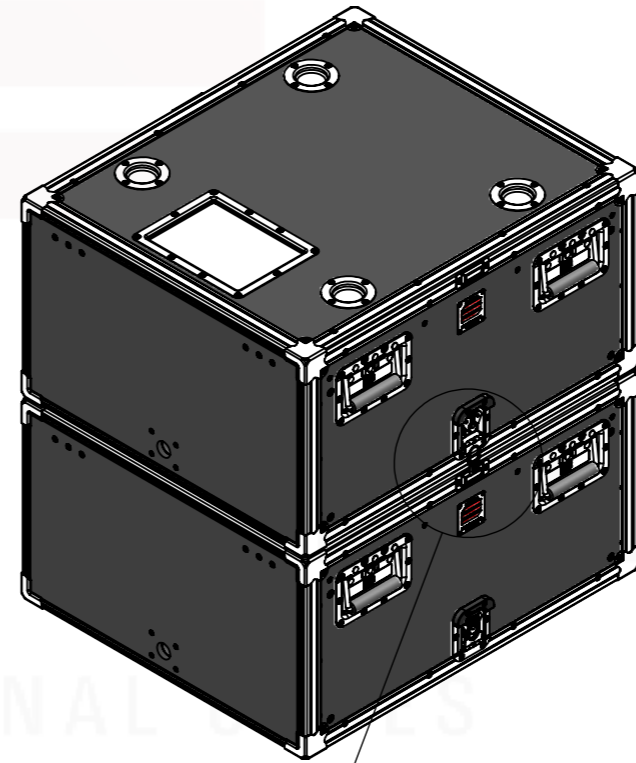




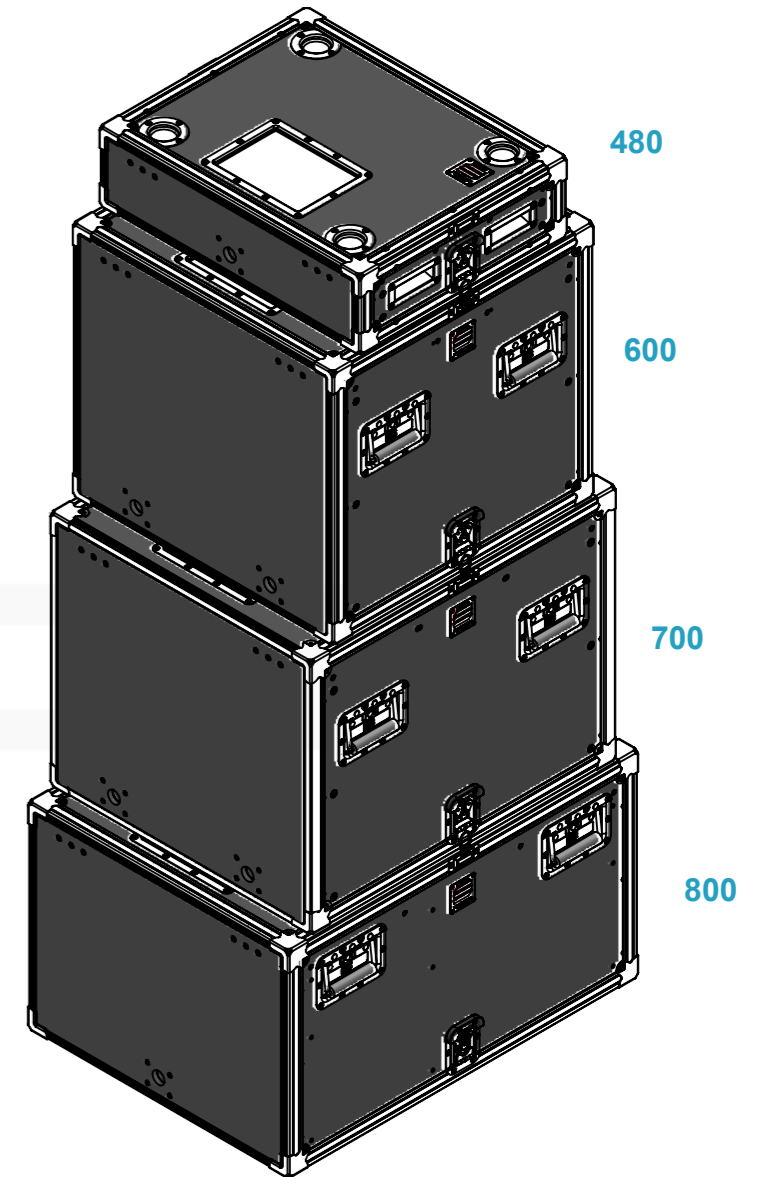
Top sliding door



STACKING WITH A RCS RACK



STACKING RCS RACKS WITH DIFFERENT DEPTHS



480

600

700

800

Drawn by	Name	Date
paula.almeida	RCS.0670	07/08/2023
Reference	RCS.0670	
Scale	units in mm	general tolerance
1:1	DO NOT SCALE	0.8mm
19" Compact Sliding, 6U 610-ARR		



This drawing must not be copied or disclosed without consent of the owner

A3



1st Angle projection