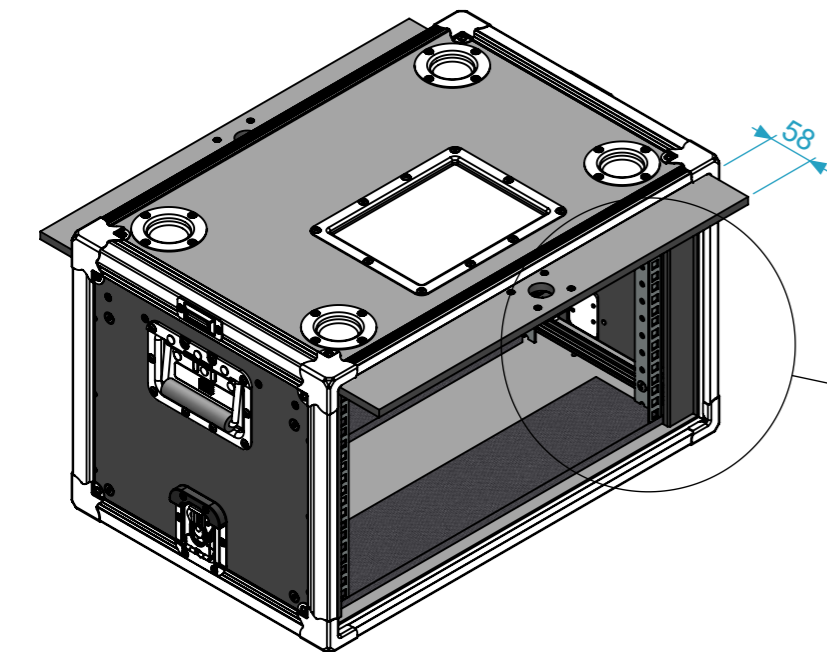
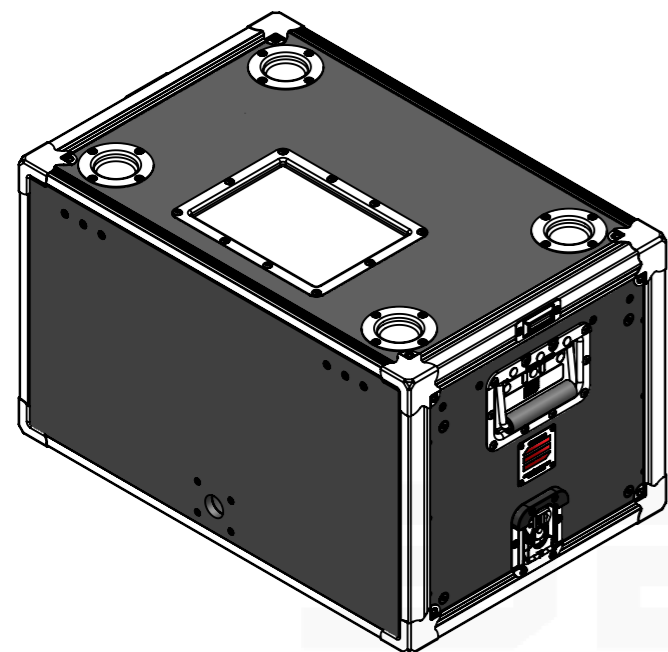
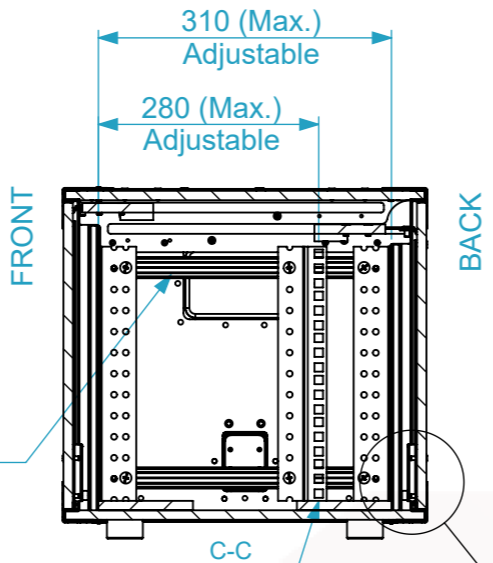


### Internal Dimensions

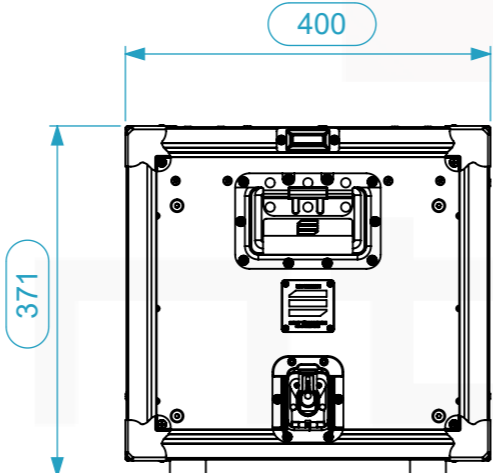
<b>Width</b>	<b>Depth</b>	<b>Height</b>
600	400	6 U
<b>Weight</b>	Approx. 13 Kg	
<b>Wall Thickness</b>	10mm	



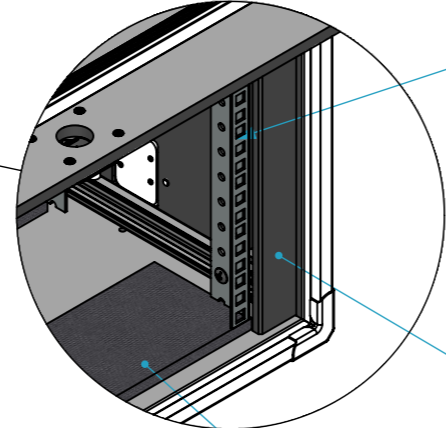
Side rail profiles provide support for additional rack rails



Side rack rails



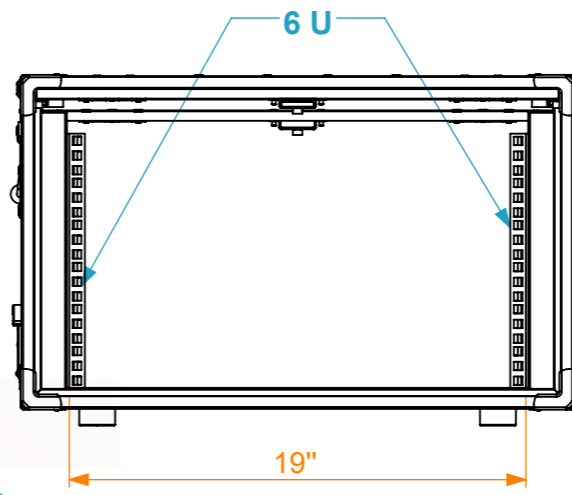
Anti-vibration mounts between the side rail profiles and the rack walls



2 mm thick steel rack rails for standard M6 cage nuts

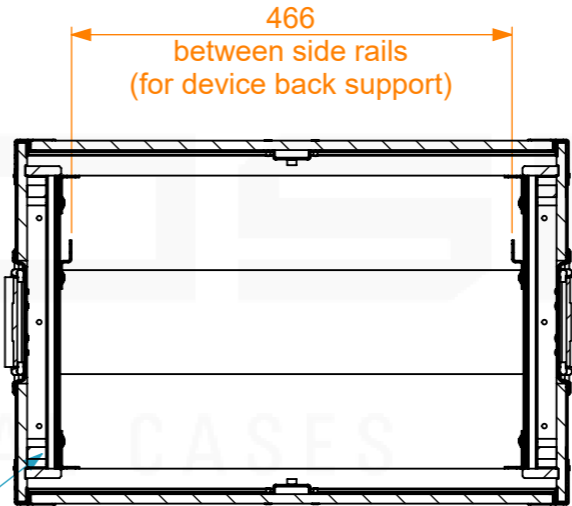
Cover panels

HD Foam

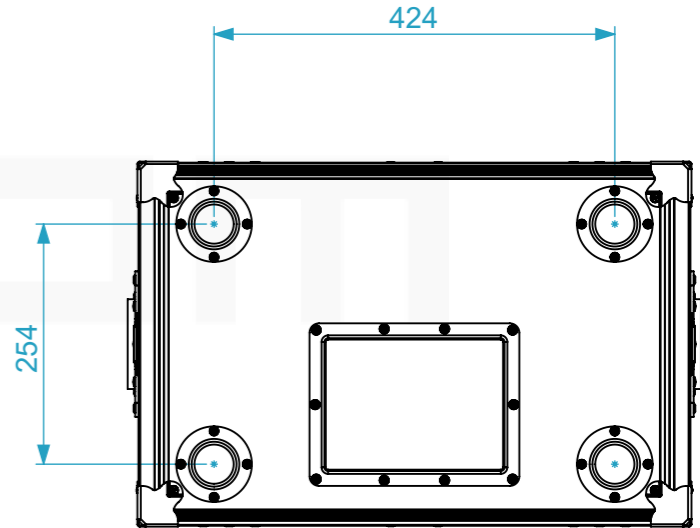
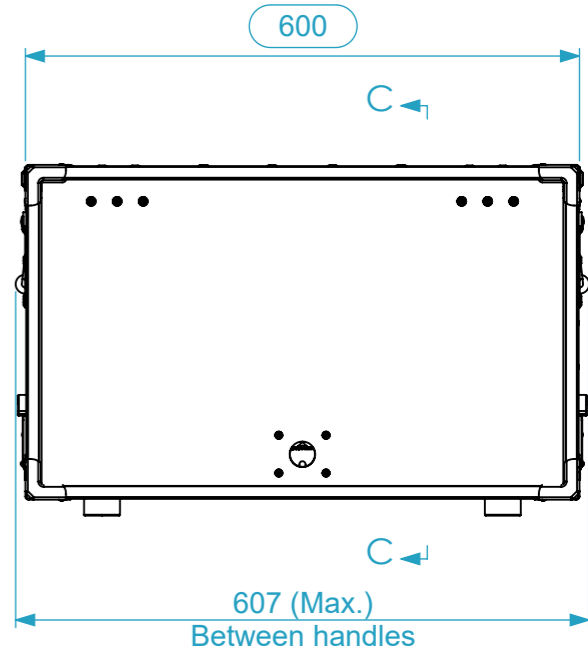


Min. distance between rack rails and door

Min. distance between rack rails and door latch



D-D



254

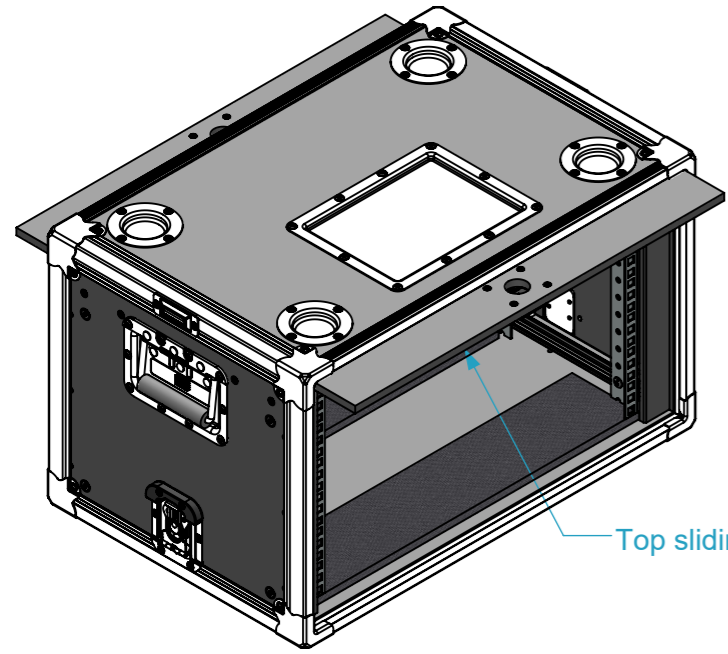
1st Angle projection

Name	Date
alexandre	09/05/2022
Reference	RCS.0640
Scale	1:8
units in mm	general tolerance 0.8mm
DO NOT SCALE	
19" Compact Sliding, 6U 310-ARR	

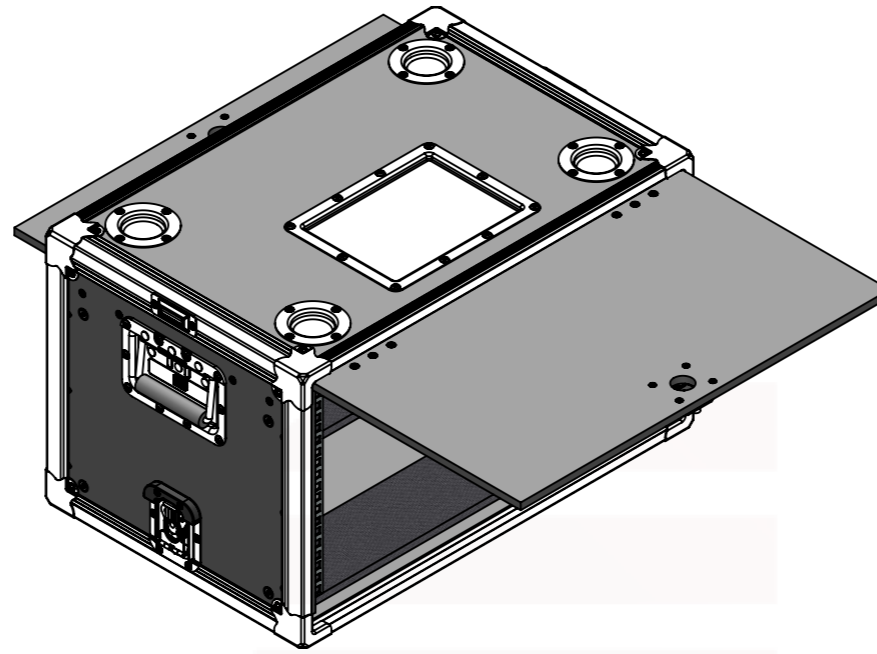


This drawing must not be copied or disclosed without consent of the owner

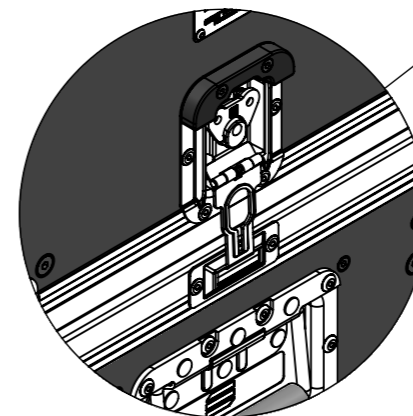
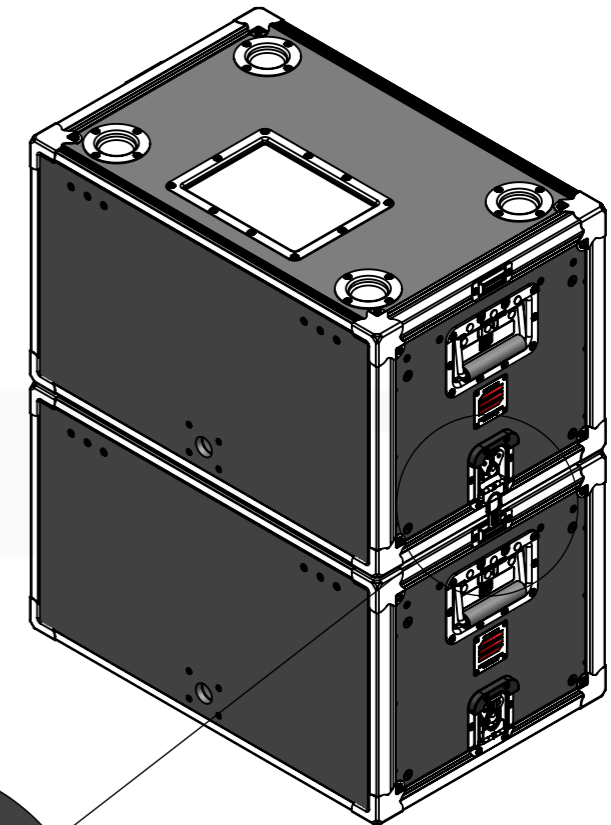
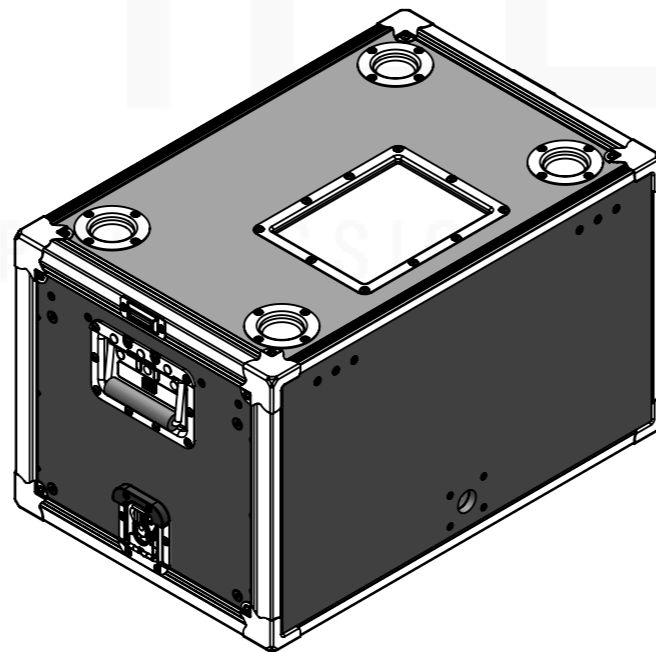
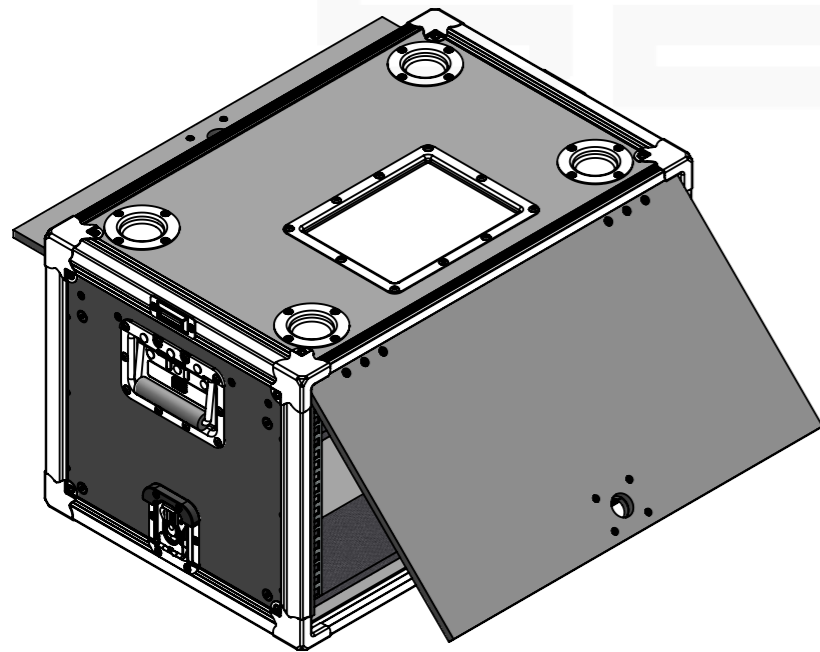
A3



Top sliding door



STACKING WITH A RCS RACK  
400 mm Depth



Drawn by	Name	Date
alexandre	alexandre	09/05/2022
Reference	RCS.0640	
Scale	units in mm	general tolerance
1:8	DO NOT SCALE	0.8mm
19" Compact Sliding, 6U 310-ARR		



This drawing must not be copied or disclosed without consent of the owner

A3



1st Angle projection