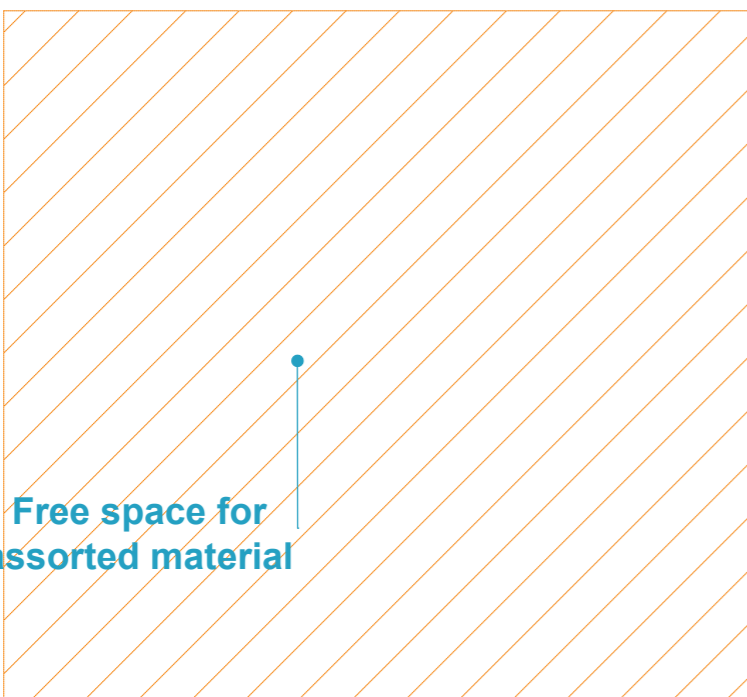
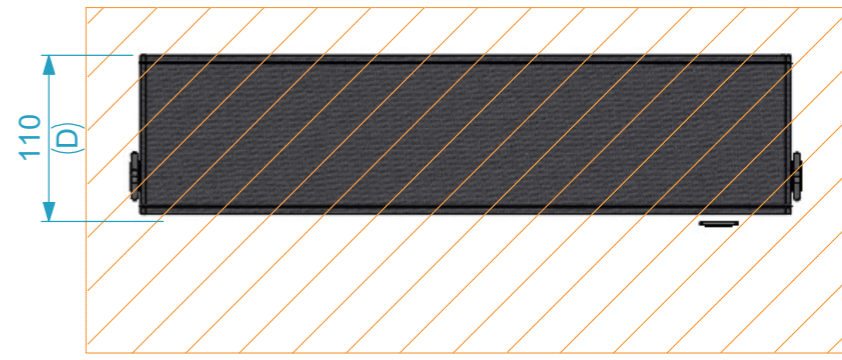


Dimensions

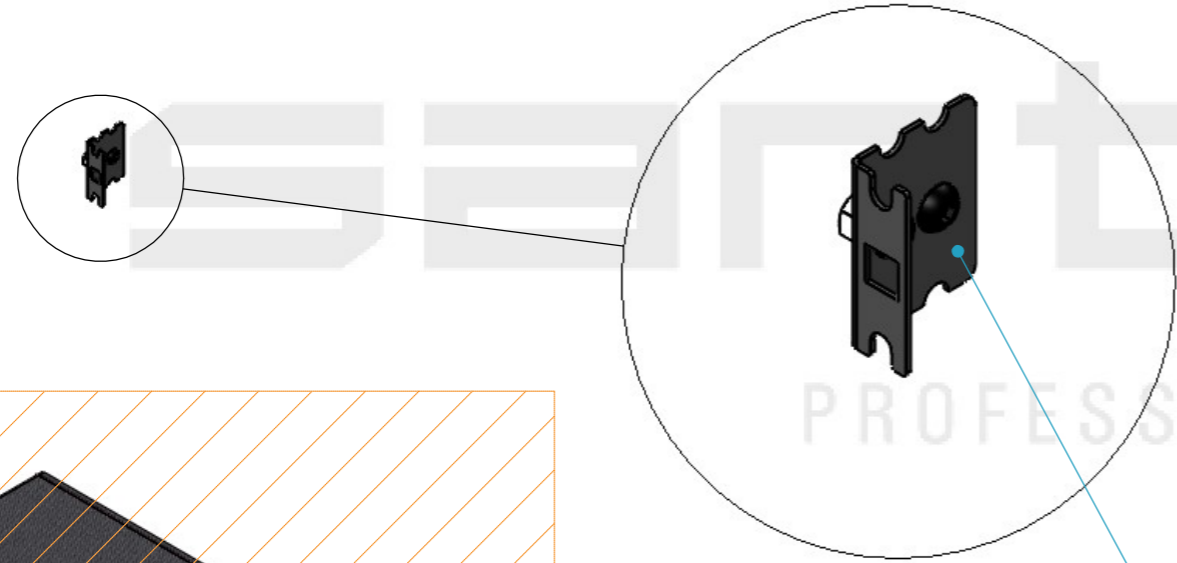
| | | |
|---------------|----------------|---------------|
| Width | Depth | Height |
| 430 | 110 | 132 |
| Weight | Approx. 0.3 Kg | |



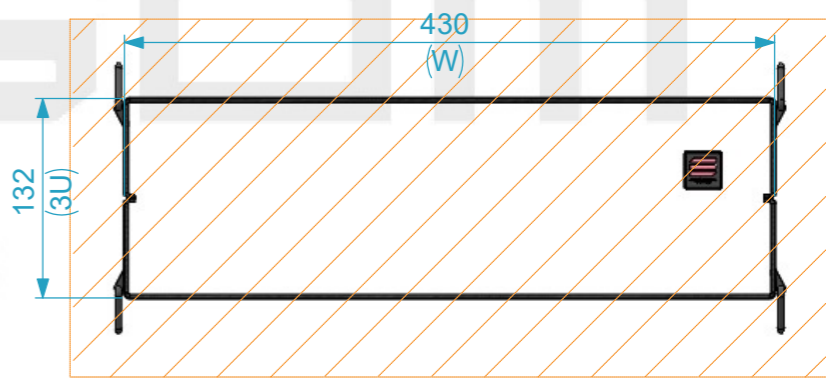
Free space for assorted material



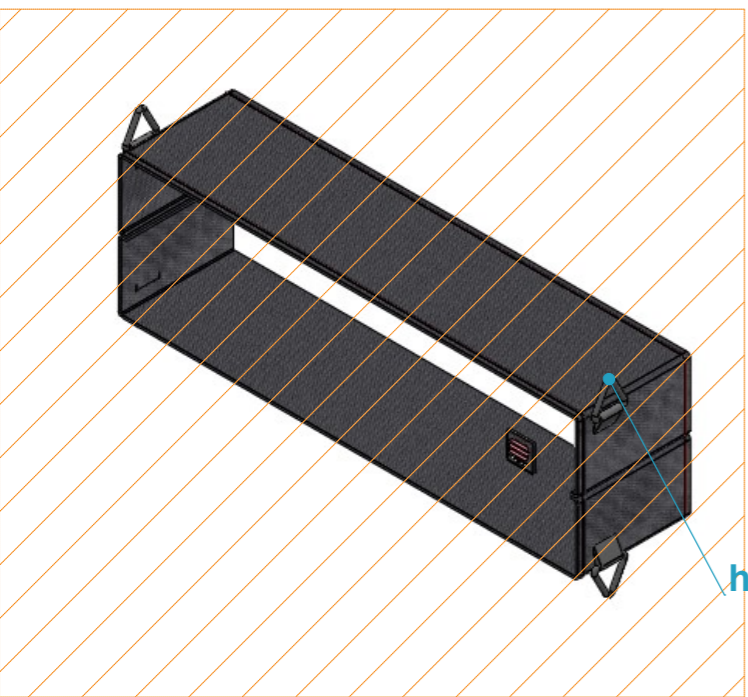
110 (D)



AMET.161
Accessory to hang bags at a rackrail



430 (W)
132 (3U)



hanger for rack
Accessory

| General External Dimensions | |
|-----------------------------|--------|
| W | Width |
| D | Depth |
| H | Height |

| | | |
|---|----------------|-------------------|
| Drawn by | Name | Date |
| alvaro.santos | alvaro.santos | 06/09/2024 |
| Reference | RBAG.0431 1.3U | |
| Scale | units in mm | general tolerance |
| 1:5 | DO NOT SCALE | 0.6mm |
| Rack Rail Bag, 3Ux110 (para Pendurar em Prumos de Rack) | | |



This drawing must not be copied or disclosed without consent of the owner



A3