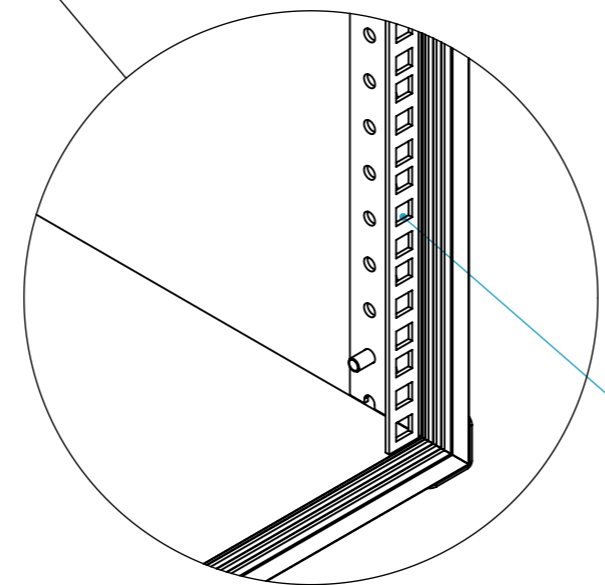
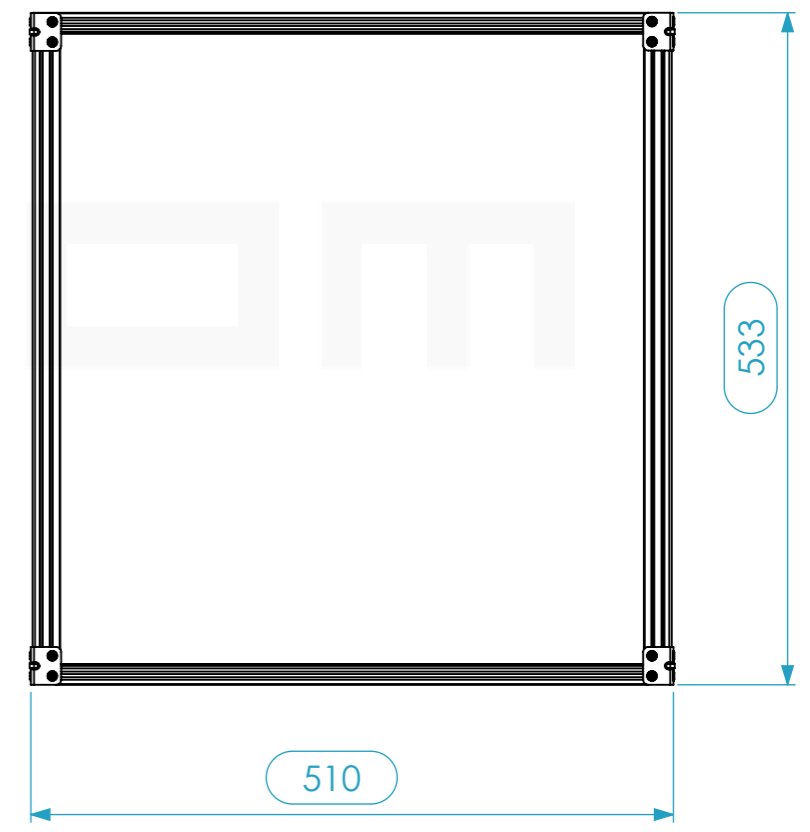
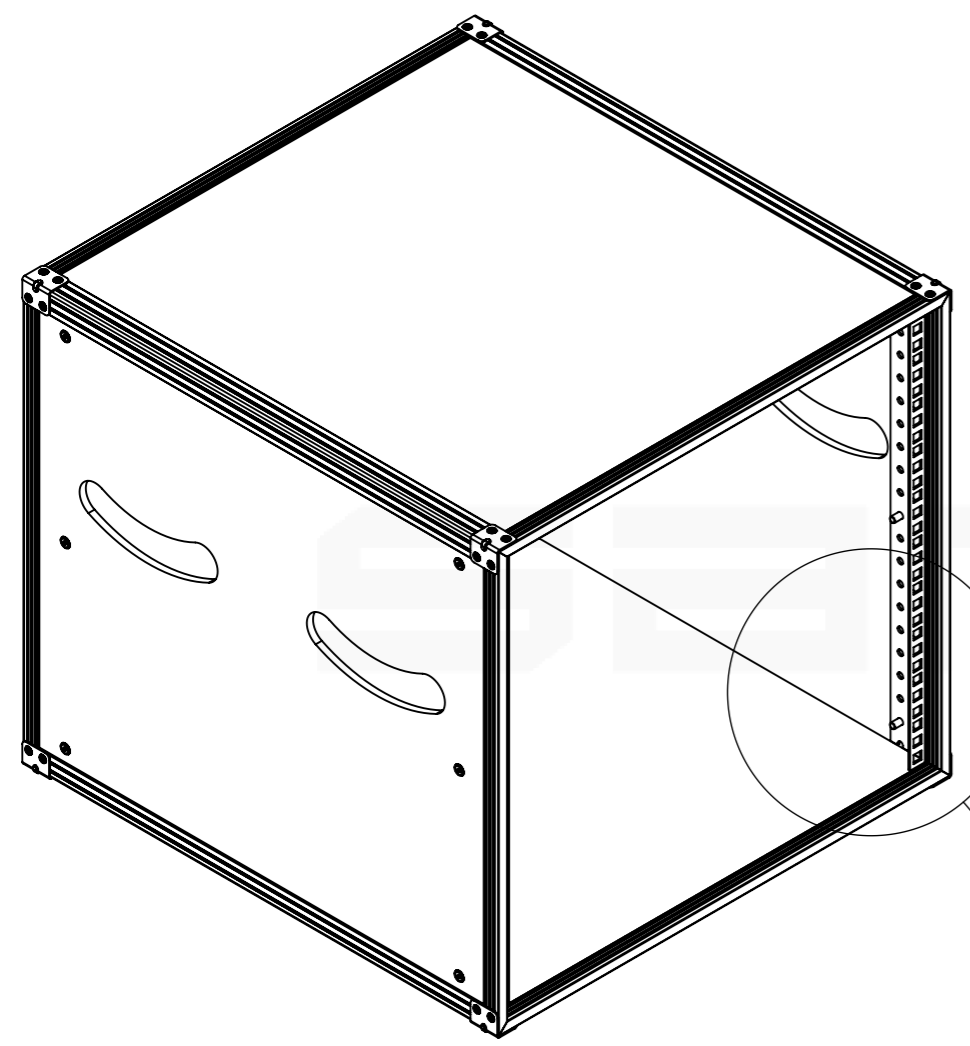
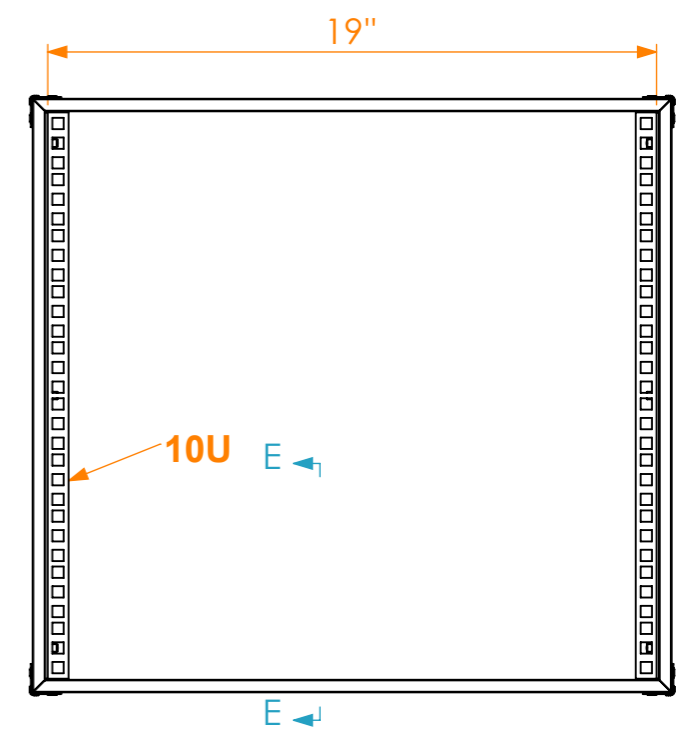
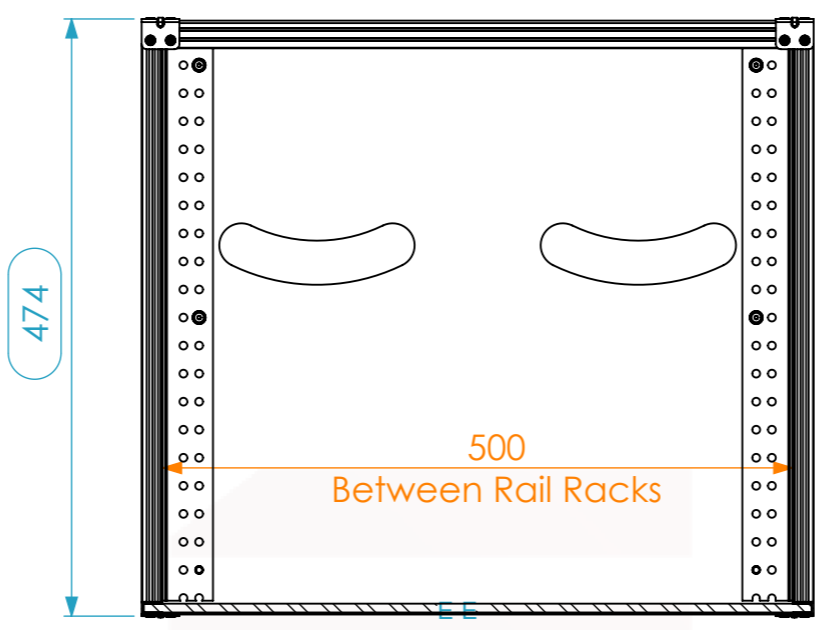


Internal Dimensions		
Width	Depth	Height
19"	550	10
Weight	Approx. 6 Kg	
Wall Thickness	mm	



2 mm thick steel rack rails for standard M6 cage nuts

A3 This drawing must not be copied or disclosed without consent of the owner

Drawn by	Name	Date
CarlaSilva	CarlaSilva	24/11/2020
Reference	RBA.1055	
Scale	units in mm	general tolerance
1:6	DO NOT SCALE	0.8mm
19" Basic Rack, 10U 500-BRR		

