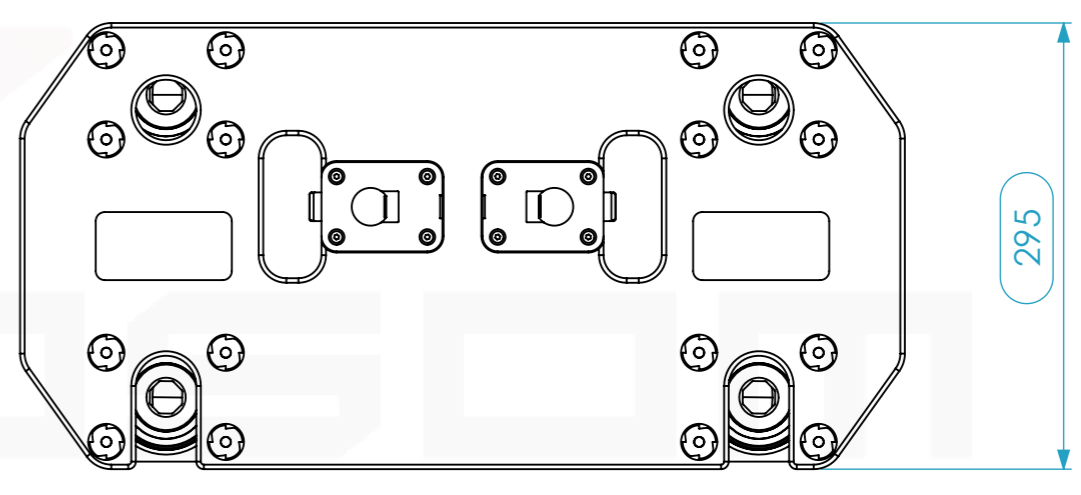
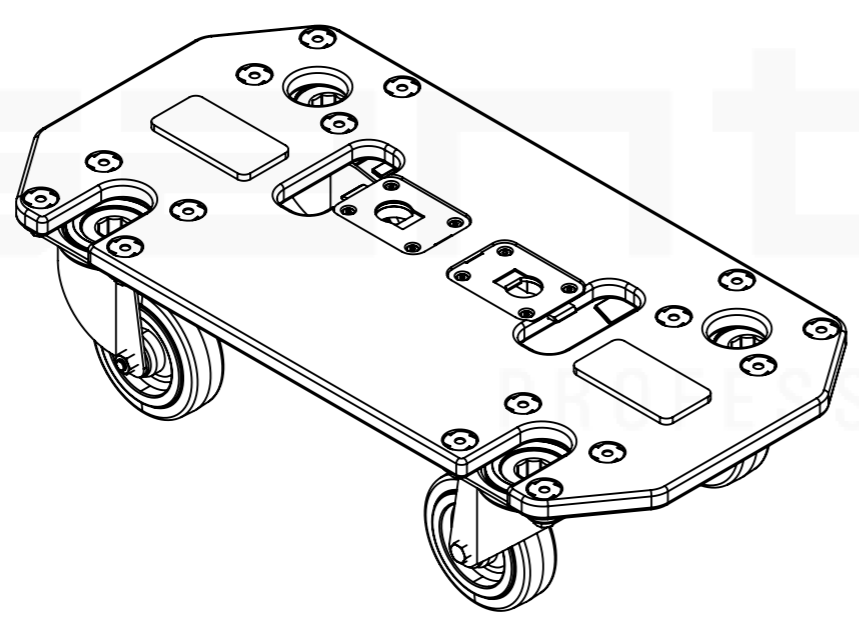
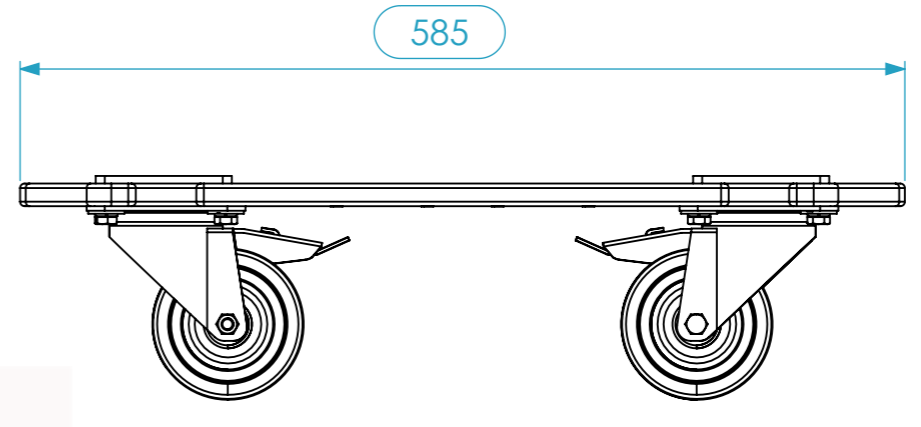
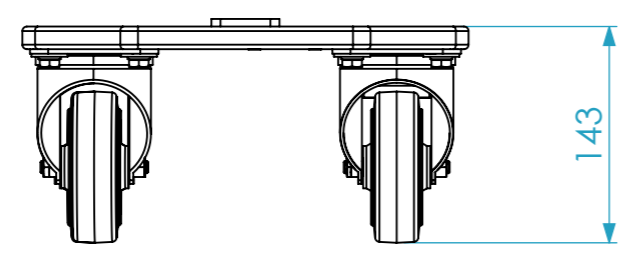


<b>Weight</b>	Approx. 4 Kg
<b>Wall Thickness</b>	15mm



Hardware		
QTY.	Ref.	Description
2	L2572	Sliding Latch system - ultra slim
2	RODA.100T	Swivel castor Ø100mm with brake
2	RODA.100	Swivel castor Ø100 mm

A3 This drawing must not be copied or disclosed without consent of the owner

Drawn by	alexandre	Date	03-05-2018
Reference	R3A.06030		
Scale	1:5	units in mm	DO NOT SCALE
		general tolerance	0.8mm
1st Angle projection	SKATE AMOVÍVEL, 585X295		

