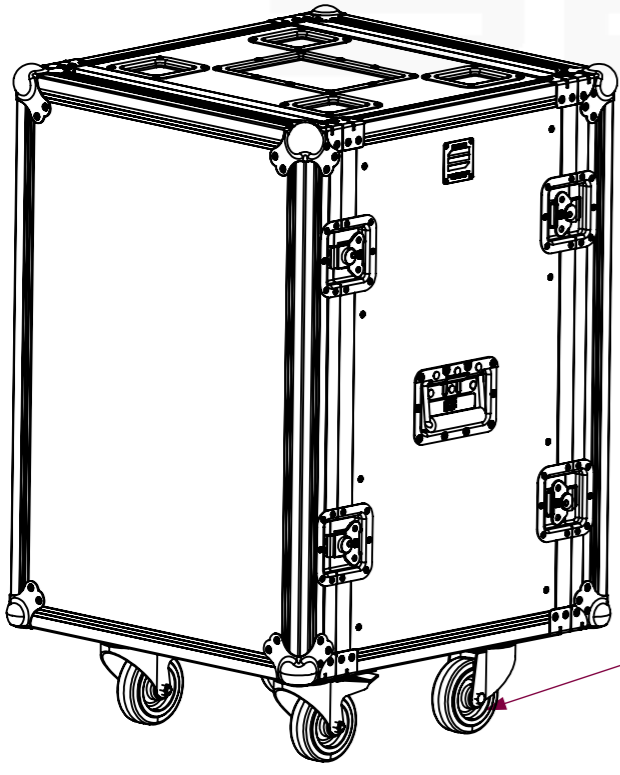
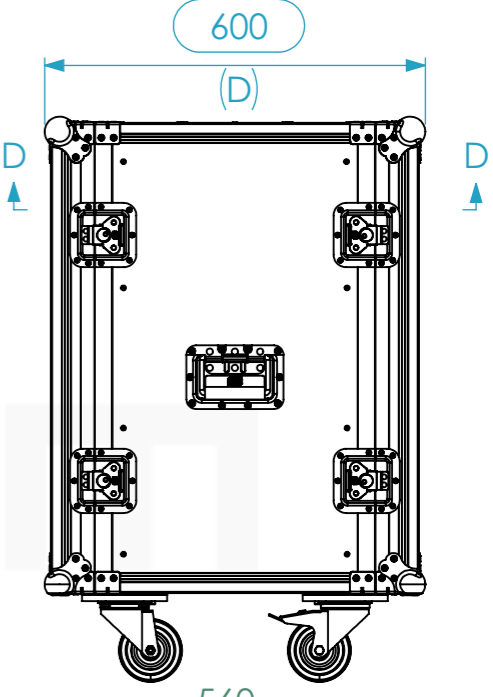
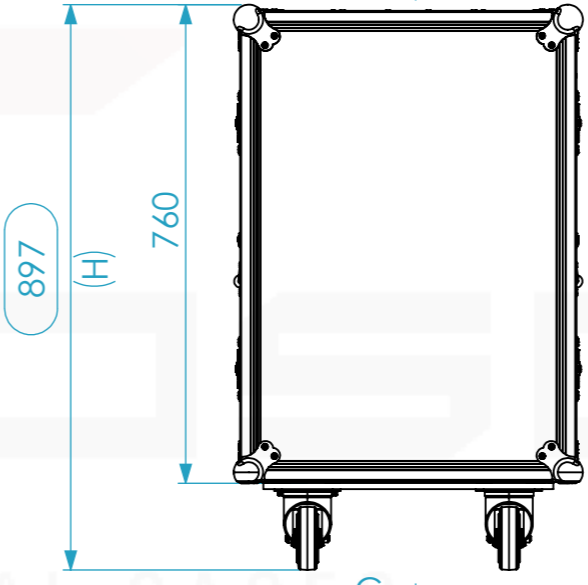
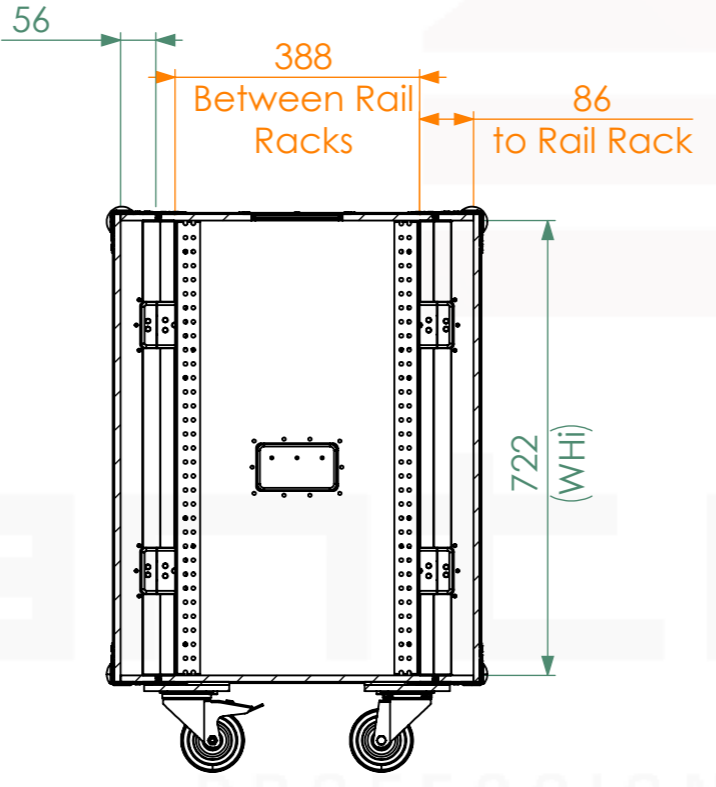
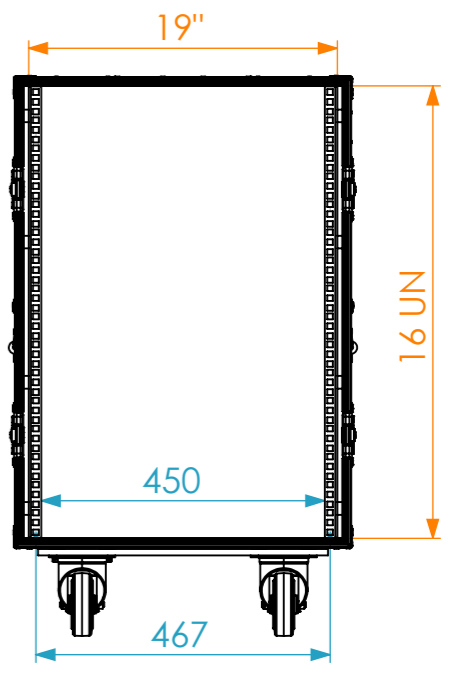
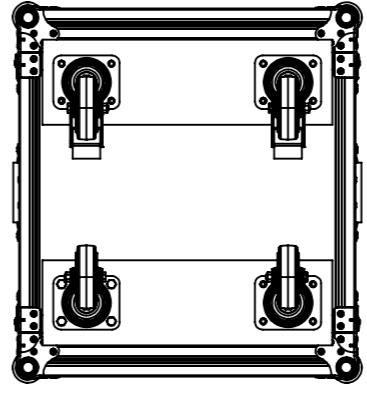
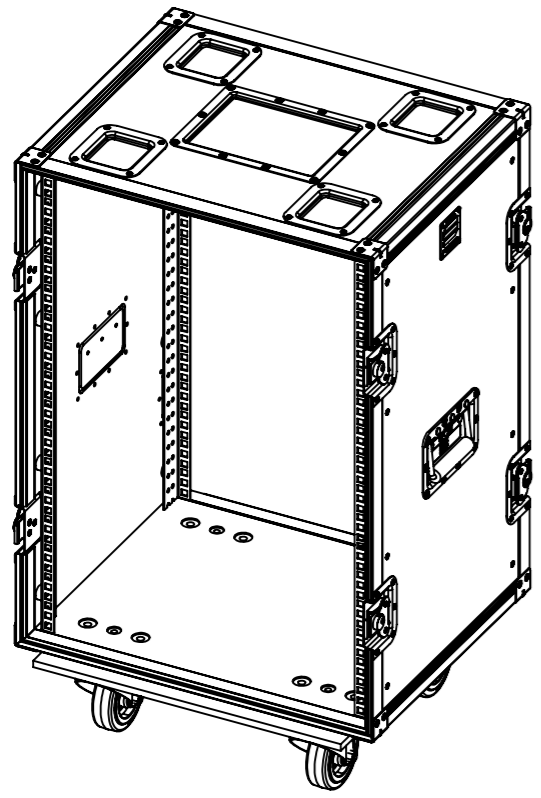
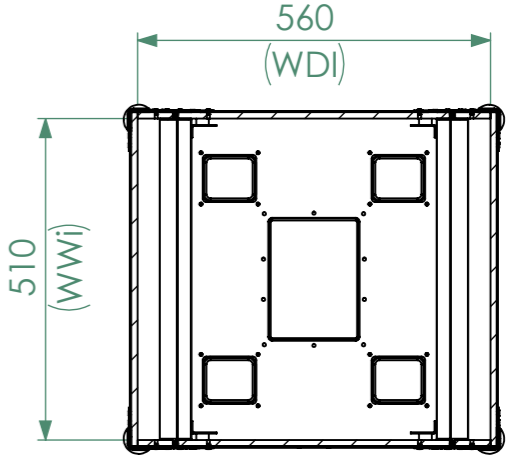
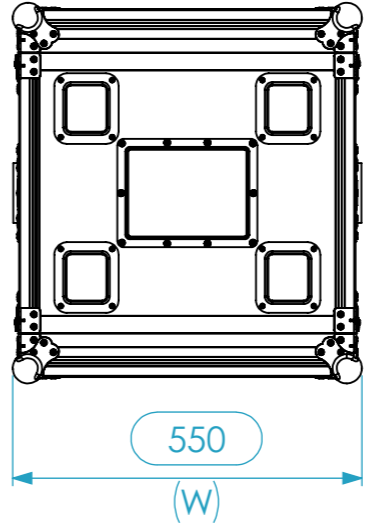


Internal Dimensions		
Width	Depth	Height
19"	490	16 UN
Weight	Approx. 28.66 Kg	
Wall Thickness	10mm	



Kit 2 wheel support
+ 4 wheels 100mm
(2 with brake) REF: KR2.055

C-C
SCALE 1 : 10



D-D
SCALE 1 : 10

General External Dimensions		Usable Inner Dimensions		Wood Inner Dimensions	
W	Width	Wi	Inside Width	WWi	Wood Inside Width
D	Depth	Di	Inside Depth	WDi	Wood Inside Depth
H	Height	Hi	Inside Height	WHi	Wood Inside Height

A3 This drawing must not be copied or disclosed without consent of the owner

Name	Date
Drawn by projects	10/05/2021
Reference	R2T.1660R
Scale	1:12
units in mm	general tolerance 0.8mm
DO NOT SCALE	
1st Angle projection	19" 2C-RACK, 16U 388-BRR Rodas

