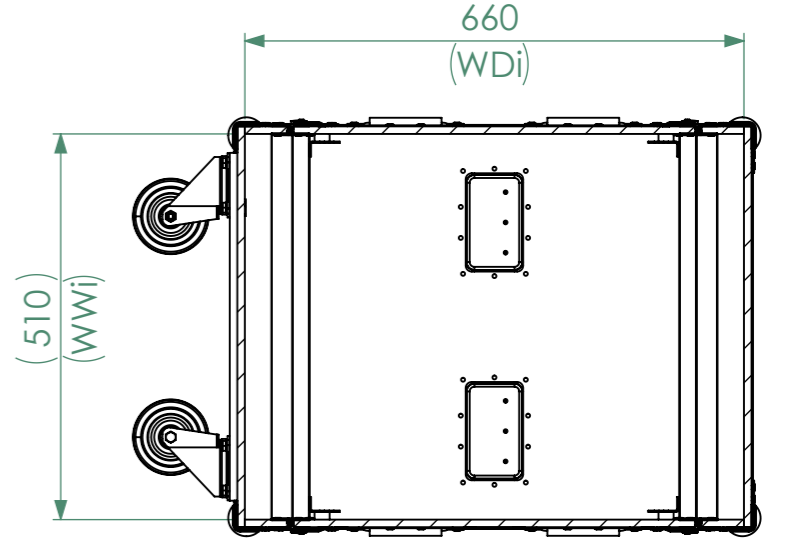
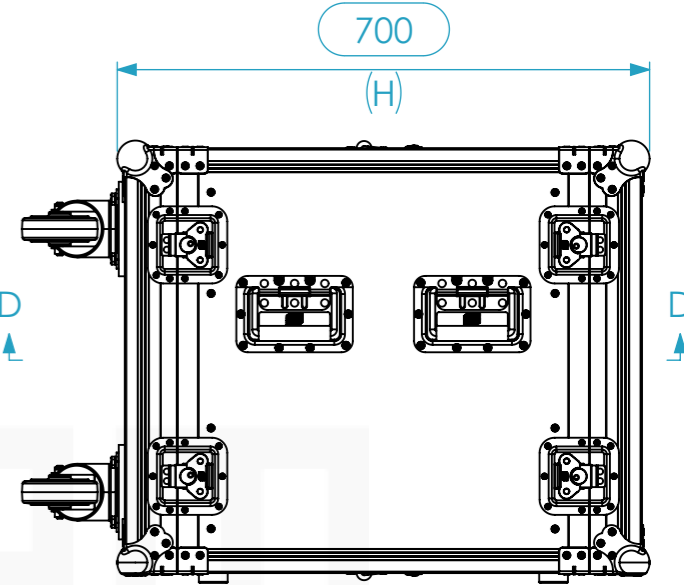
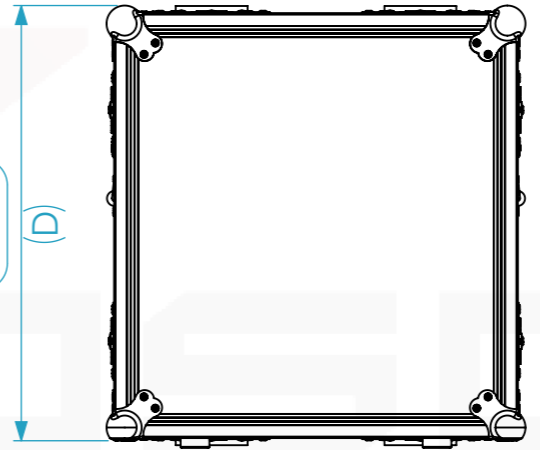
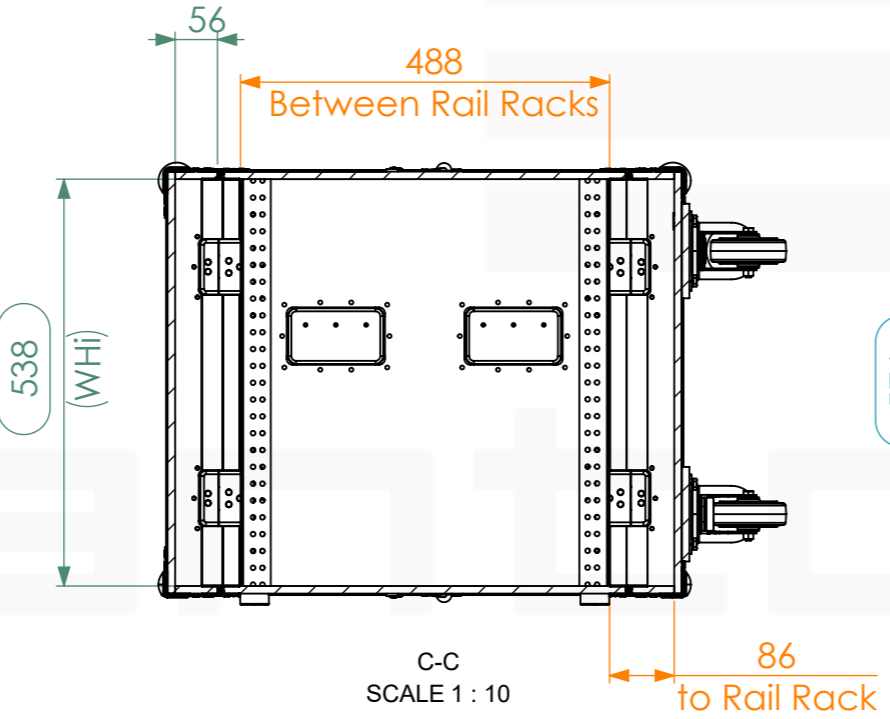
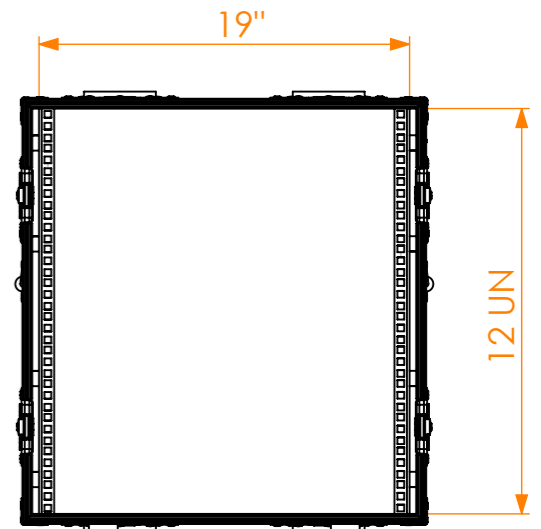
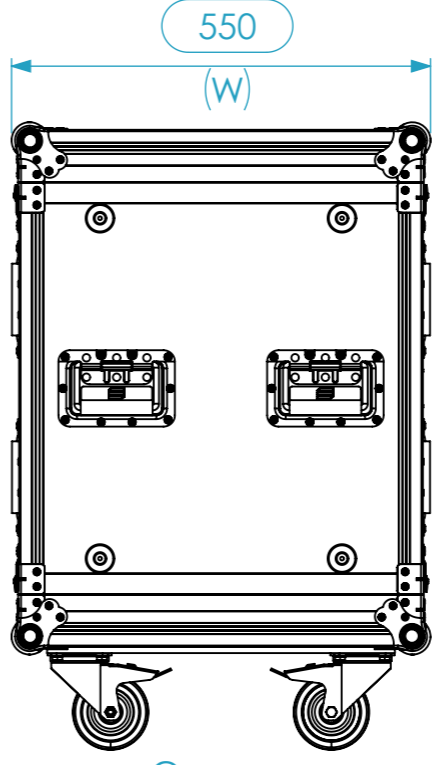
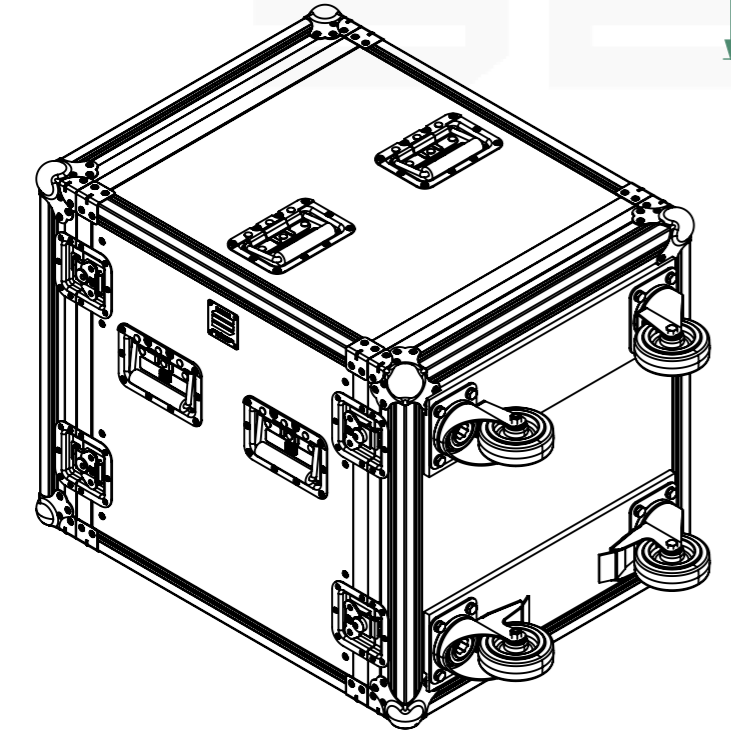
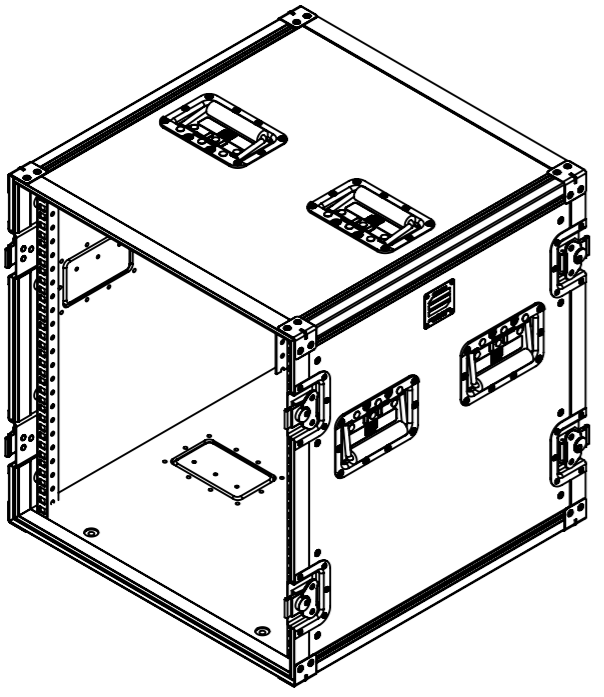


Internal Dimensions		
Width	Depth	Height
19"	490	12 UN
Weight	Approx. 27 Kg	
Wall Thickness	10mm	



D-D
SCALE 1 : 10

General External Dimensions		Usable Inner Dimensions		Wood Inner Dimensions	
W	Width	Wi	Inside Width	WWi	Wood Inside Width
D	Depth	Di	Inside Depth	WDi	Wood Inside Depth
H	Height	Hi	Inside Height	WHi	Wood Inside Height

Name	Date
Drawn by ricardocosta	10/07/2019
Reference	R2T.1070RA
Scale	1:8
units in mm	general tolerance 0.8mm
DO NOT SCALE	
1st Angle projection	19" 2C-RACK, 12U 505-BRR



This drawing must not be copied or disclosed without consent of the owner

A3