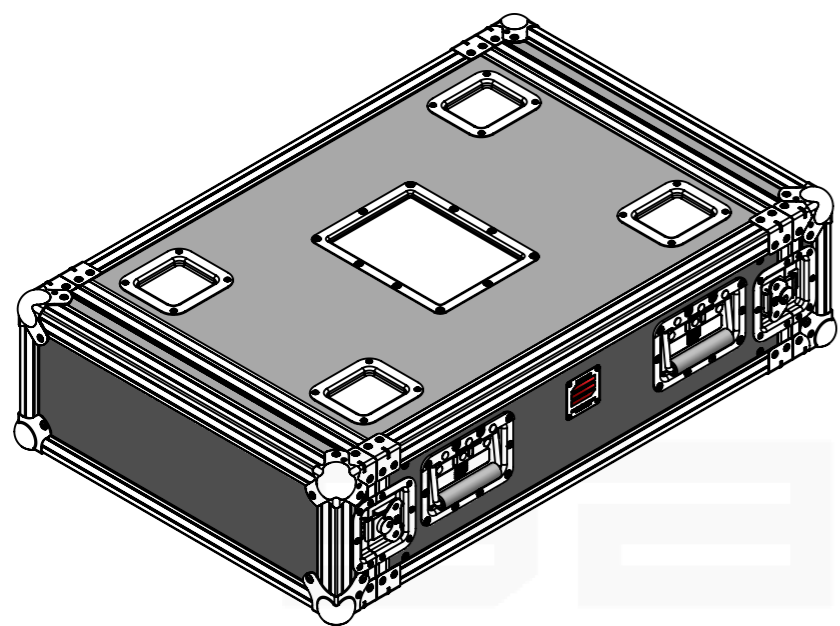
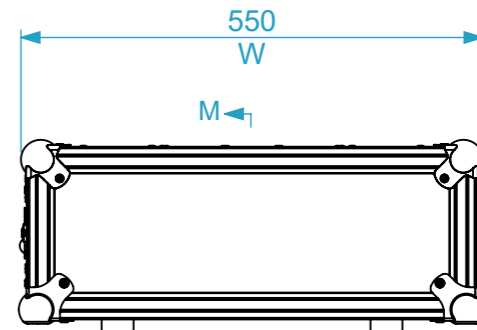
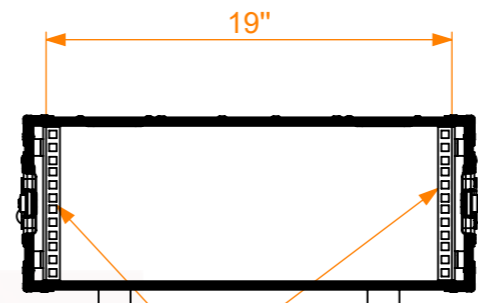
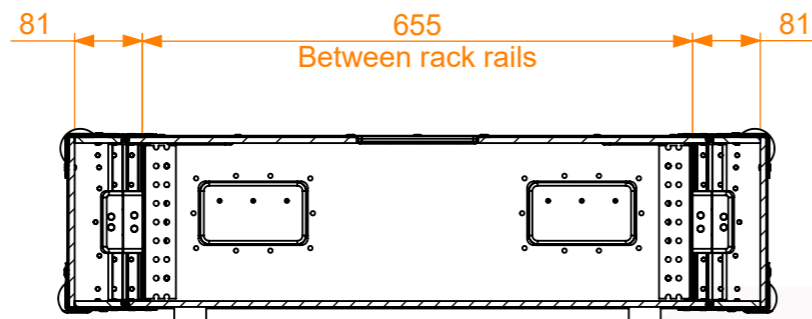
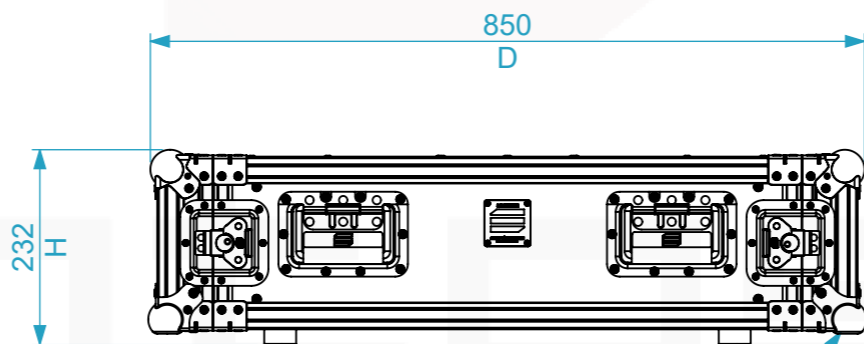


Internal Dimensions		
Width	Depth	Height
19"	655	4 UN
Weight	Approx. 13 Kg	
Wall Thickness	7mm	

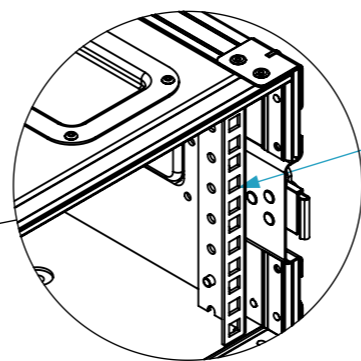
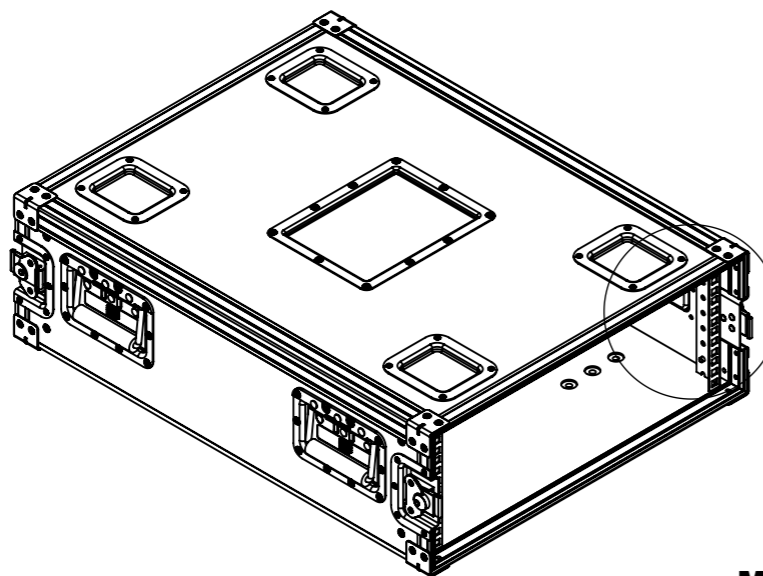
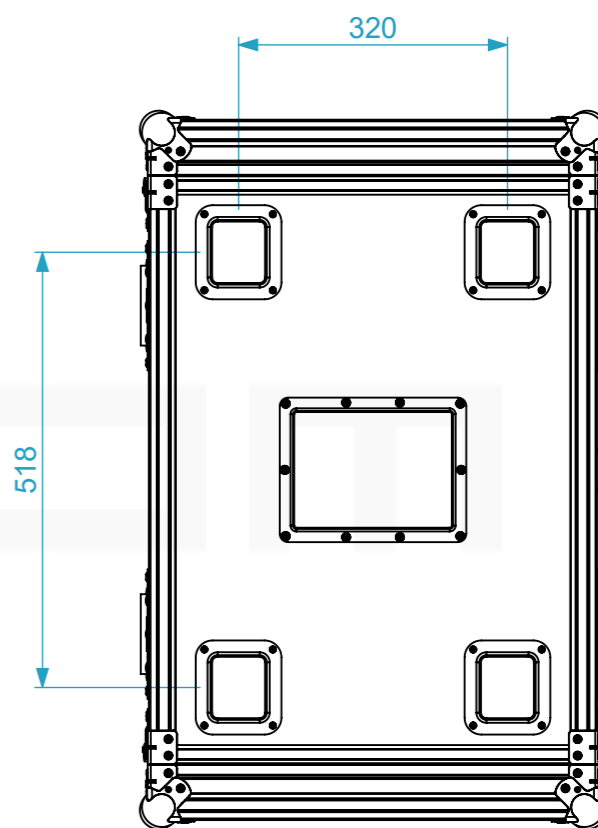


M-M



Rubber feet

Stackable ball corners



2 mm thick steel rack rails for standard M6 cage nuts

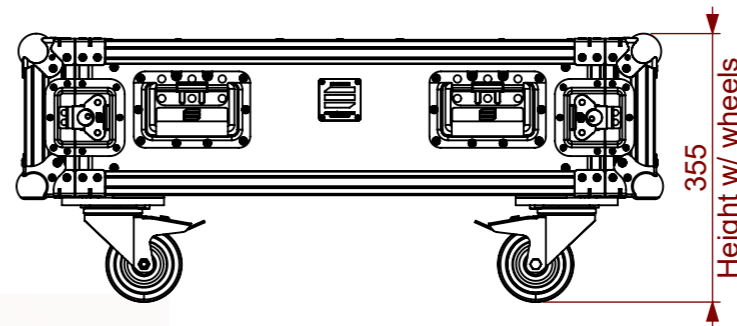
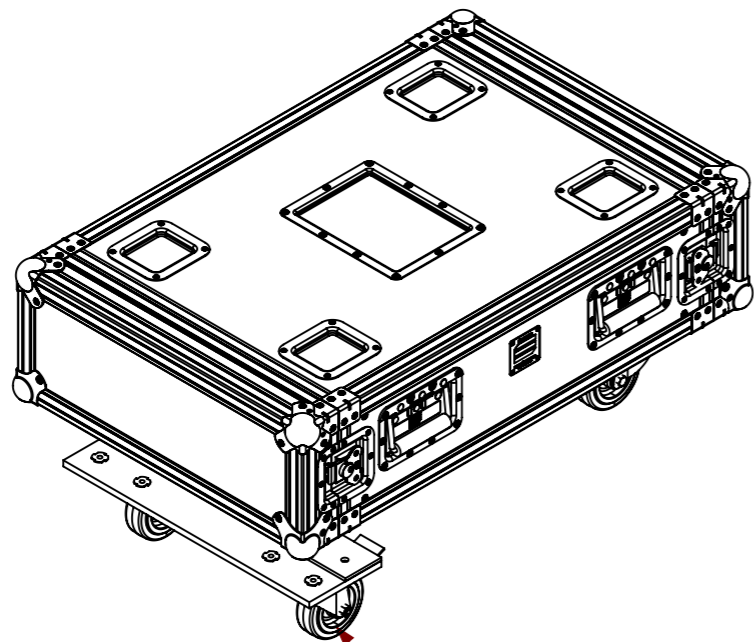
MORE DETAILS IN THE NEXT PAGE

Drawn by	Name	Date
alexandre	alexandre	15/07/2020
Reference	R2T.0485	
Scale	units in mm	general tolerance
1:9	DO NOT SCALE	0.8mm
1st Angle projection	19" 2C-RACK, 4U 655-BRR	



This drawing must not be copied or disclosed without consent of the owner

A3

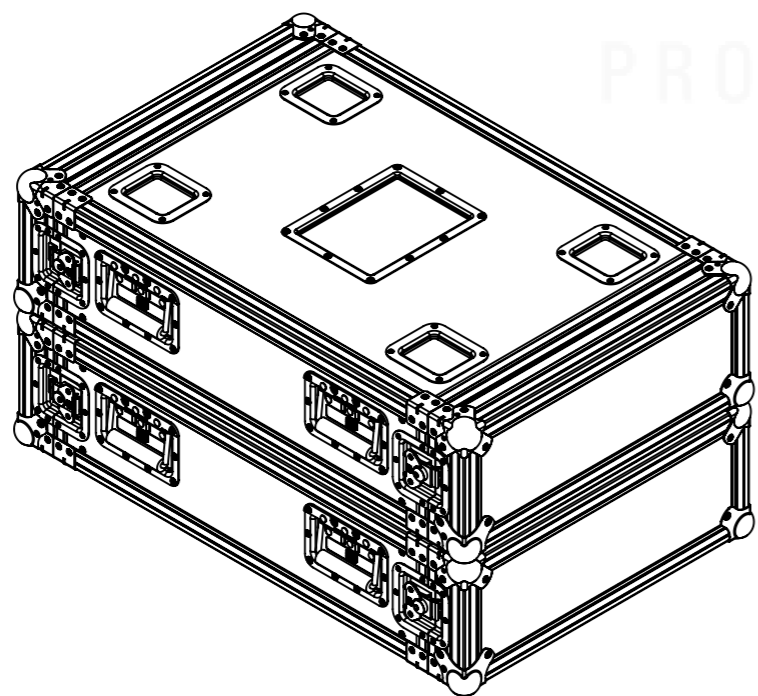
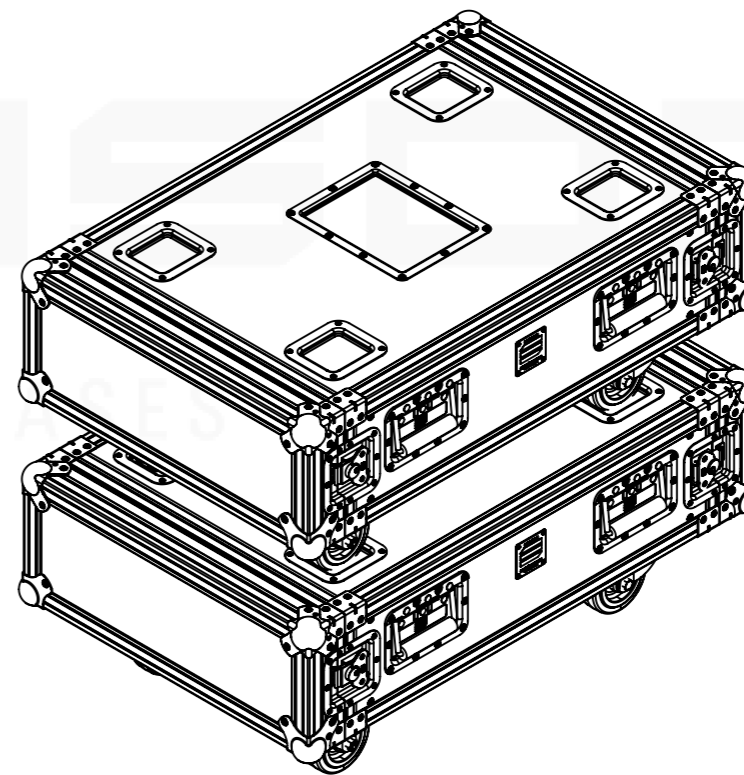


OPTIONAL - NEED TO BE ORDERED SEPARATELY

Kit 2 wheel support
+ 4 wheels 100mm
(2 with brake) REF: KR2.055

Stacking on wheels

Stacking on feet and corner balls



	Name	Date
Drawn by	alexandre	15/07/2020
Reference	R2T.0485	
Scale	units in mm	general tolerance
	1:10	0.8mm
1st Angle projection	19" 2C-RACK, 4U 655-BRR	

This drawing must not be copied or disclosed without consent of the owner

A3

