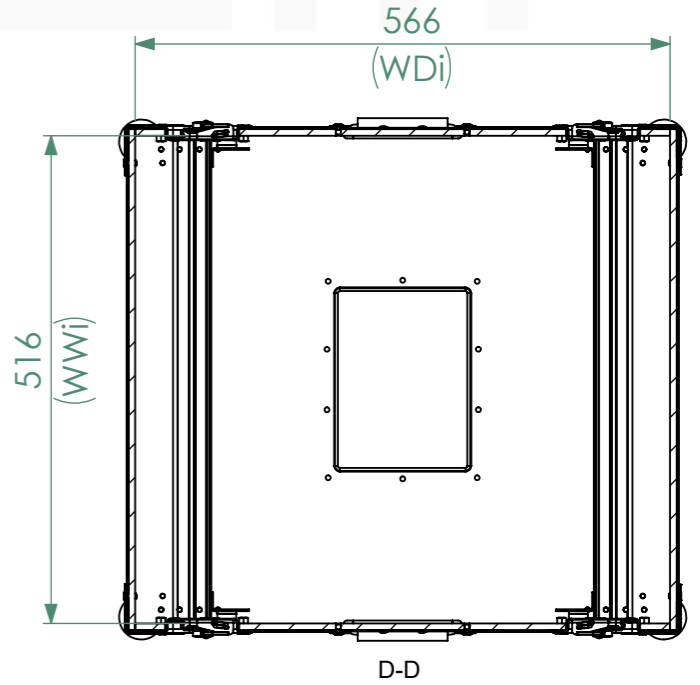
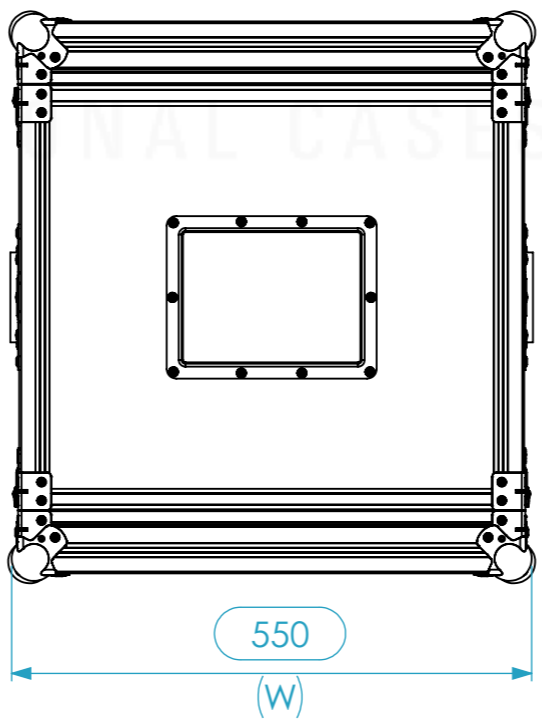
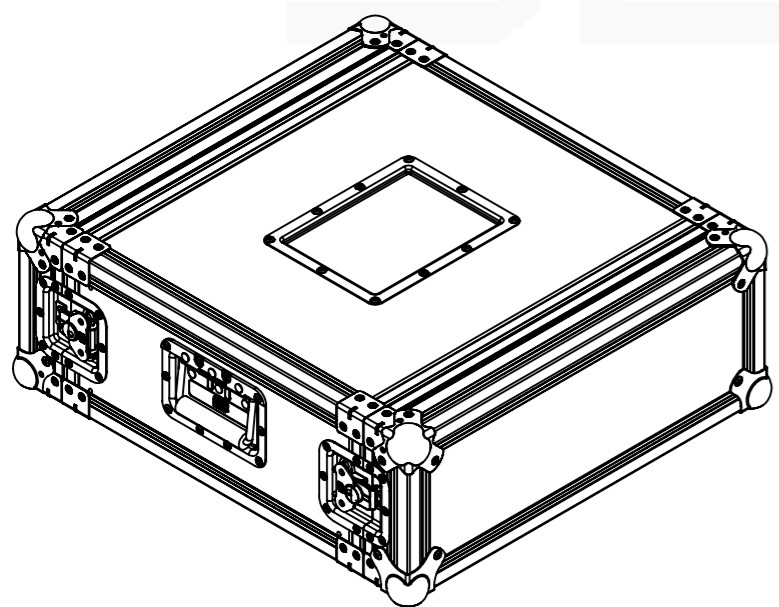
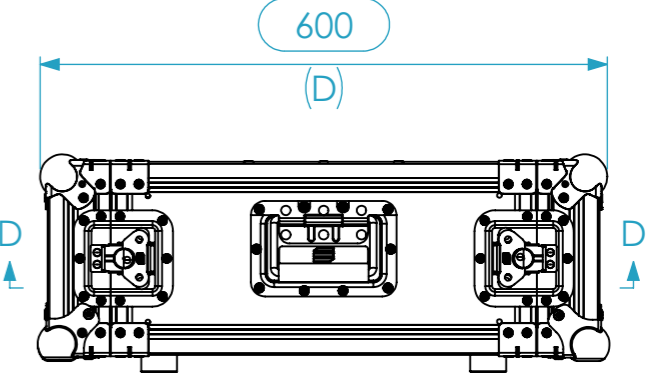
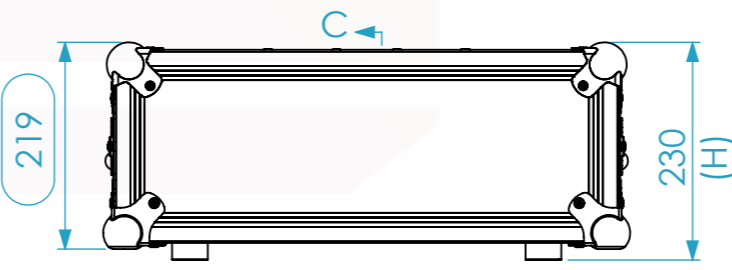
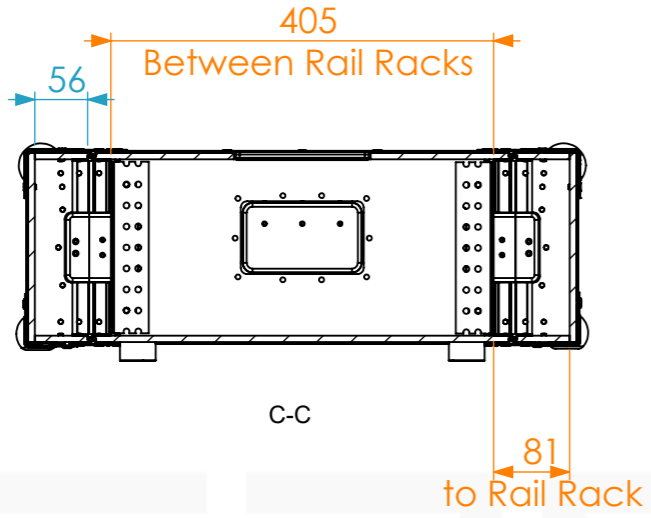
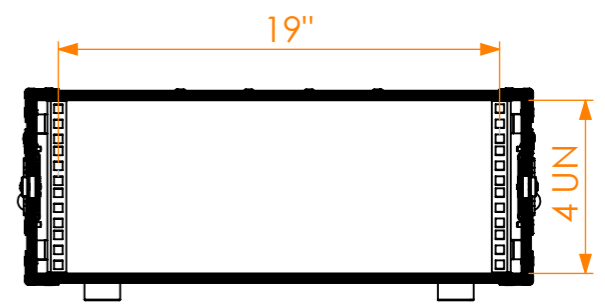
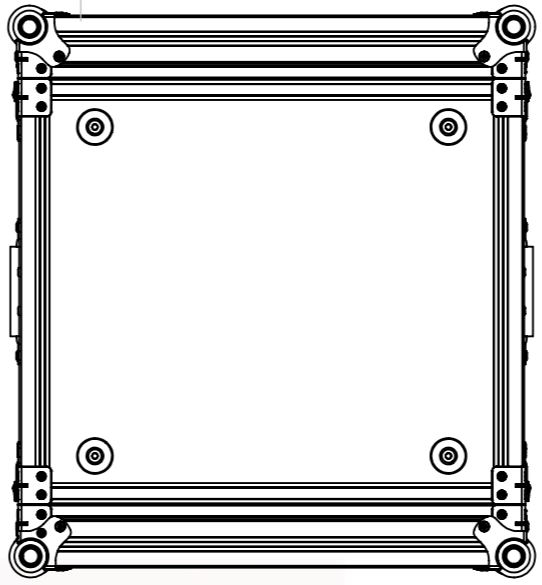


Internal Dimensions		
Width	Depth	Height
19"	490	4 UN
Weight	Approx. 10 Kg	
Wall Thickness	7mm	



General External Dimensions		Usable Inner Dimensions		Wood Inner Dimensions	
W	Width	Wi	Inside Width	WWi	Wood Inside Width
D	Depth	Di	Inside Depth	WDi	Wood Inside Depth
H	Height	Hi	Inside Height	WHi	Wood Inside Height

A3 This drawing must not be copied or disclosed without consent of the owner

Drawn by	Name	Date
paula.almeida		03/04/2023
Reference	R2T.0460	
Scale	units in mm	general tolerance
1:8	DO NOT SCALE	0.8mm
1st Angle projection	RACK 2C, 4U 405-BRR	

