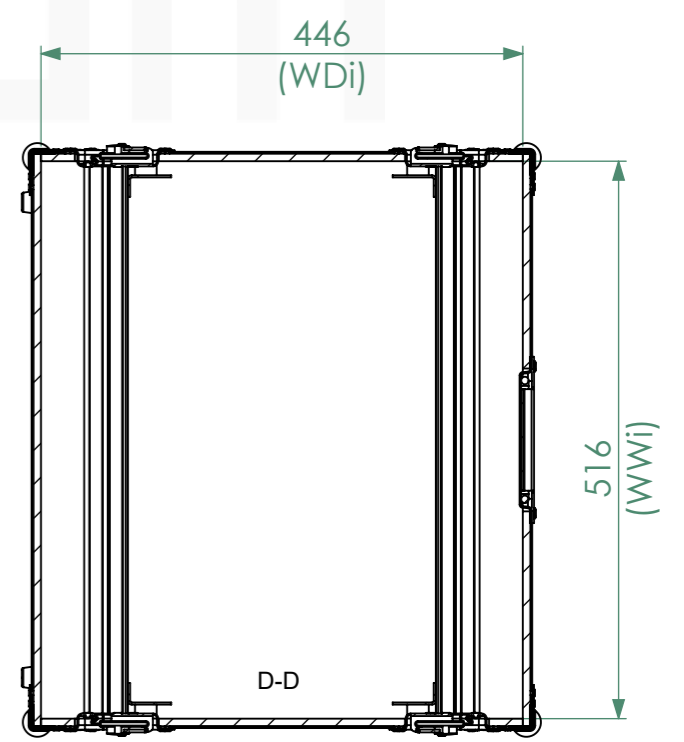
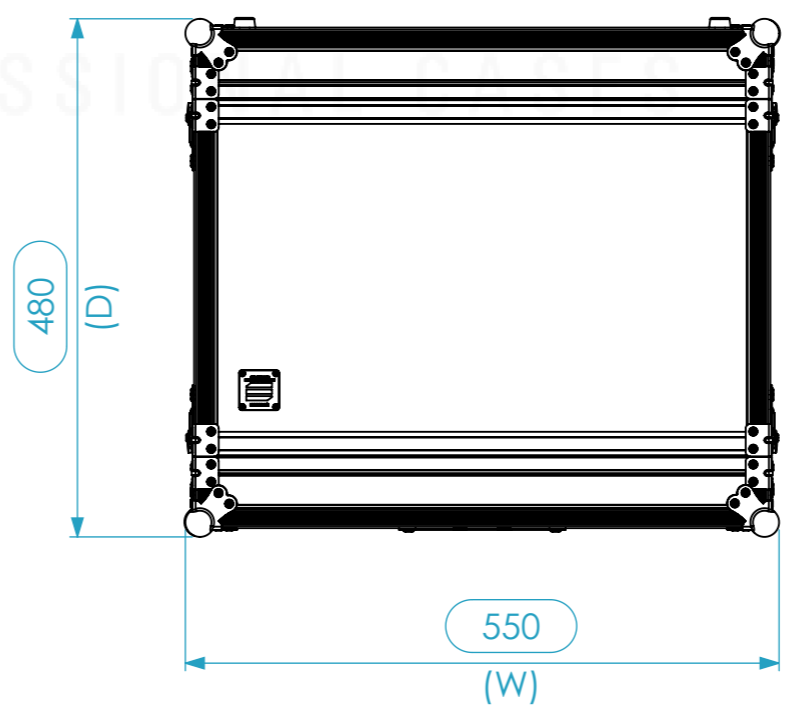
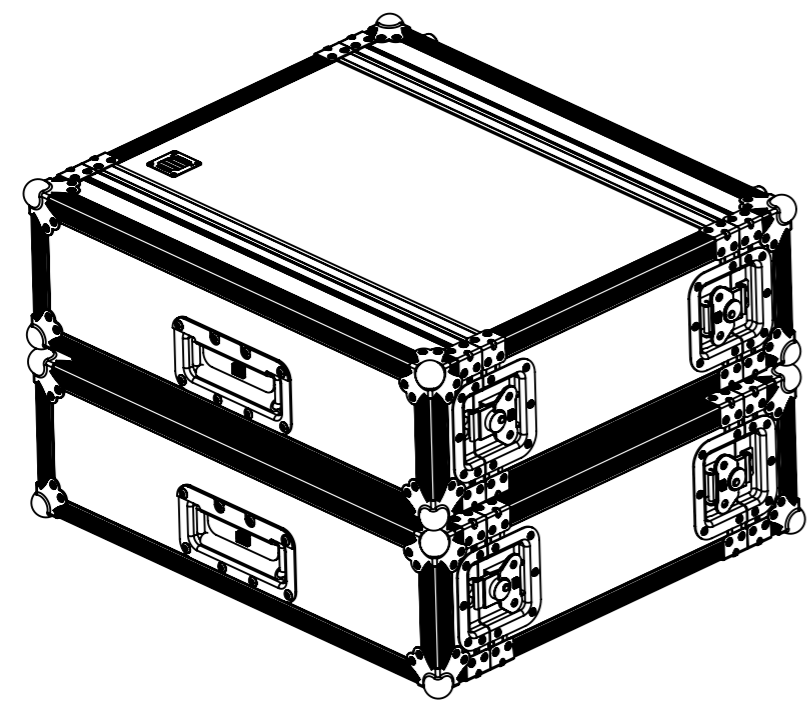
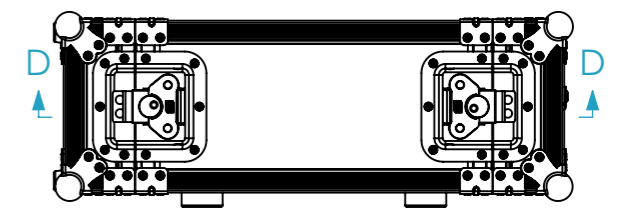
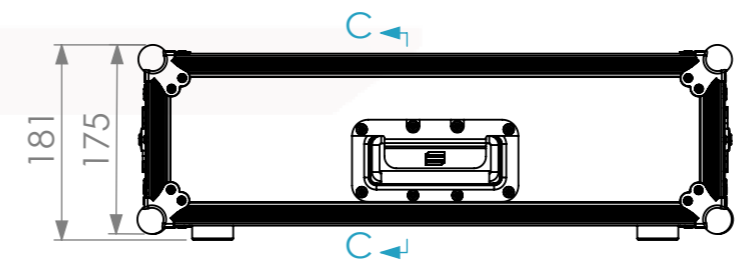
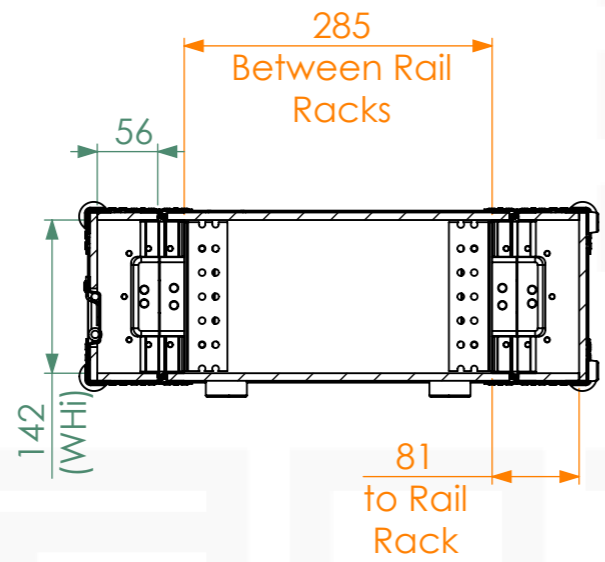
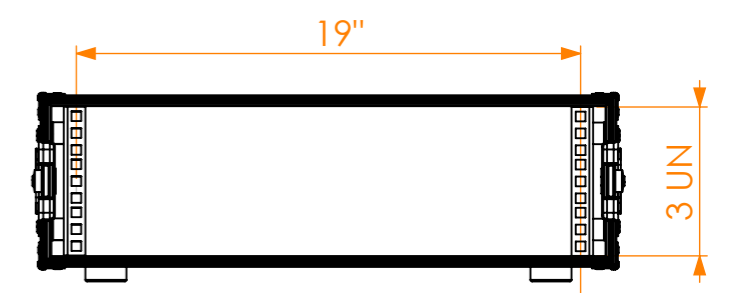
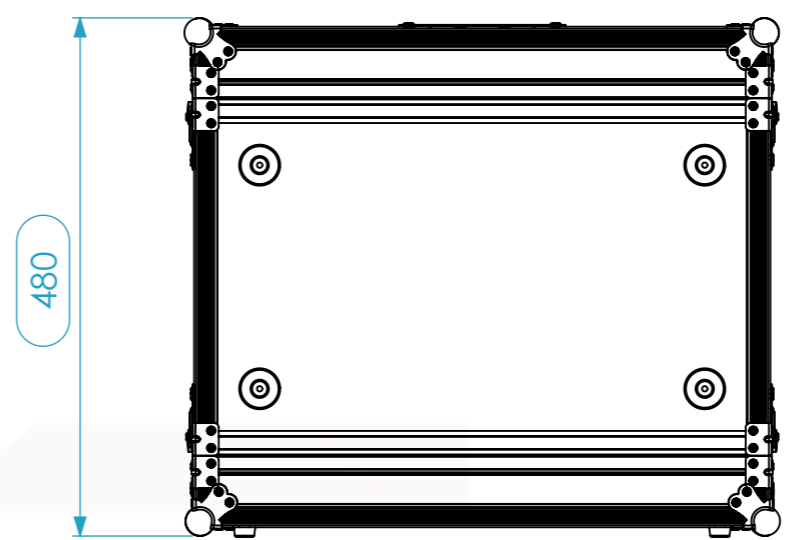
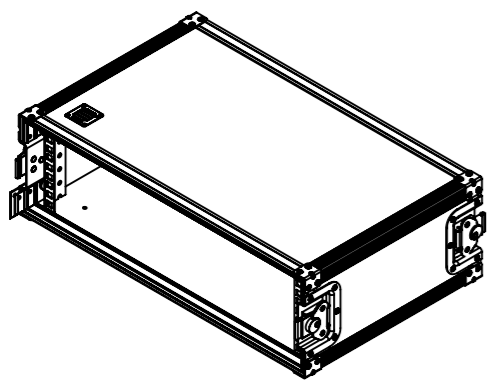


Internal Dimensions		
Width	Depth	Height
19"	285	3 UN
Weight	Approx. 7 Kg	
Wall Thickness	7mm	



General External Dimensions
Usable Inner Dimensions (UID)
Wood Inner Dimensions (WID)

A3 This drawing must not be copied or disclosed without consent of the owner

Drawn by	Name	Date
CarlaSilva	CarlaSilva	21/10/2019
Reference	R2T.0348	
Scale	units in mm	general tolerance
1:7	DO NOT SCALE	0.8mm
1st Angle projection	RACK 2C, 3U 285-BRR	

