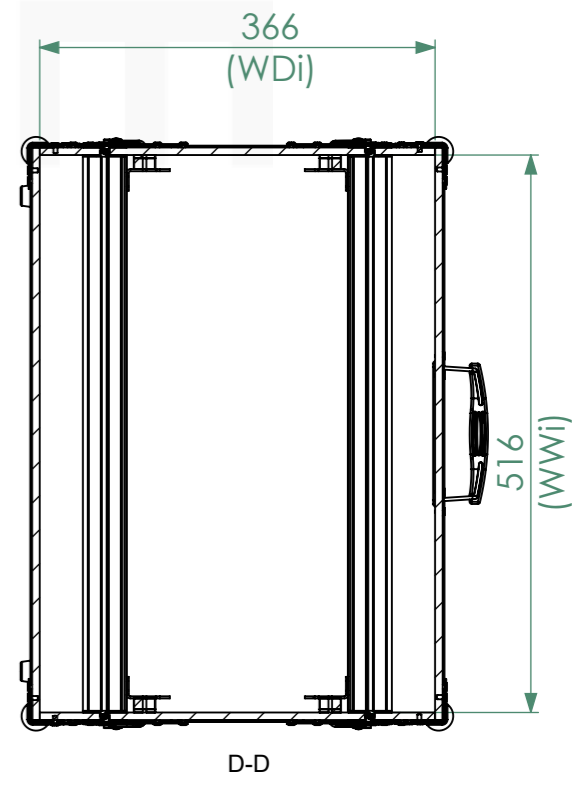
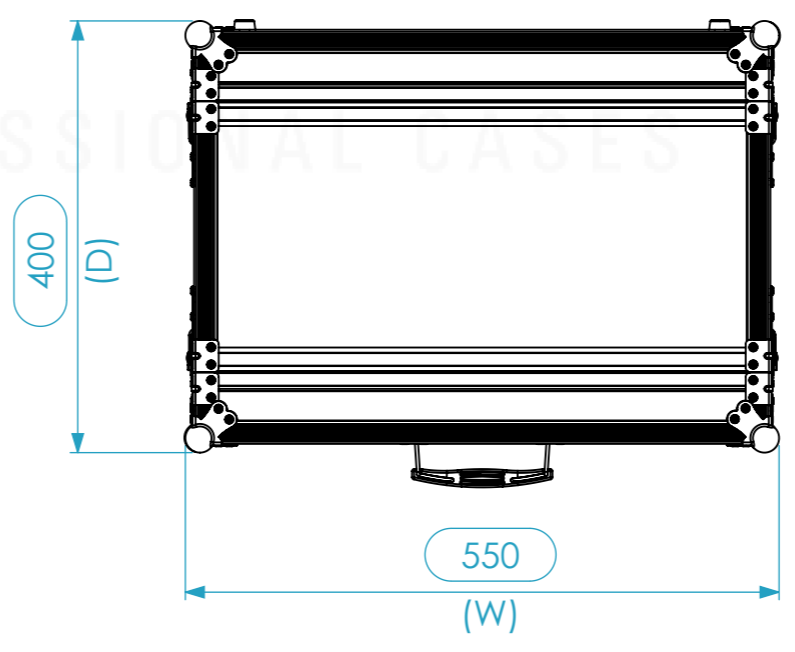
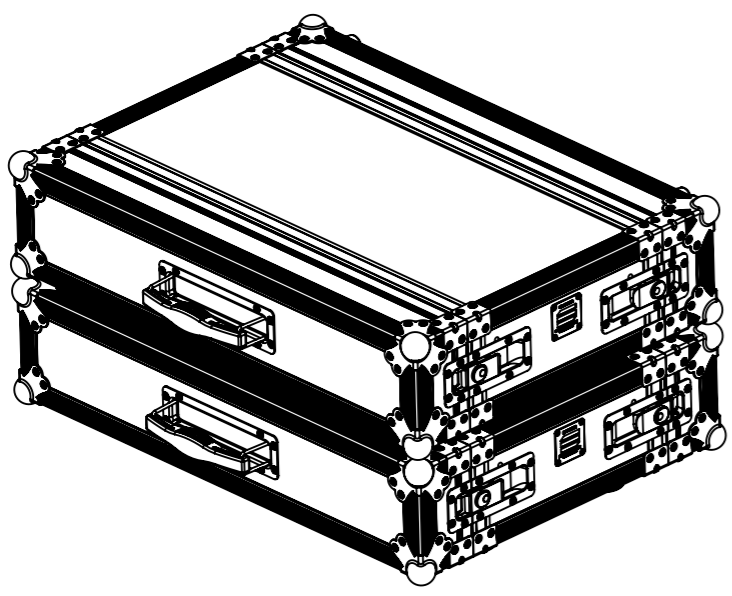
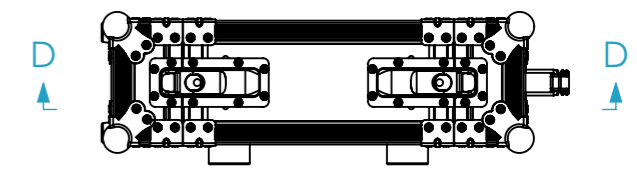
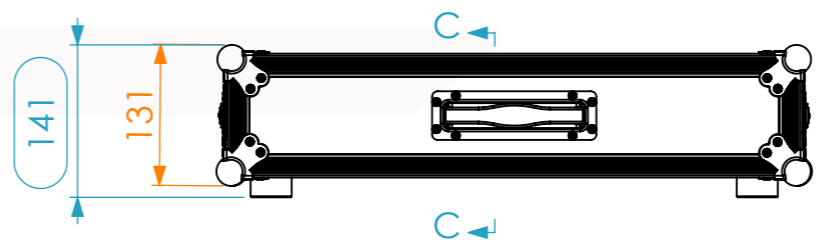
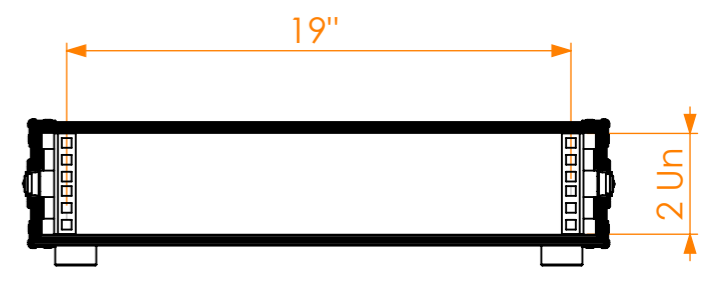
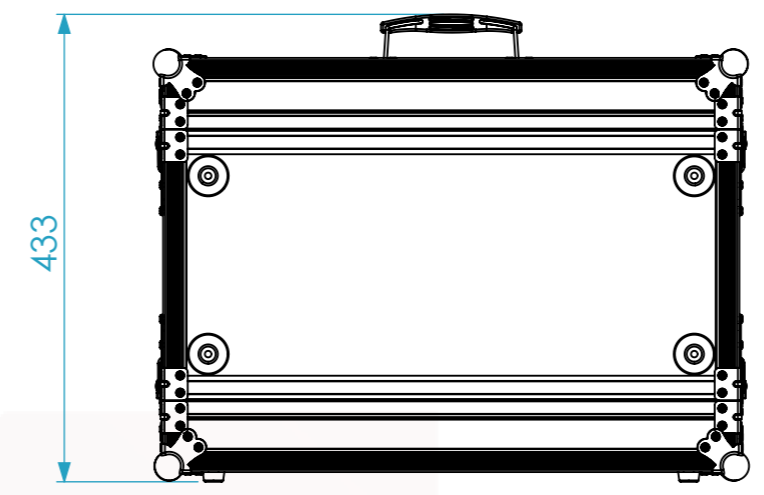
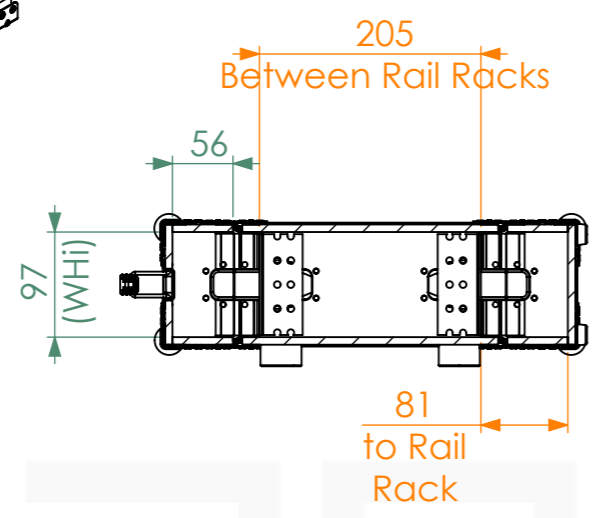
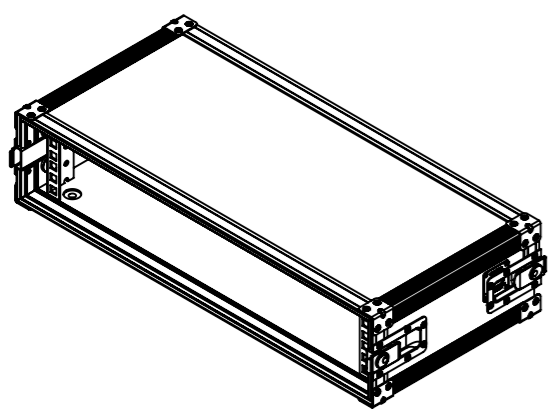


Internal Dimensions		
Width	Depth	Height
19"	205	2 UN
Weight	Approx. 5 Kg	
Wall Thickness	7mm	



General External Dimensions
Usable Inner Dimensions (UID)
Wood Inner Dimensions (WID)

A3 This drawing must not be copied or disclosed without consent of the owner

Drawn by	ricardocosta	Date	03/07/2019
Reference	R2T.0240		
Scale	1:7	units in mm	DO NOT SCALE
		general tolerance	0.8mm
1st Angle projection	19" 2C-Rack 2U 205-BRR		

