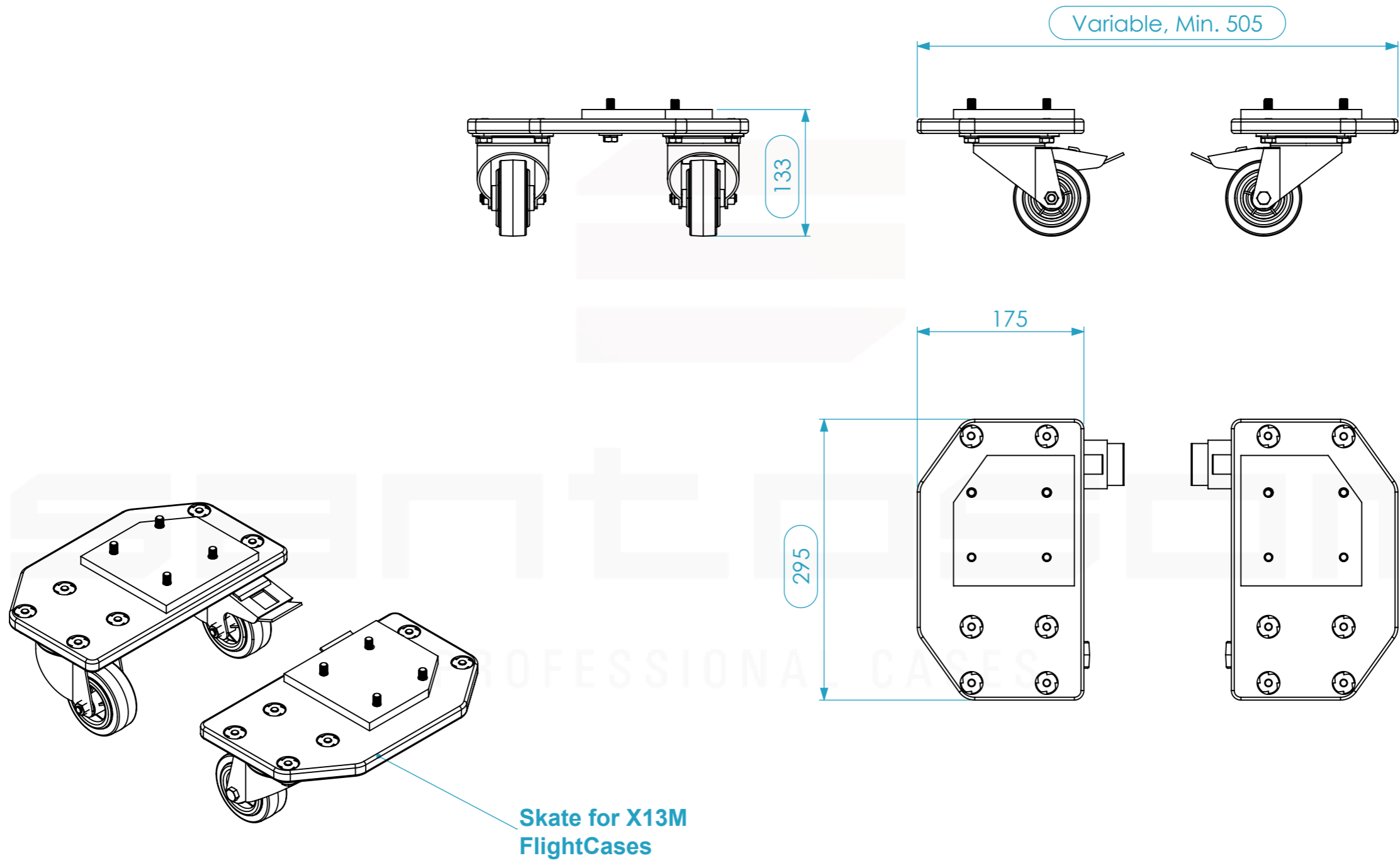


Weight	Approx. 7 Kg
Wall Thickness	15mm



Drawn by	Name	Date
alexandre	alexandre	30-10-2019
Reference	R2.030A	
Scale	units in mm	general tolerance
1:5	DO NOT SCALE	0.8mm
1st Angle projection	SKATE, 300X175	

This drawing must not be copied or disclosed without consent of the owner



A3