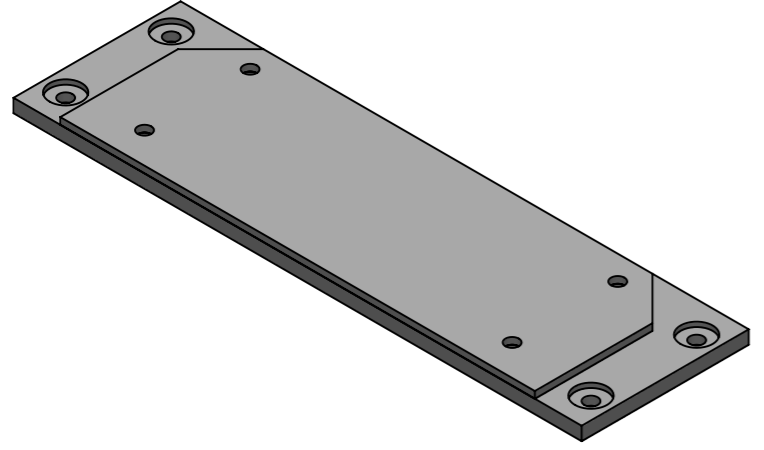
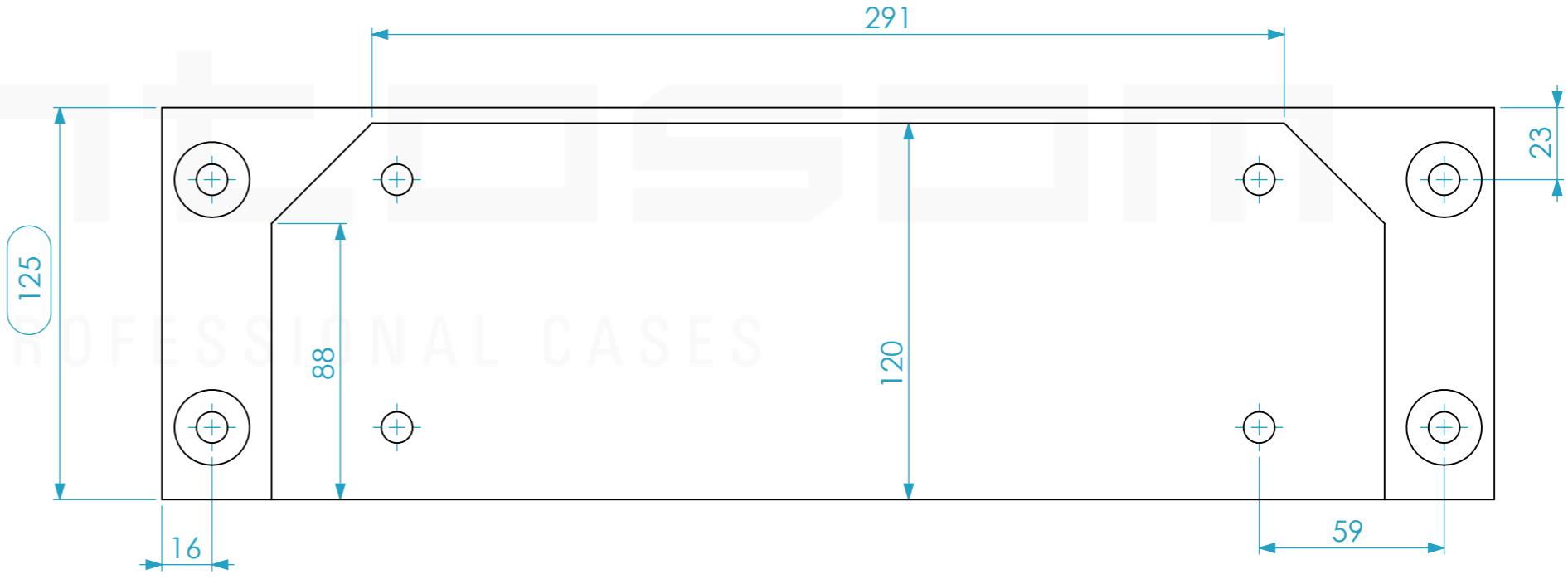
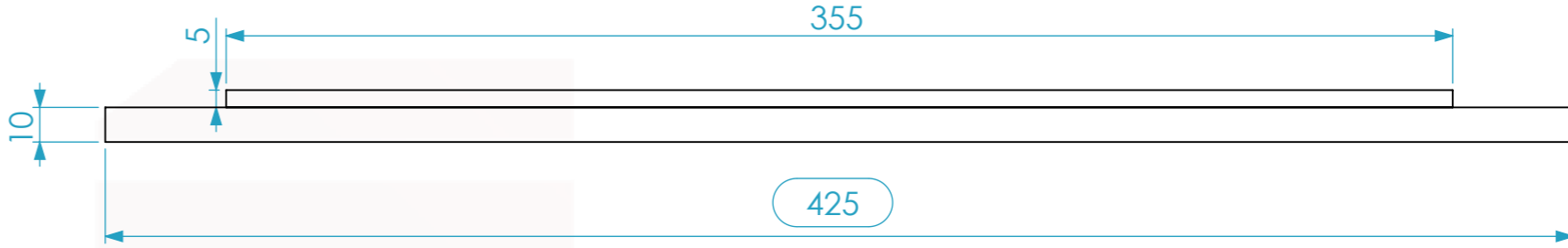


Internal Dimensions		
Width	Depth	Height
425	125	15
Weight	Approx. Kg	
Wall Thickness		15mm



A3 This drawing must not be copied or disclosed without consent of the owner

Drawn by	Name	Date
CatarinaHenriques	R1.048	20/07/2018
Reference	R1.048	
Scale	units in mm	general tolerance
1:2	DO NOT SCALE	0.8mm
SUPORTE PARA FIXAÇÃO DE RODAS CASES 480		

