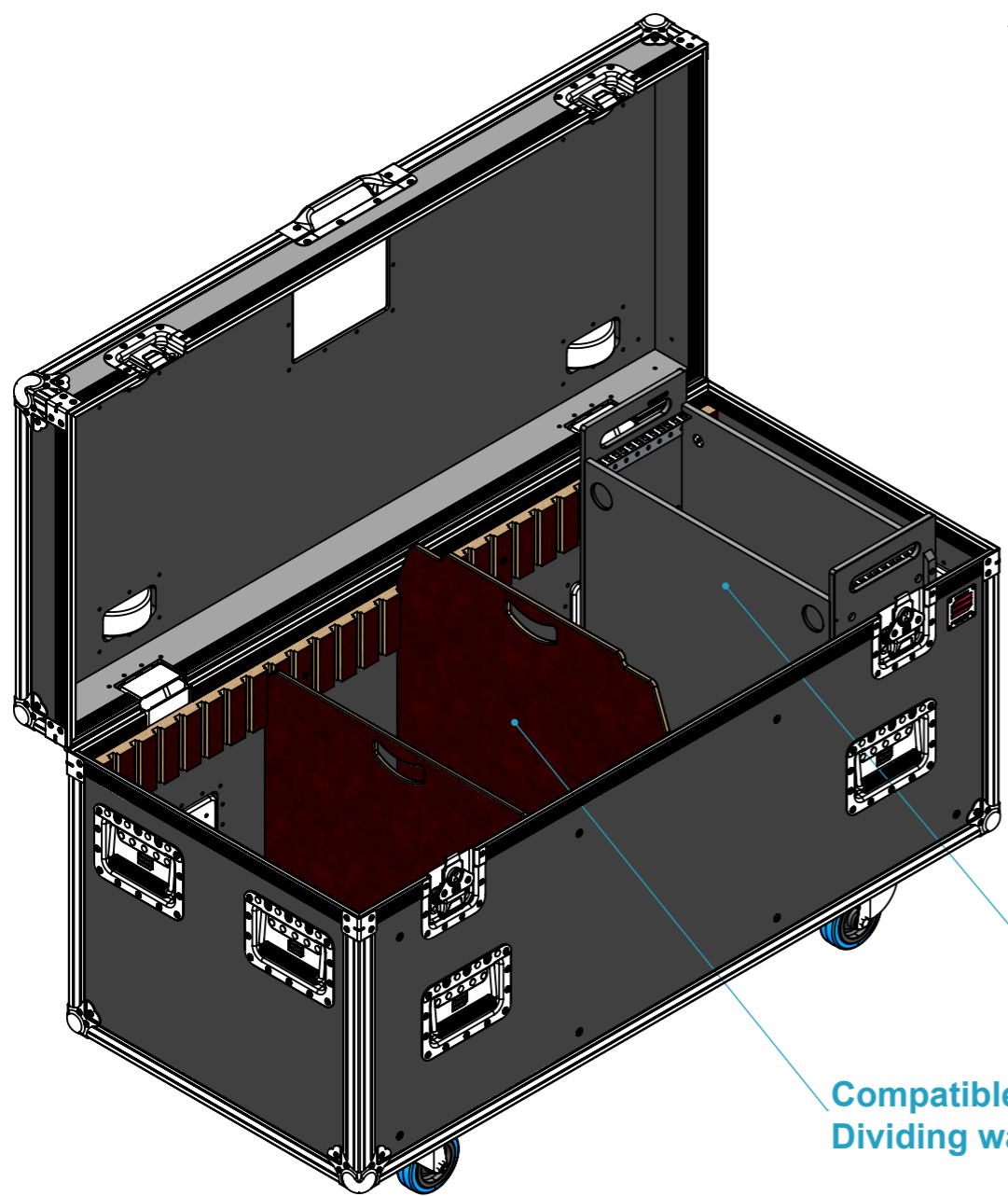
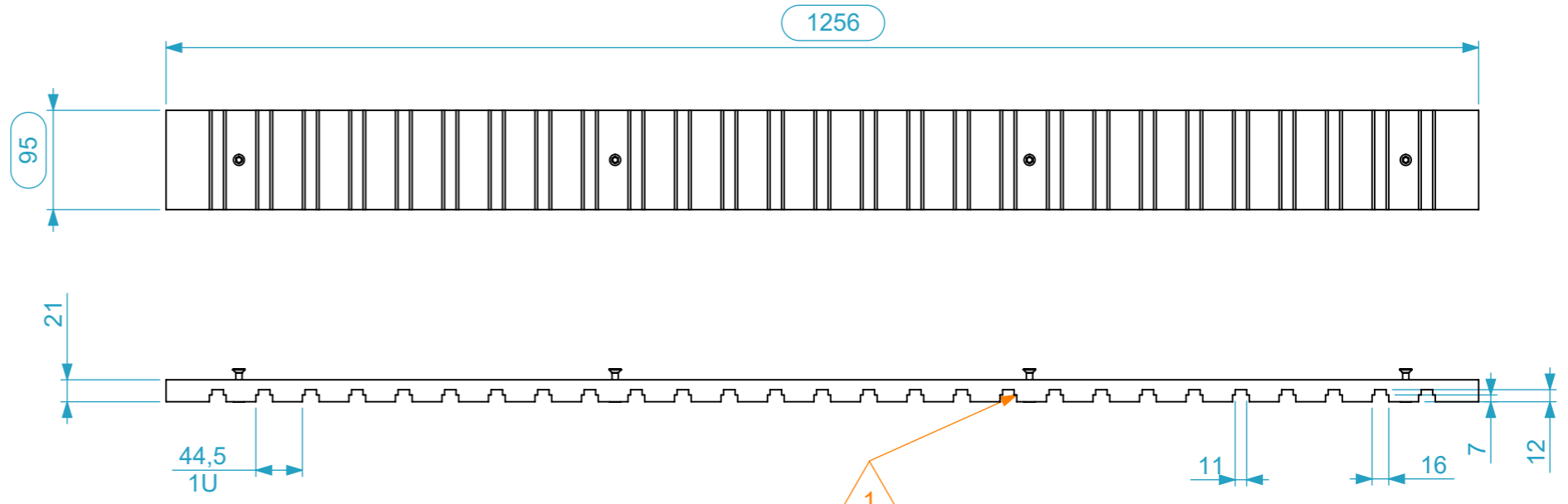


Weight	5.9 kg
Wall Thickness	10mm

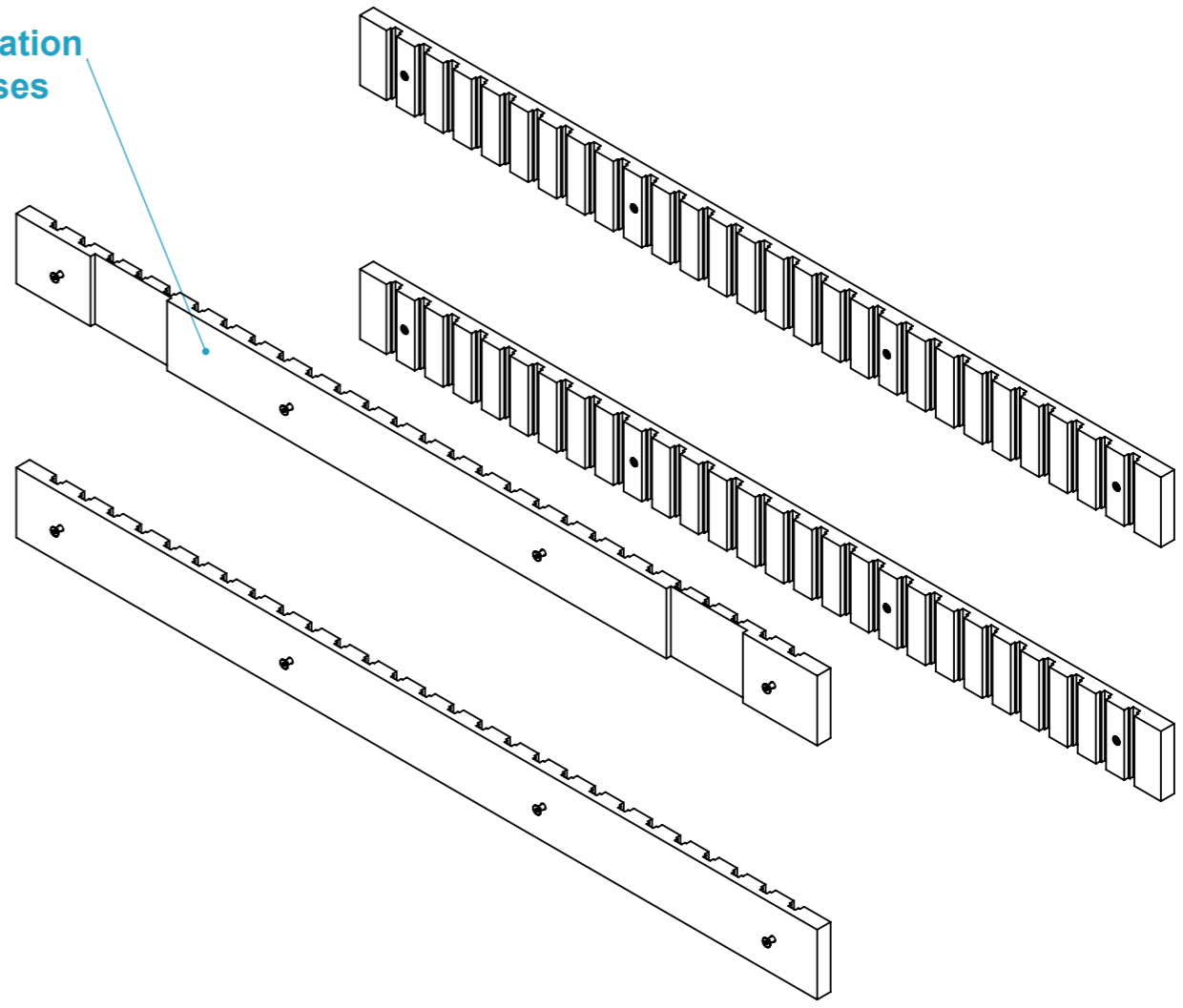
Revision Table			
Rev.	Description	Date	Draw
1	Spacing of the rails changed to be compatible with RTK Trunk Racks; Thickness changes from 18 to 21mm	09/04/2020	Alexandre



Adjustable separation rails for trunk cases

Compatible with: Trunk Racks RTK

Compatible with: Dividing wall for trunk D01



This drawing must not be copied or disclosed without consent of the owner	Drawn by	alexandre	Date	04/03/2022
	Reference	R01.130		
	Scale	1:10	units in mm	DO NOT SCALE
1st Angle projection	general tolerance	0.8mm		
Kit régus para ML 130				

