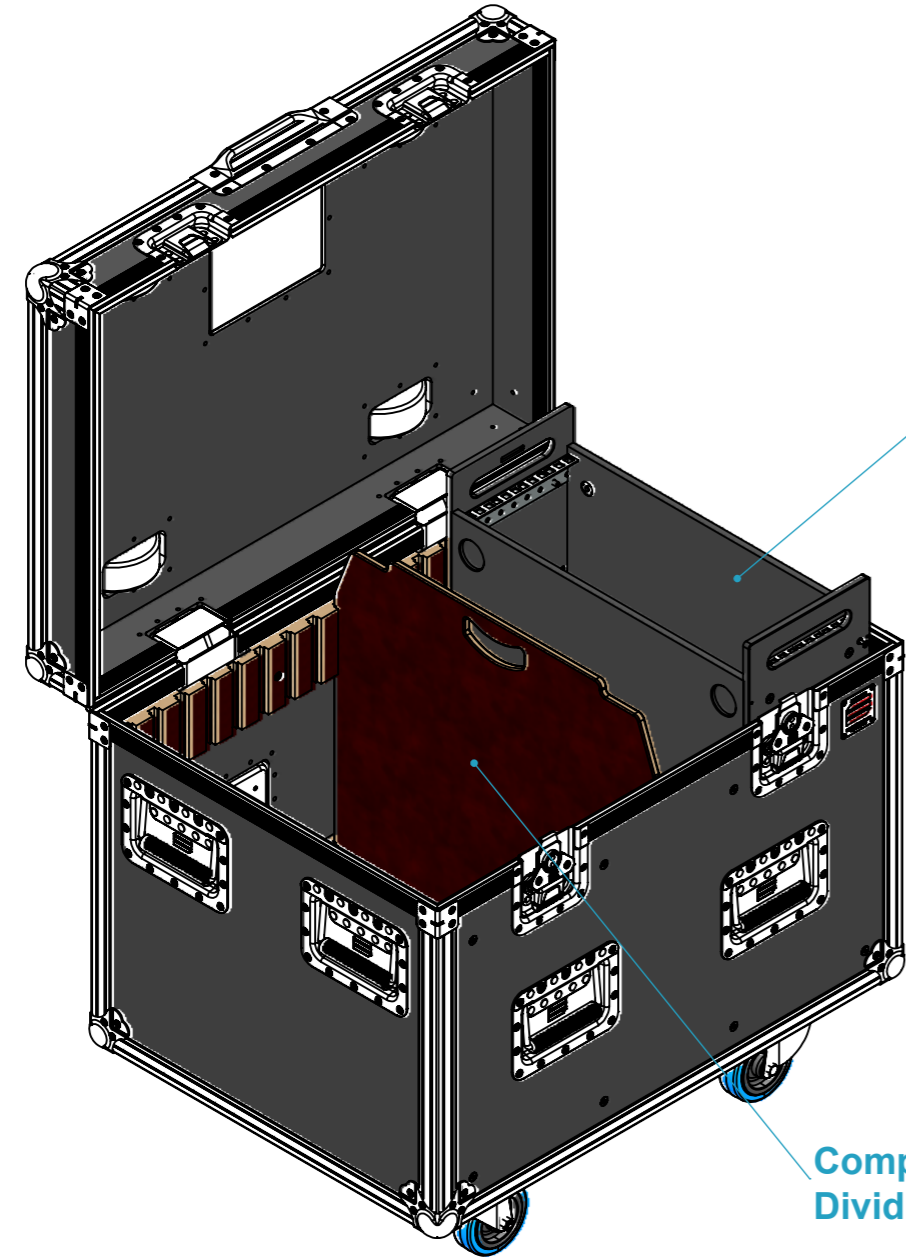
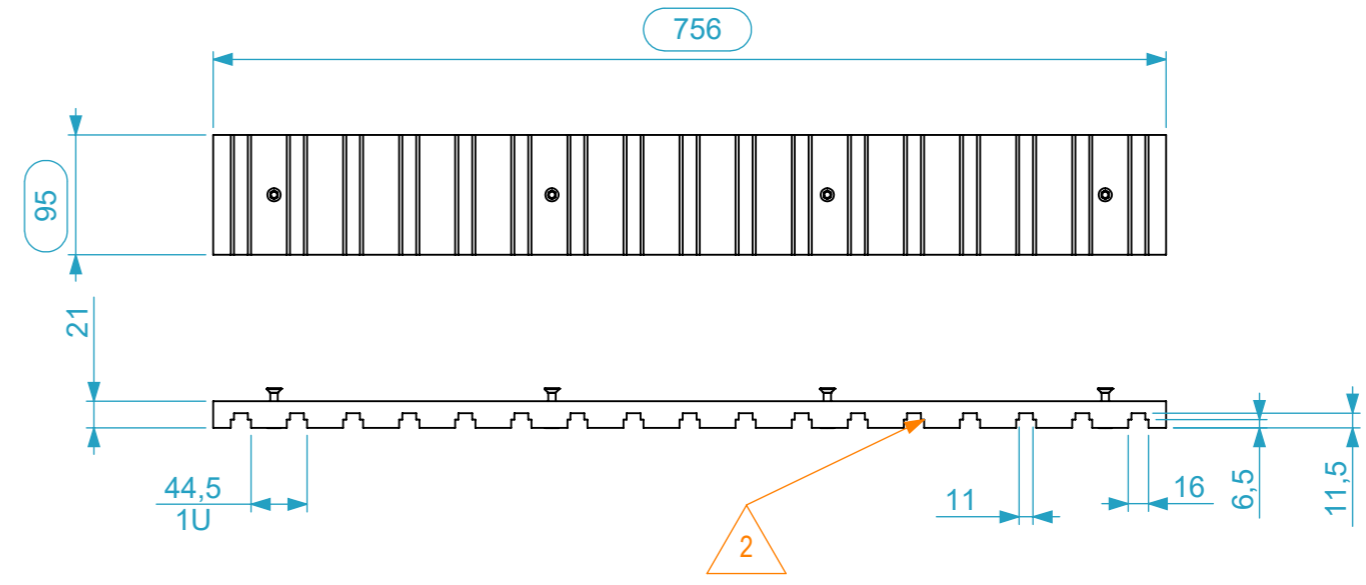


Weight	5.4 kg
Wall Thickness	10mm

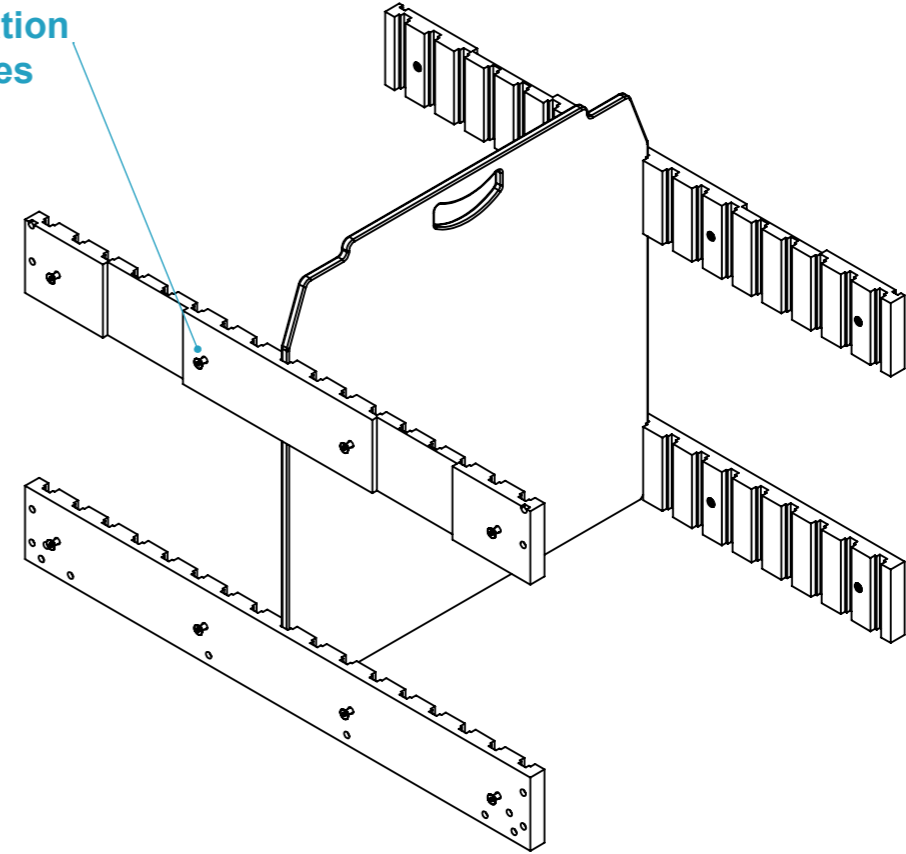
Revision Table			
Rev.	Description	Date	Draw
2	Spacing of the rails changed to be compatible with RTK Trunk Racks; Thickness changes from 18 to 21mm. Added recesses for the rivets.	27/06/2022	Alexandre




Compatible with:  
Trunk Racks RTK

Compatible with:  
Dividing wall for trunk D01

Adjustable separation  
rails for trunk cases



This drawing must not be copied or disclosed without consent of the owner	Drawn by	Paula Almeida	Date	14/04/2023
	Reference	R01.080		
	Scale	1:10	units in mm	DO NOT SCALE
1st Angle projection	Régua para ML 80		general tolerance	0.8mm

  
**santosom**  
 PROFESSIONAL CASES