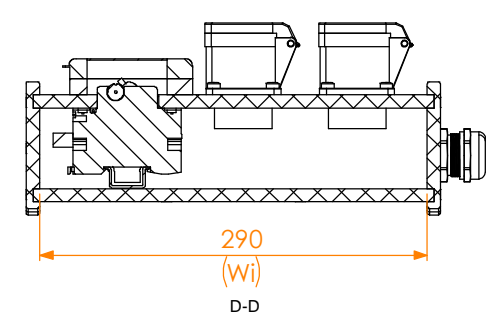
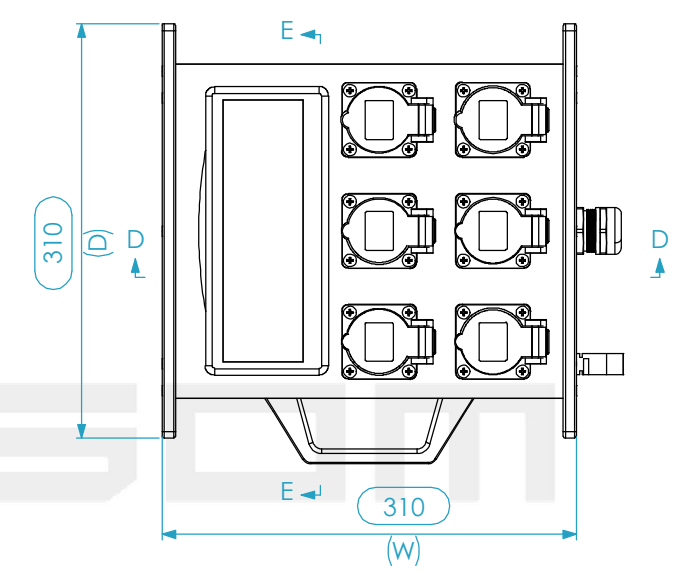
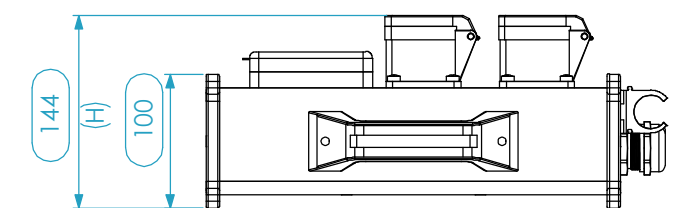
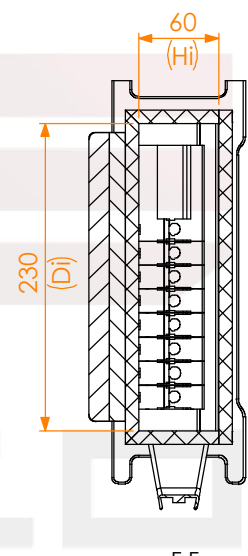
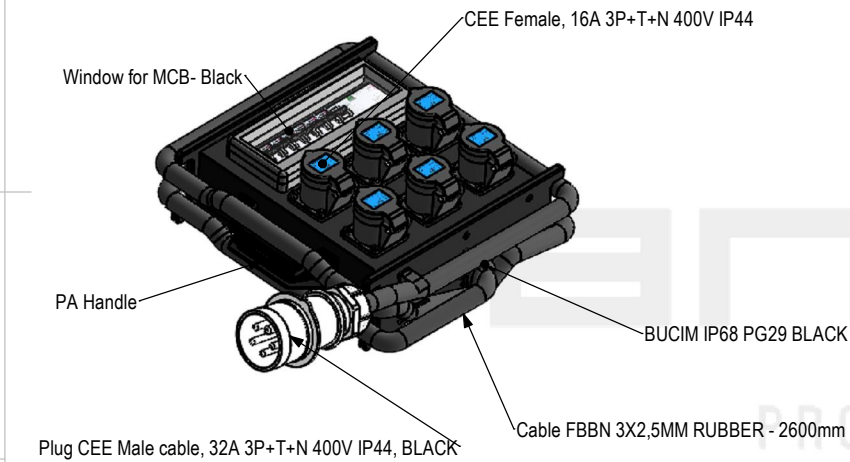
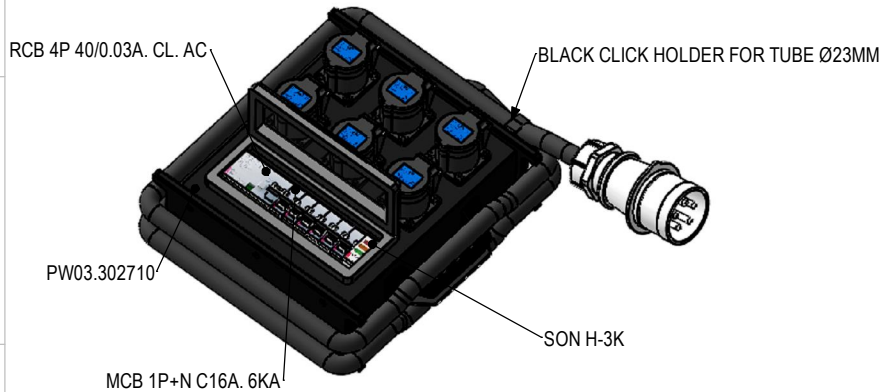


Internal Dimensions		
Width	Depth	Height
290	230	60
Weight	Approx. 0.17Kg	
Wall Thickness	10mm	



Hardware		
Qty	Description	Ref.
6	CEE Female, 16A 3P+T+N 400V IP44	EC.CEE29
6	MCB 1P+N C16A. 6KA	ECD.ETIDJ2P16
1	Window for MCB- Black	ECD.PC9006509S
1	MOUNTING RAIL Omega	PERFIL.TS35
1	BUCIM IP68 PG29 BLACK	EC.BPG29
1	Cable FBBN 3X2,5MM RUBBER - 2600mm	CABO.3X2.5
1	PA Handle	Puxador.1001
1	Plug CEE Male cable, 32A 3P+T+N 400V IP44, BLACK	EC.CEE10
1	RCB 4P 40/0.03A. CL. AC	ECD.ETIDF4P40.03
1	SON H-3K	ECD.ETSONH3K
1	BLACK CLICK HOLDER FOR TUBE Ø23MM	CLAMP.T023

General External Dimensions  
Usable Inner Dimensions (UID)

This drawing must not be copied or disclosed without consent of the owner

Name	Catarina Henriques	Date	11/05/2018
Drawn by			
Reference	PWD.3206.06		
Scale	1:4	units in mm	DO NOT SCALE
		general tolerance	0.8mm
1st Angle projection	CAIXA DE DISTRIBUIÇÃO, CEE 32A 5PIN/OUT 6XCEE 16A 3PIN		

