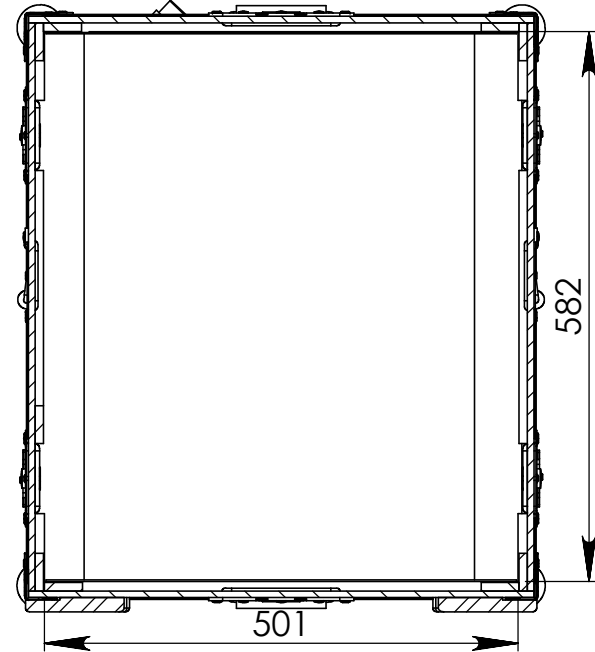
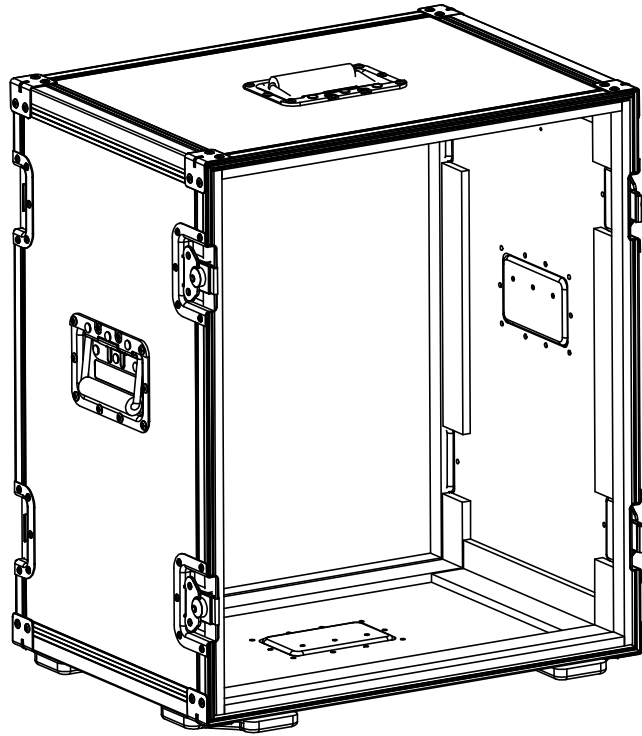


Interior dimensions

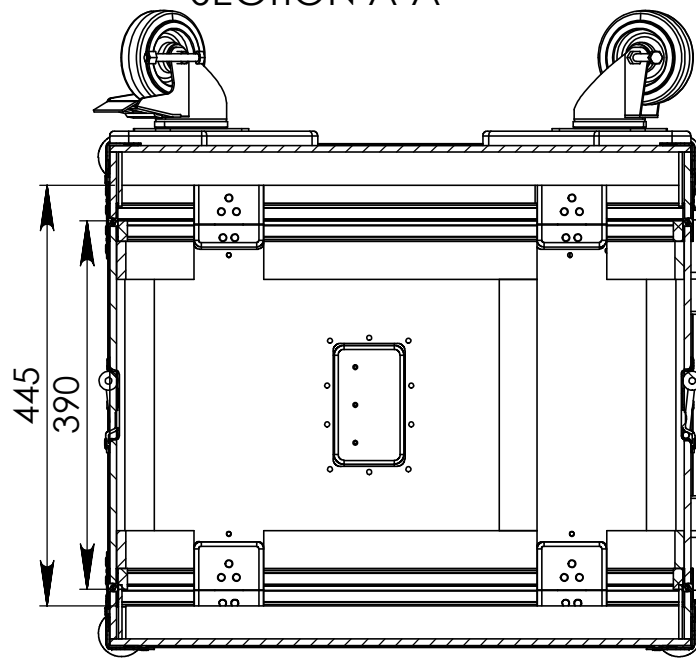
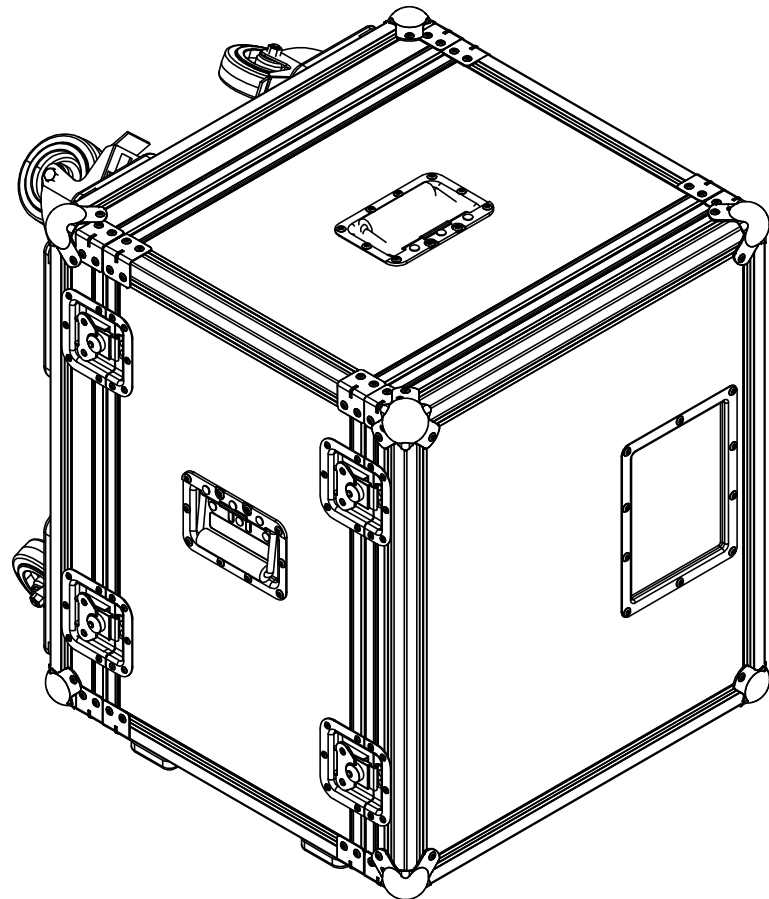
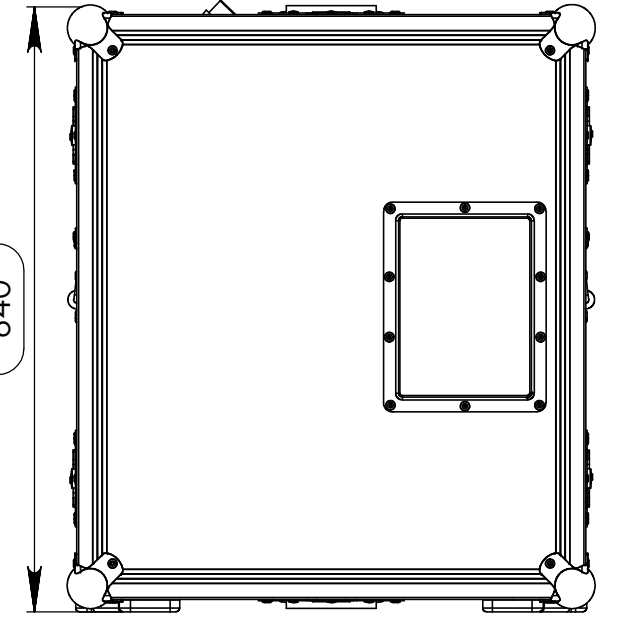
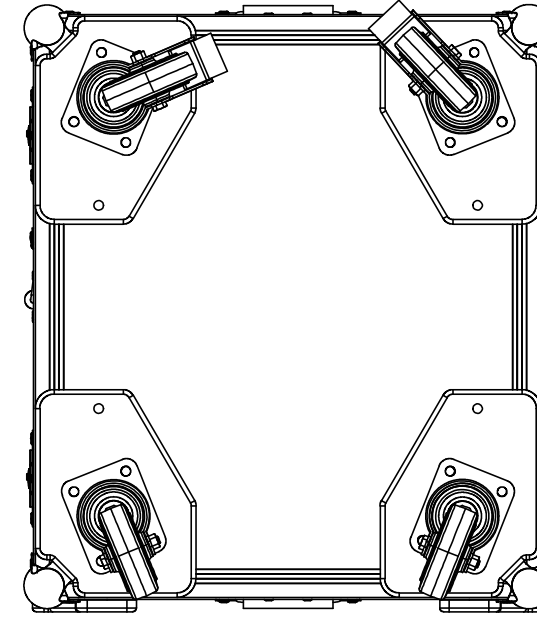
Width	Depth	Height
501	445	582
Weight	Approx. 14 Kg	
Wall Thickness	7mm	

REVISIONS

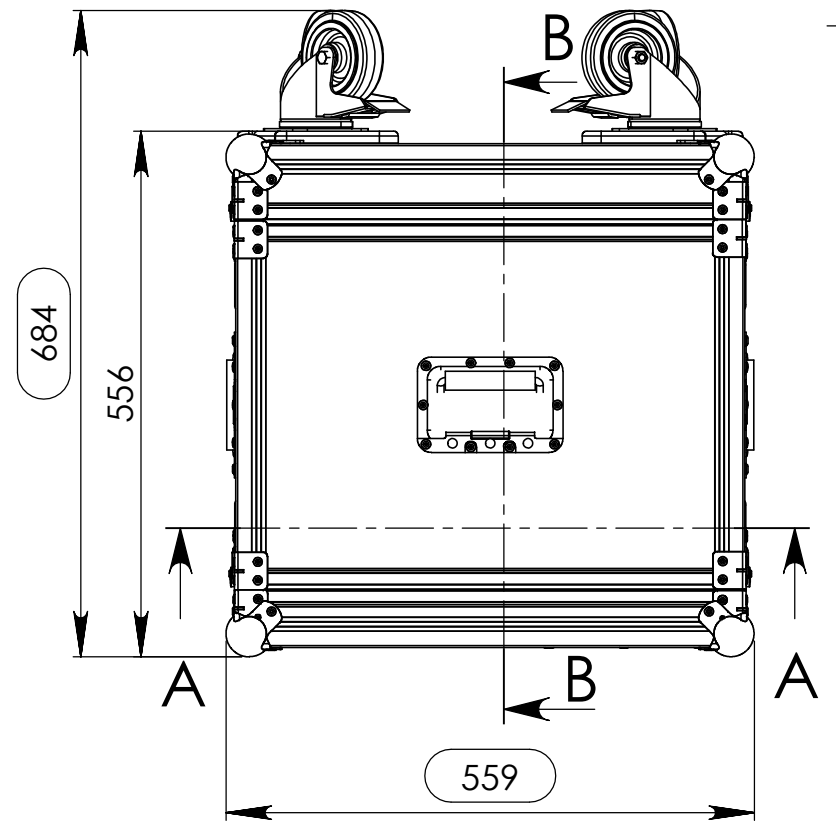
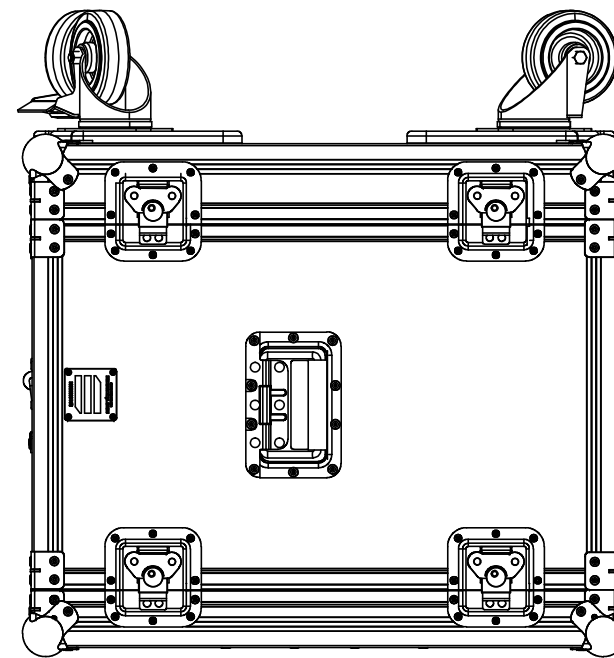
ZONE	REV.	DESCRIPTION	DATE	APPROVED
	1	Final Drawing	19/01/2015	Carlos Rodrigues



SECTION A-A



SECTION B-B



Material	Name	Date
	projects	19-01-2015
Reference	PWC52.6312.00	
This drawing must not be copied or disclosed without consent of the owner	Scale	units in mm
	1:8	DO NOT SCALE
	general tolerance	0.8mm
1st Angle projection	POWER CASE MOD52 PARA QUADRO PW04.6312.00	

