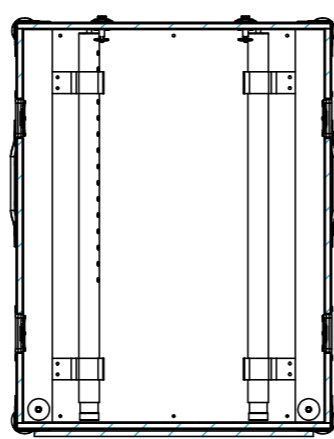
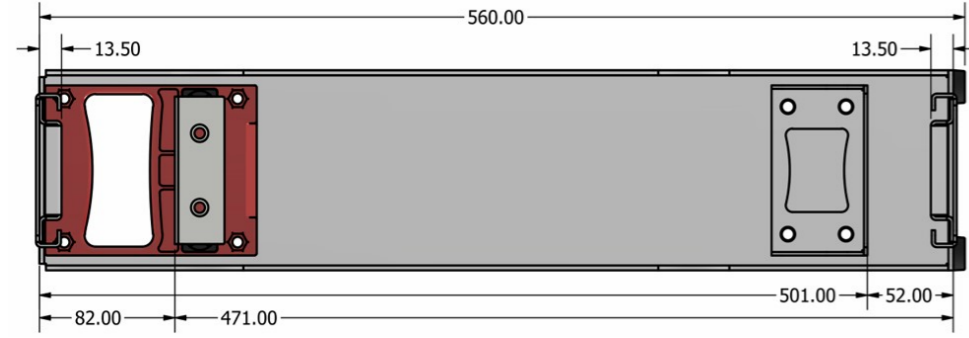
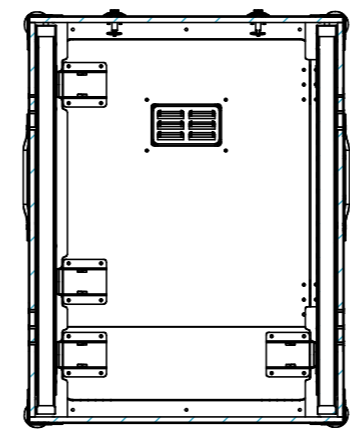


Internal Dimensions		
Width	Depth	Height
524	561	720
Weight	Approx. 43 Kg	
Wall Thickness		10mm

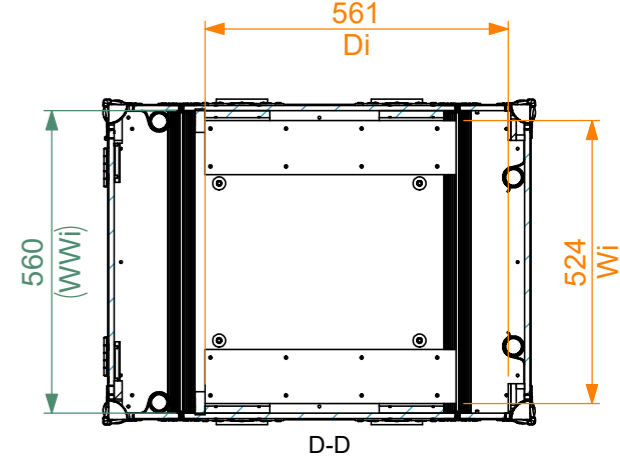
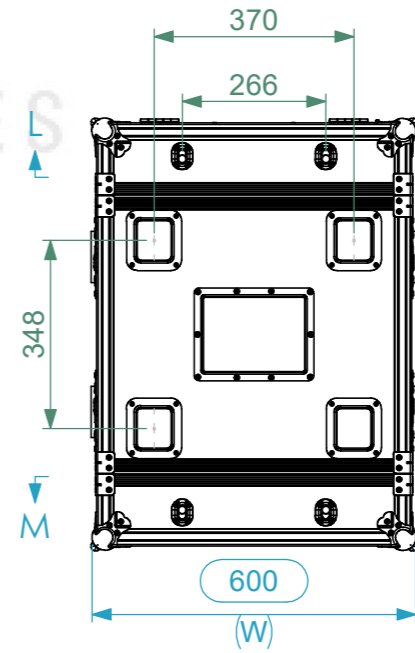
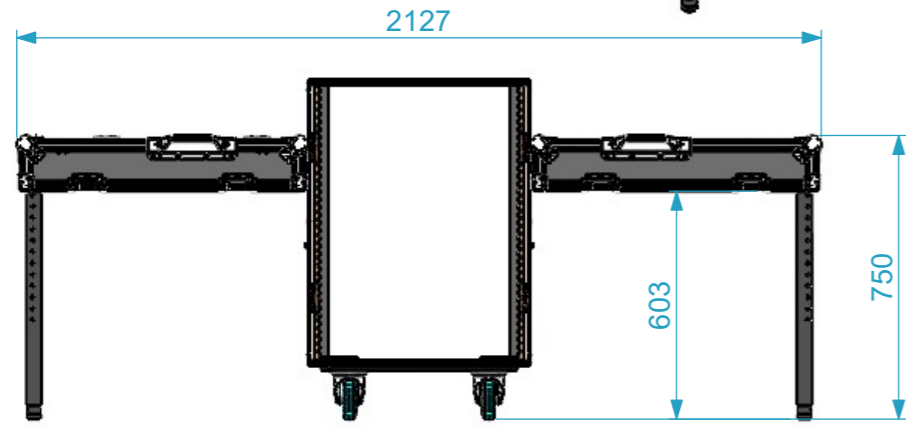
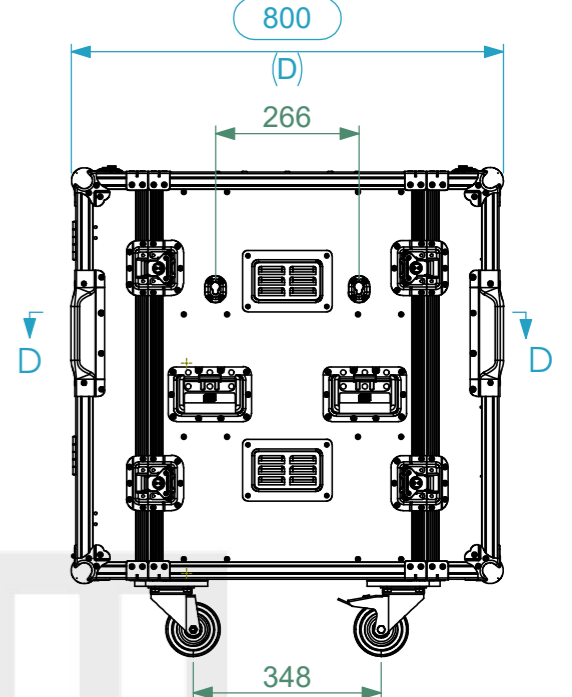
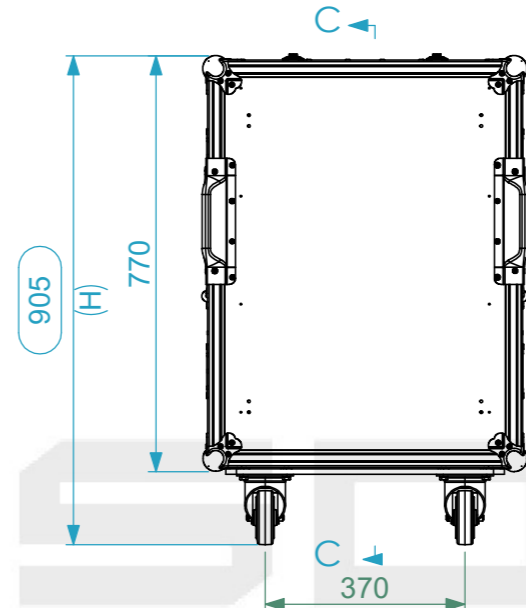
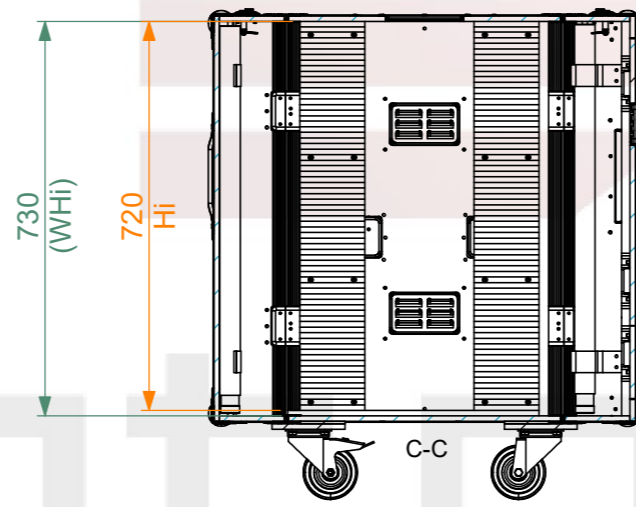
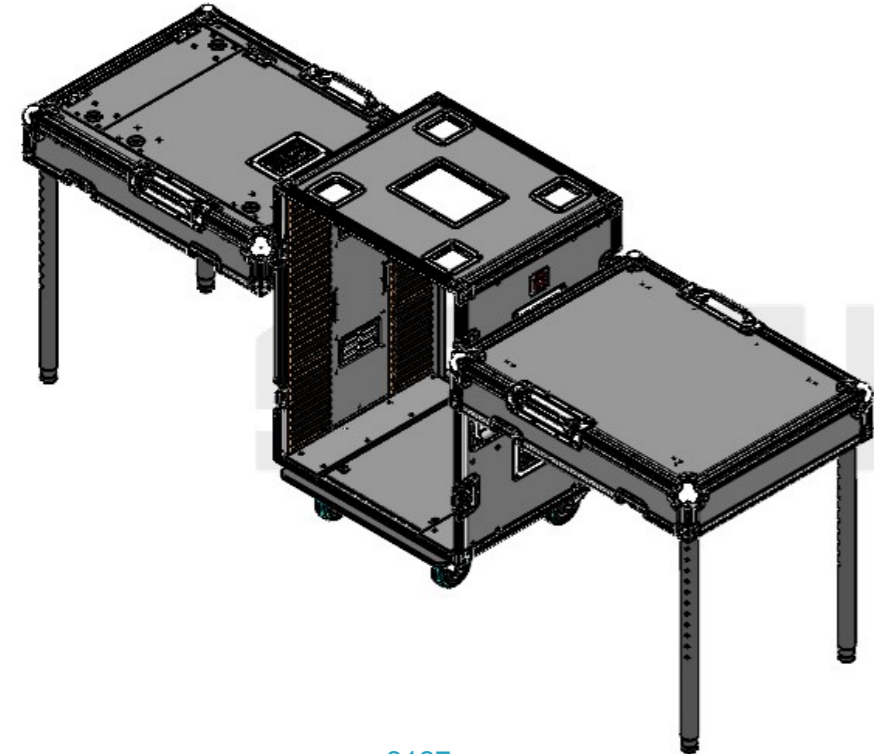
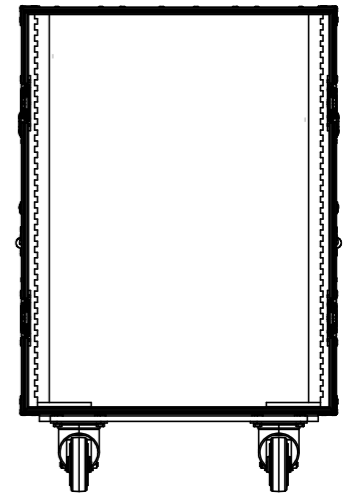
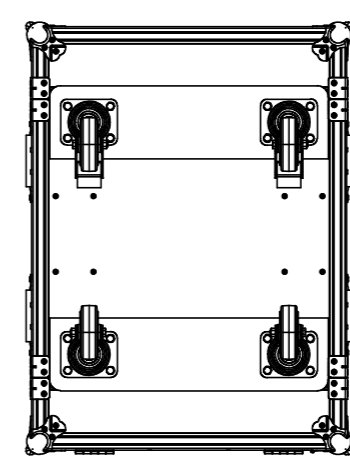
Rufo AluPro



FRONT
M-M



BACK
L-L



General External Dimensions		Usable Inner Dimensions		Wood Inner Dimensions	
W	Width	Wi	Inside Width	WWi	Wood Inside Width
D	Depth	Di	Inside Depth	WDi	Wood Inside Depth
H	Height	Hi	Inside Height	WHi	Wood Inside Height

A3 This drawing must not be copied or disclosed without consent of the owner

Name	Date
Drawn by: jose.couto	09/06/2026
Reference: PTSC2.0606077	
Scale: 1:14	units in mm, general tolerance 0.8mm
Flight case 60x60x80 for Trunk Rack	

